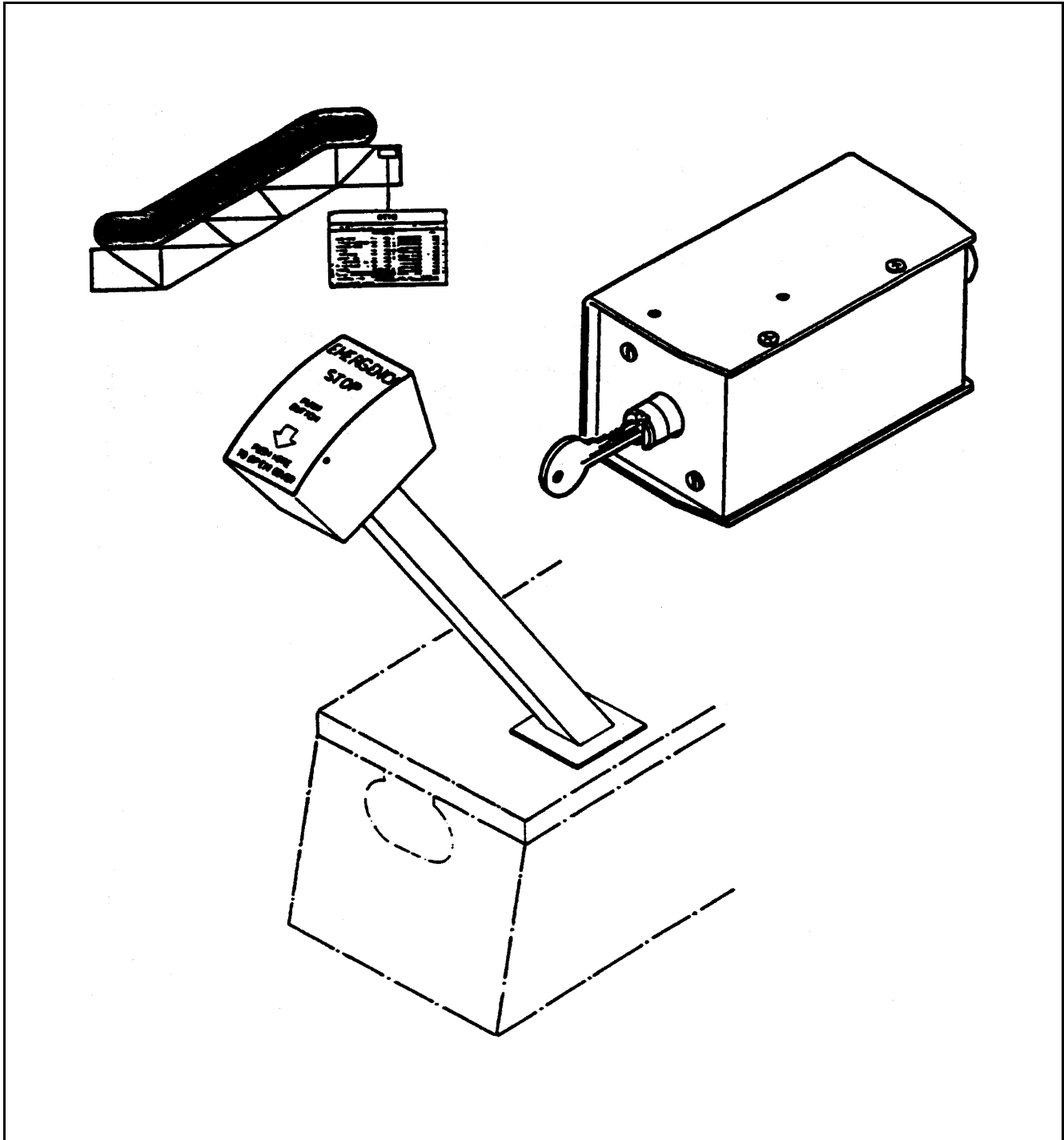


# Escalator Operating Panel NAO 506

Spare Parts Leaflet

50-9703DM

July 2003 / Page 1 of 3



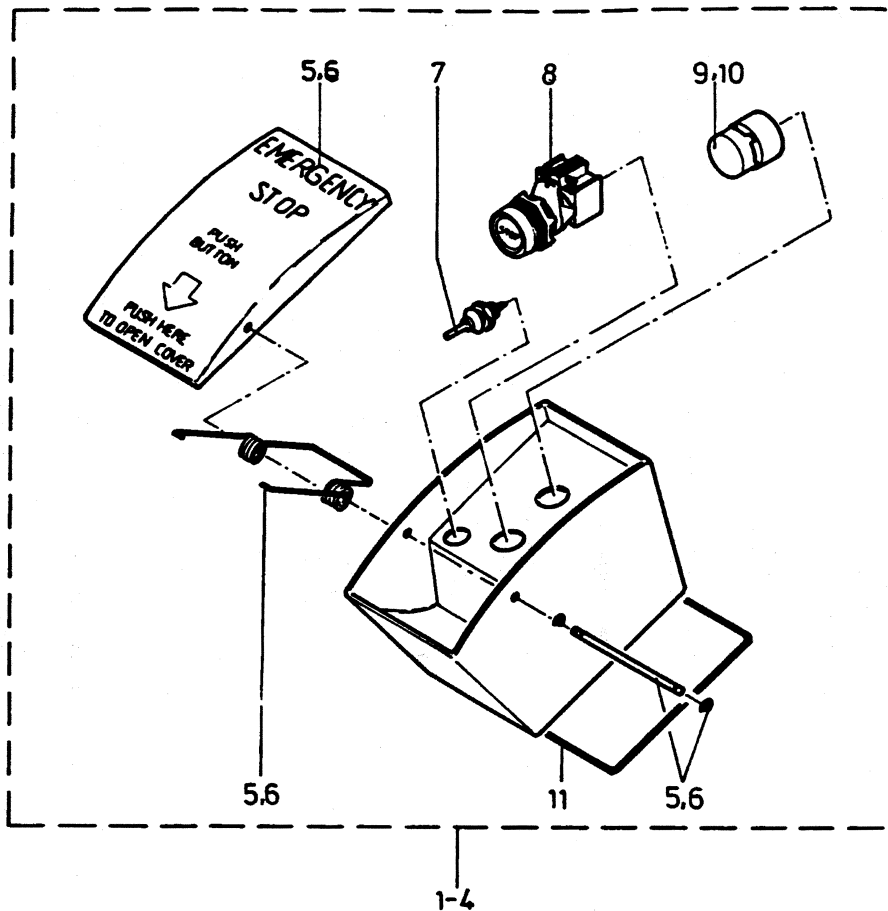
**OTIS**

**Safety First!**

**OEC Berlin**  
Otis Elevator Company  
Berlin, Germany

**50-9703DM**

# Escalator Operating Panel NAO 506

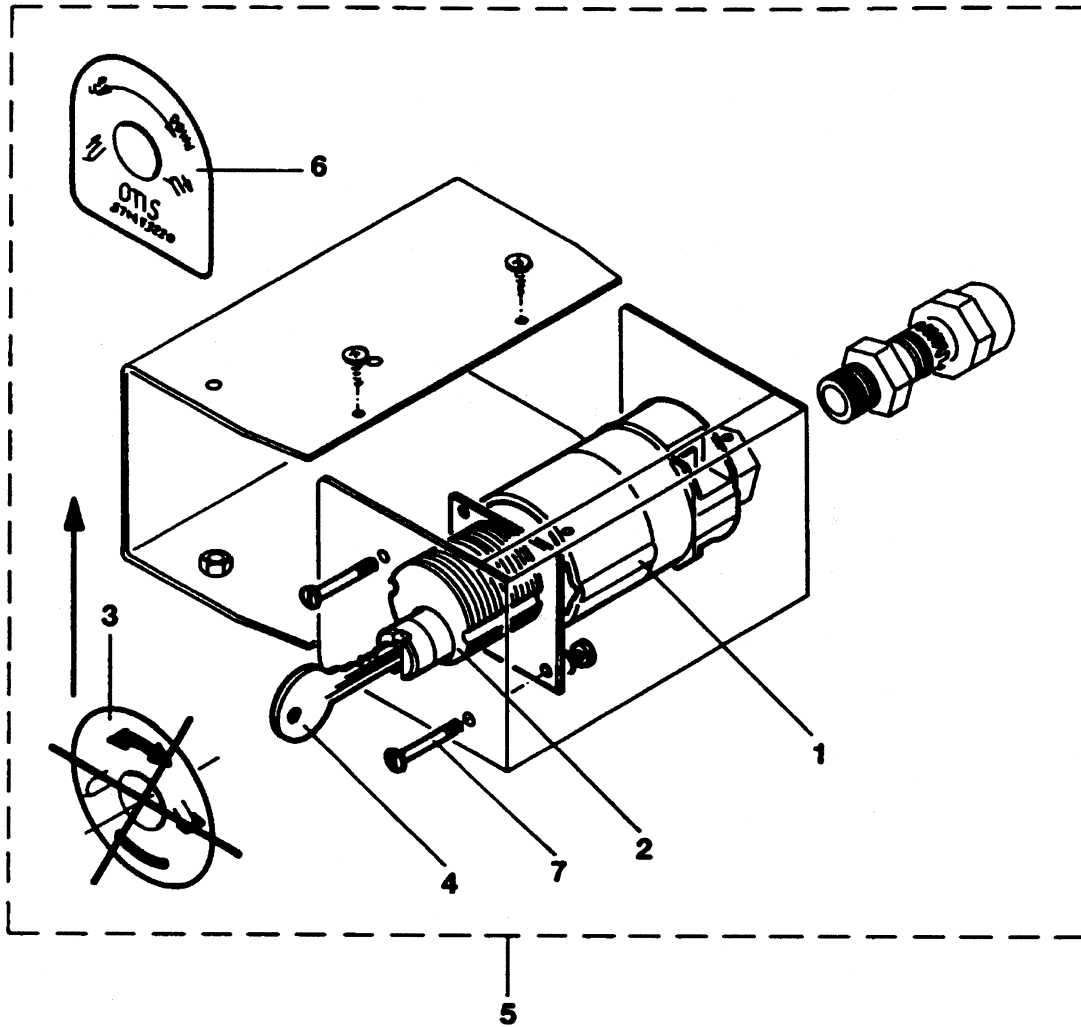


**G. 01**

REF. No.	PART No.	DESCRIPTION
1	9703DM4	Box compl. 220 V/AC English self-adhesive label
2	9703DM26	Box compl. 220 V/AC English & French self-adhesive label
3	9703DM27	Box compl. 24 V/AC English self-adhesive label
4	9703DM28	Box compl. 24 V/AC English & French self-adhesive label
5	GO308HL4	Cover and Hardware English self-adhesive label
6	GO308HL5	Cover and Hardware English self-adhesive label
7	---	Switch -176933
8	GOA323AJ1	Push Button, Red, Marked "STOP"
9	GAA269V1	Buzzer 24 V/AC
10	---	Buzzer 220 V/AC -176925
11	---	O-Ring 130, 0X3.0 70NBR/769 -176941

**50-9703DM**

# Escalator Operating Panel NAO 506



G. 01		
REF. No.	PART No.	DESCRIPTION
1	GO177BN1	Switch
2	GO431BH1	Special Lock, Key Operated
3	GO102RV4	Self Adhesive Label
4	GO194C1	Key (Otis ZM 686-1)
5	9703JM1	Starting Key Contact compl.
6	GO102XF2	Self-Adhesive Label
7	GO2215AP7	Hardware