

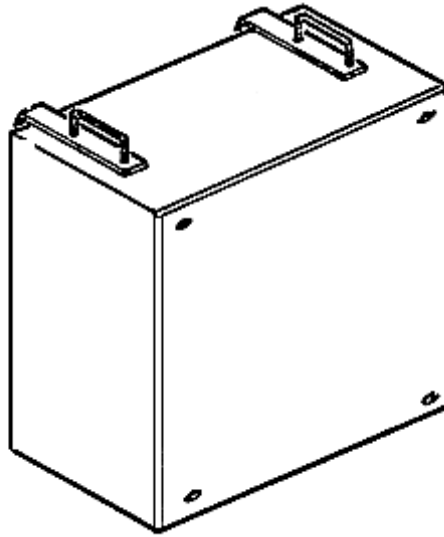
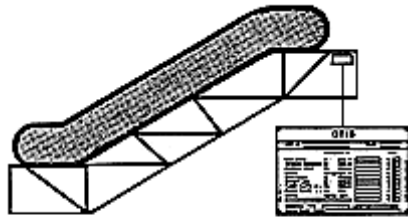
SPL 50-9707R - Electronic Controller Power Cabinet 2

Unpublished Work - © Otis Elevator Company. Any unauthorized reproduction, disclosure, or distribution of copies or content by any person of any portion of this work may be a violation of Copyright Law of the United States of America. All rights reserved.

506

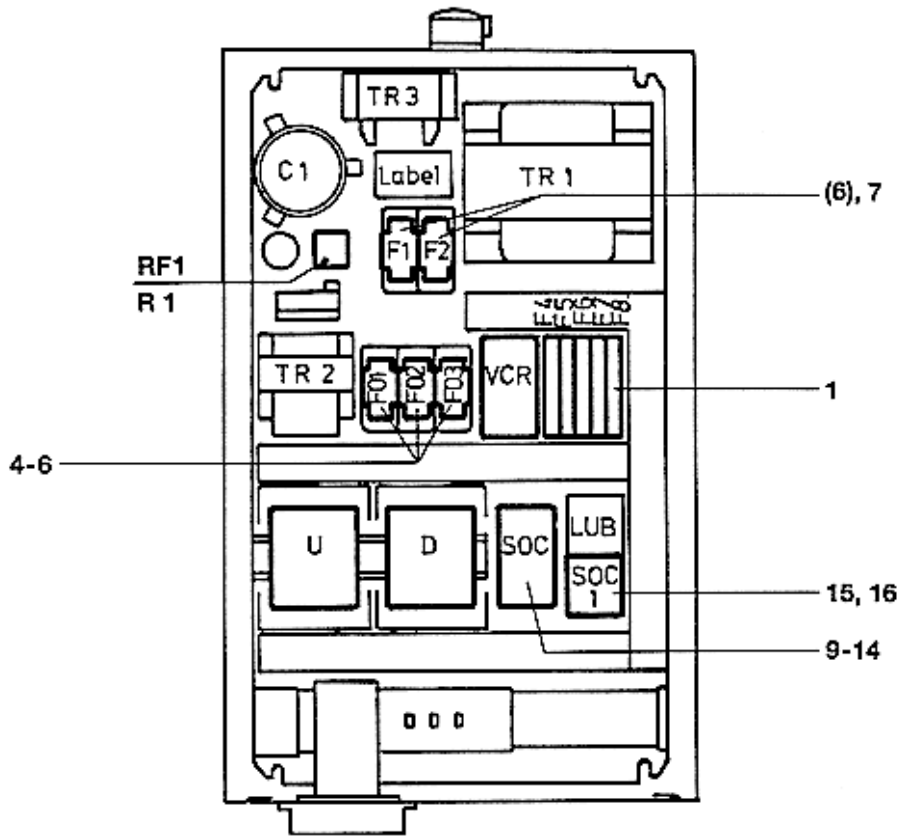
November 1990

Page 1



SPL 50-9707R - Electronic Controller Power Cabinet 2

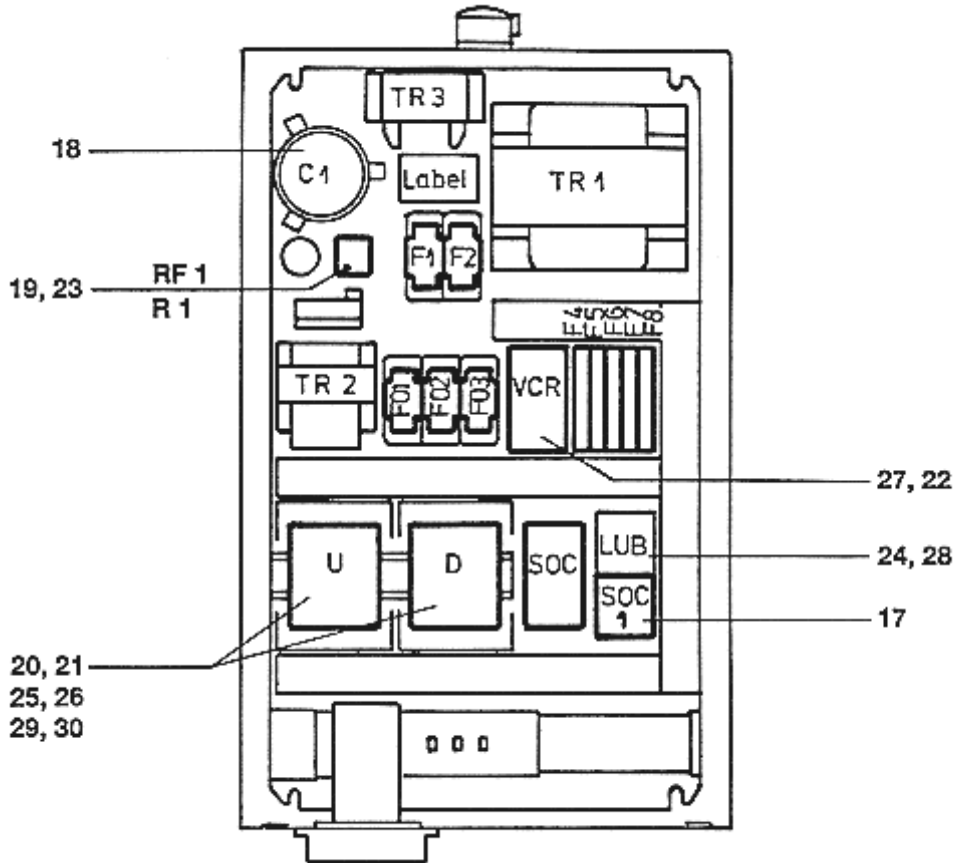
Page 2



VINTAGE G. 01			
REF. No	PART OR ML	DESCRIPTION	POS.
1	GO375AS1 *	Type 201 WA 1A	F4, F6, F7
2	GO375AS2 *	Type 2	F8
3	GO375AS3 *	Type 201 WA 4A	F5
4	GO375AP1	Fuse Volt	U>380 F01-F03
5	GO375AP3	Fuse Volt	U = 380 F01-F03
6	GO375AP5	Fuse Volt	U<380 Volt/U>380 F01-03/F1, F2
7	GO375AP6	Fuse Volt	U = 380 F1, F2
8	GO375AP7	Fuse Volt	U<380 F1, F2
9	GO630E1 *	Therm. Delayed Overload Relay I = 6,3A-10A	SOC
10	GO630E2 *	Therm. Delayed Overload Relay I = 10A-12,5A	SOC
11	GO630E3 *	Therm. Delayed Overload Relay I = 10A-16A	SOC
12	GO630E4 *	Therm. Delayed Overload Relay I = 12,5A-20A	SOC
13	GO630E5 *	Therm. Delayed Overload Relay I = 16A-25A	SOC
14	GO630E7 *	Therm. Delayed Overload Relay I = 25A-40A	SOC
15	GO630G1 *	Motor Protection Lub.	SOC 1
16	GO630G2 *	Motor Protection Lub.	SOC 1

SPL 50-9707R - Electronic Controller Power Cabinet 2

Page 3



VINTAGE G. 01					
REF. No	PART OR ML	DESCRIPTION		POS.	
17	GO630G3 *	Motor Protection Lub.		SOC 1	
18	GO226BJ1	PEH	169RV-4680QU2	6800 μ F/200V	C 1
19	GO230AE2 *	Rectifier		RF 1	
20	GO634B1	RC-Networks	FOR 3TF	U, D	
21	GO634B2	RC-Element	FOR 3TB	U, D	
22	GO634B6	RC-Element	FOR 3TH80	VCR	
23	GO232AD2	Varistor		R 1	
24	GO604A1	Varistor	FOR 3TF20	LUB	
25	vGO A 613 AT 222 *	AC Contactor	3TF4622-0A-G1	U, D	
26	GO613AG222 *	AC Contactor	3TB4417-0A-G1	U, D	
27	GO613AN222 *	Contactor Relay	3TH8022-0A-G1	VCR	
28	GO613DE102	AC Contactor	3TF2010-0A-G	LUB	
29	GOA156BT4	Aux. Contact Block Left	FOR 3TF	U, D	
30	GO156CL1	Aux. Contact Block Left	FOR 3TB	U, D	