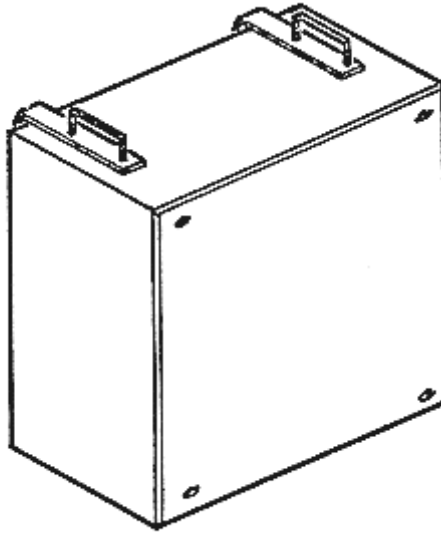
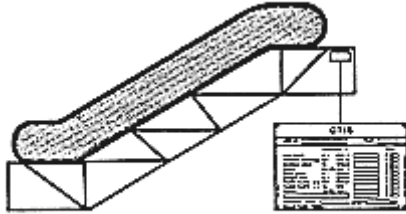


SPL 50-9707S - NAO 506 Electronic Controller Control Cabinet

Unpublished Work - © Otis Elevator Company. Any unauthorized reproduction, disclosure, or distribution of copies or content by any person of any portion of this work may be a violation of Copyright Law of the United States of America. All rights reserved.

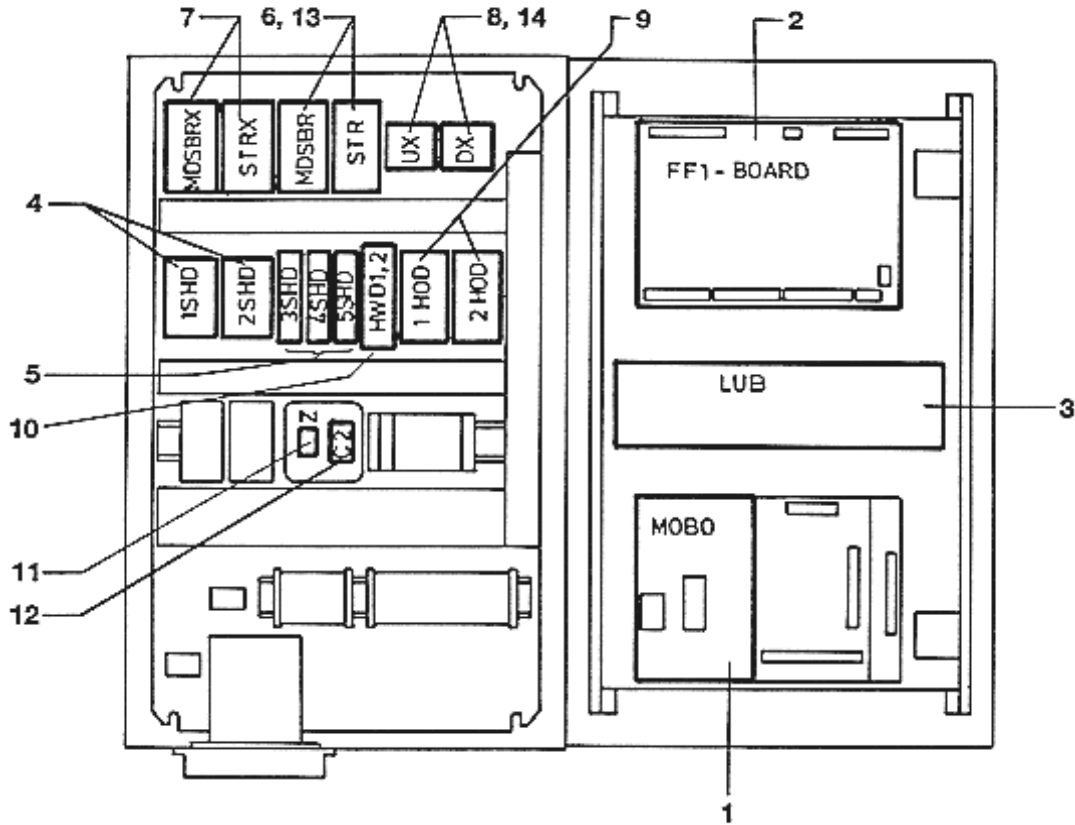
November 1990

Page 1



SPL 50-9707S - NAO 506 Electronic Controller Control Cabinet

Page 2



VINTAGE G.01			
REF. No	PART OR ML	DESCRIPTION	POS.
1	9707C1 *	PCB Motherboard	MOBO
2	9707A1	Fault Finder PCB	FF 1
3	9707G1	PC Board LUB	LUB
4	GO630D1	Speed Governor	SHD 1 SHD 2
5	GO613CJ1	Time Relay	SHD 3, 4, 5
6	GO613AN2210 *	Contactory Relay	MDSBR,STR
7	GO613CK220 *	Contactory Relay	MDSBRX, STRX
8	GO613CE402 *	Contactory Relay	UX, DX
9	GO613CM1	Control Device	HOD 1, HOD 2
10	GO613CL1	Relay	HWD 1, HWD 2
11	GO606J1	Z-Diode	Z
12	GO226T205	Capacitor 2200 MF, 40 VDC	C 2
13	GO634B6	RC-Element For 3 TH 80	MDSBR, STR
14	GO604A1	Varistor For 3 TH 20	UX, DX