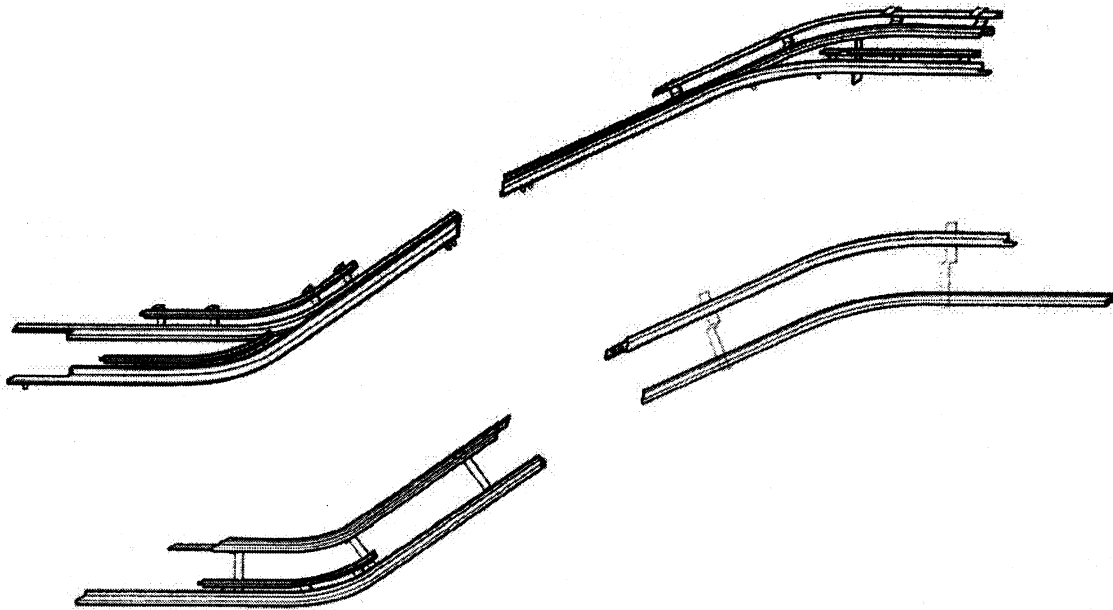


**OCE521 Escalator
Track**

Spare Parts Leaflet

50-ASA03C382

01/18/2007 / Page 1 of 6



OTIS

Safety First!

**Escalator Department
Otis Elevator Company
Changwon, Korea**

Leaflet Description

OCE521 Escalator Track

Leaflet Revisions

Date Revised	Subject Matter Expert	Reason for Revision
January 18, 2007		Release

Related Drawings

Drawing No.	Title	Drawing No.	Title
ASA00A067	Raul(L) Asy	ASA00A068	Raul(U) Asy

Related Documents

Document ID	Title
BOM	

Subject Matter Expert

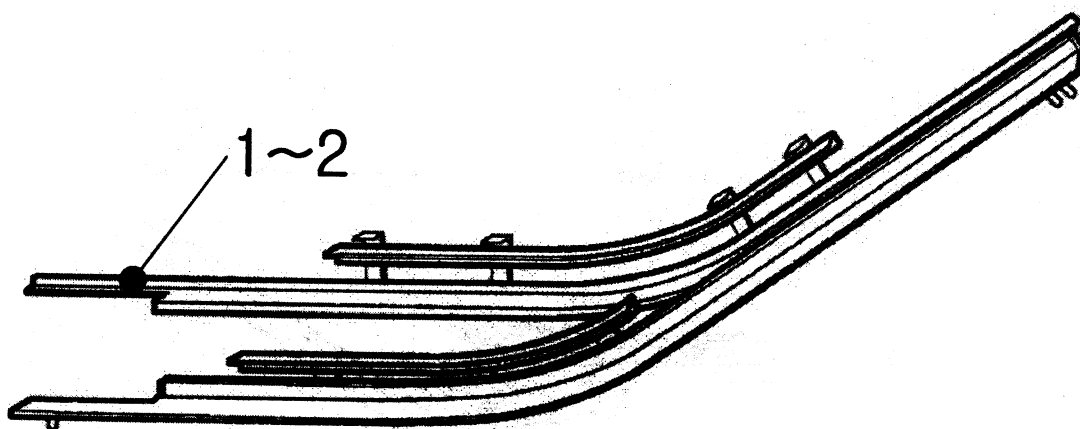
Name	Department

About Spare Parts Leaflets...

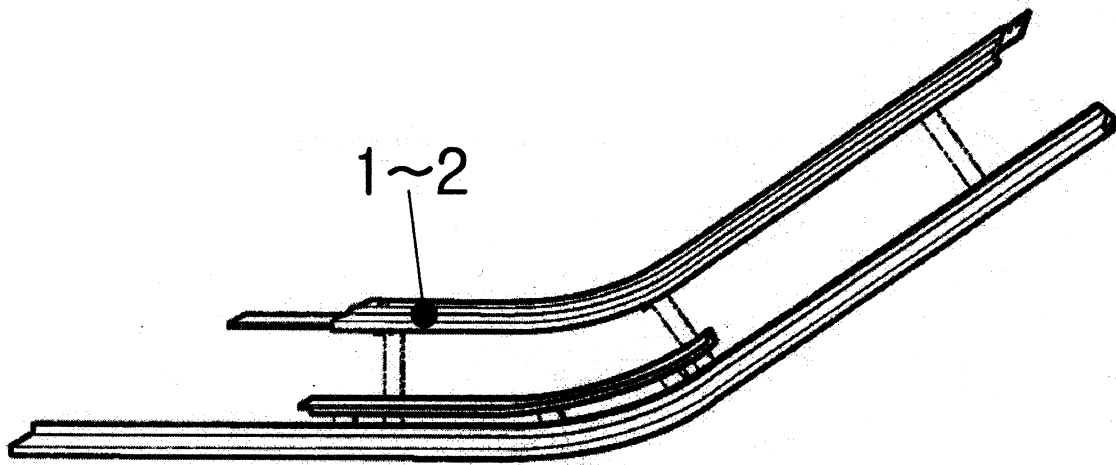
This document lists the lowest replaceable units (LRUs) for the standard version of the product. The LRUs are chosen by a team of Otis associates representing engineering and manufacturing.

While goal of this document is to make parts identification as easy as possible, the document cannot be all-inclusive. Elevator and escalator contracts classified as "special" or "custom" are not addressed here. For such contracts, please refer to specified information, the contract folder, TIPs, Field Education Articles, Construction Letters, etc. for further information.

If you have any suggestions about this document, please contact the subject matter expert listed on this page.



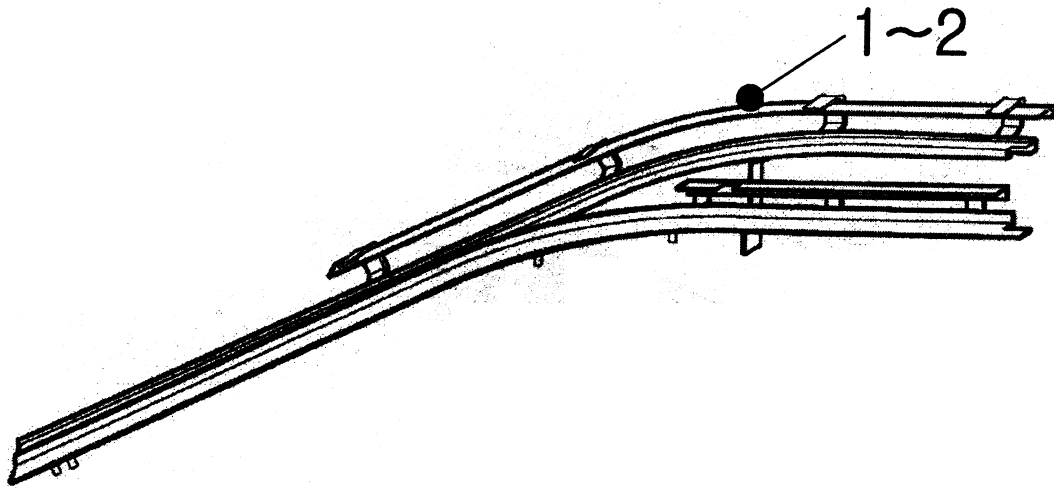
W/O VINTAGE		
REF. No.	PART No.	DESCRIPTION
1	ASA00B297A	Lower Track #1, 2 Left
2	ASA00B297B	Lower Track #1, 2 Right



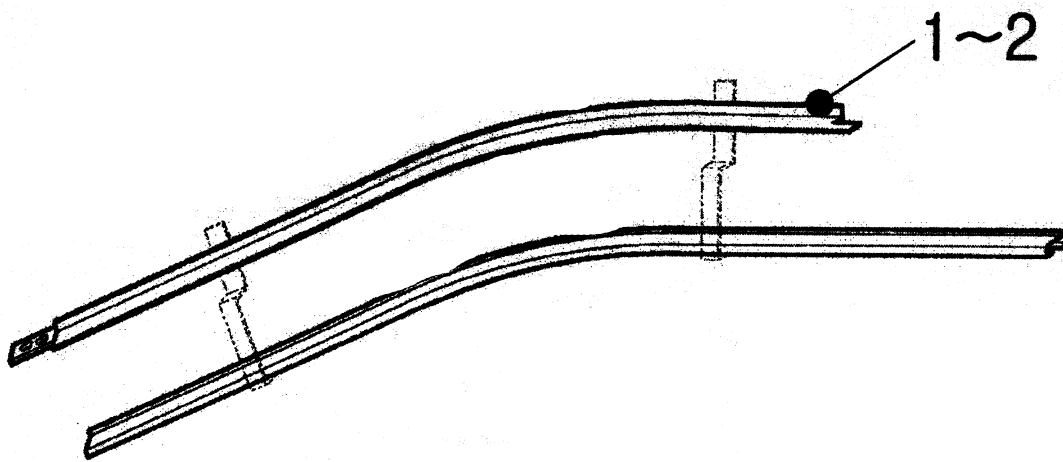
W/O VINTAGE		
REF. No.	PART No.	DESCRIPTION
1	ASA00B298A	Lower Track #3, 4 Left
2	ASA00B298B	Lower Track #3, 4 Right

OCE521 Escalator Track

50-ASA03C382



W/O VINTAGE		
REF. No.	PART No.	DESCRIPTION
1	ASA00B295A	Upper Track #1, 2 Left
2	ASA00B295B	Upper Track #1, 2 Right



W/O VINTAGE		
REF. No.	PART No.	DESCRIPTION
1	ASA00B296A	Upper Track #3, 4 Left
2	ASA00B296B	Upper Track #3, 4 Right