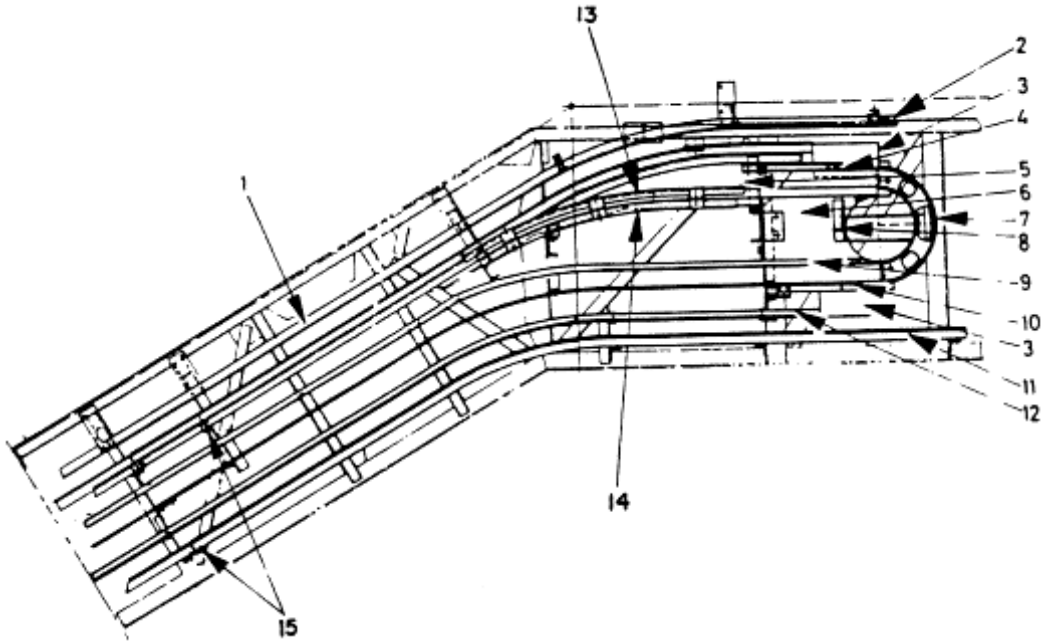


SPL 50-BAA26130D - Track - (Upper Landing) - K2 - 30 - NAO

Unpublished Work - © Otis Elevator Company. Any unauthorized reproduction, disclosure, or distribution of copies or content by any person of any portion of this work may be a violation of Copyright Law of the United States of America. All rights reserved.

February 1990

Page 1



SPL 50-BAA26130D - Track - (Upper Landing) - K2 - 30 - NAO

Page 2

| REF. NUM. | DESCRIPTION | PART NO. |
|------------------|--|--|
| 1 | TRACK UPTHURST | BAA483AP1/2 |
| 2 | TRACK UPTHURST | BAA483J9/10 |
| 3 | TRACK CONNECTING PIECE | GO483JD2/3 |
| 4 | ANGLE | GO272AMT1/2 |
| 5 | ROLLER CHAIN AND TRACKS SUPPORT | BAA26130C5/6 |
| 6 | TRACK CONNECTING IECE | BAA483AM1/2 |
| 7 | TRACK END | GO483JC1 |
| 8 | DISTNCE BRACKET 600 UB-SL 1000 UB-SL | GO272AMM1 O27AMM3 |
| 9 | TRACK UPTHURST | BAA483AV1 |
| | | BAA483P1 |
| 10 | TRACK TRAILER WHEEL RETURN LINE | BAA483S9/10 |
| 11 | TRACK CHAIN WHEEL RETURN LINE | BAA483L1/2 |
| 12 | TRACK UPTHURST | BAA483N1/2 |
| 13 | TRACK UPTHURST | {{BAA483H1/H2(CONF.ESP.) {{BAA484R1/R2(PER.SPEC.) |
| 14 | TRACK UPTHURST | BAA272AX1/2 |
| 15 | T HEAD BOLT | GO63T8 |