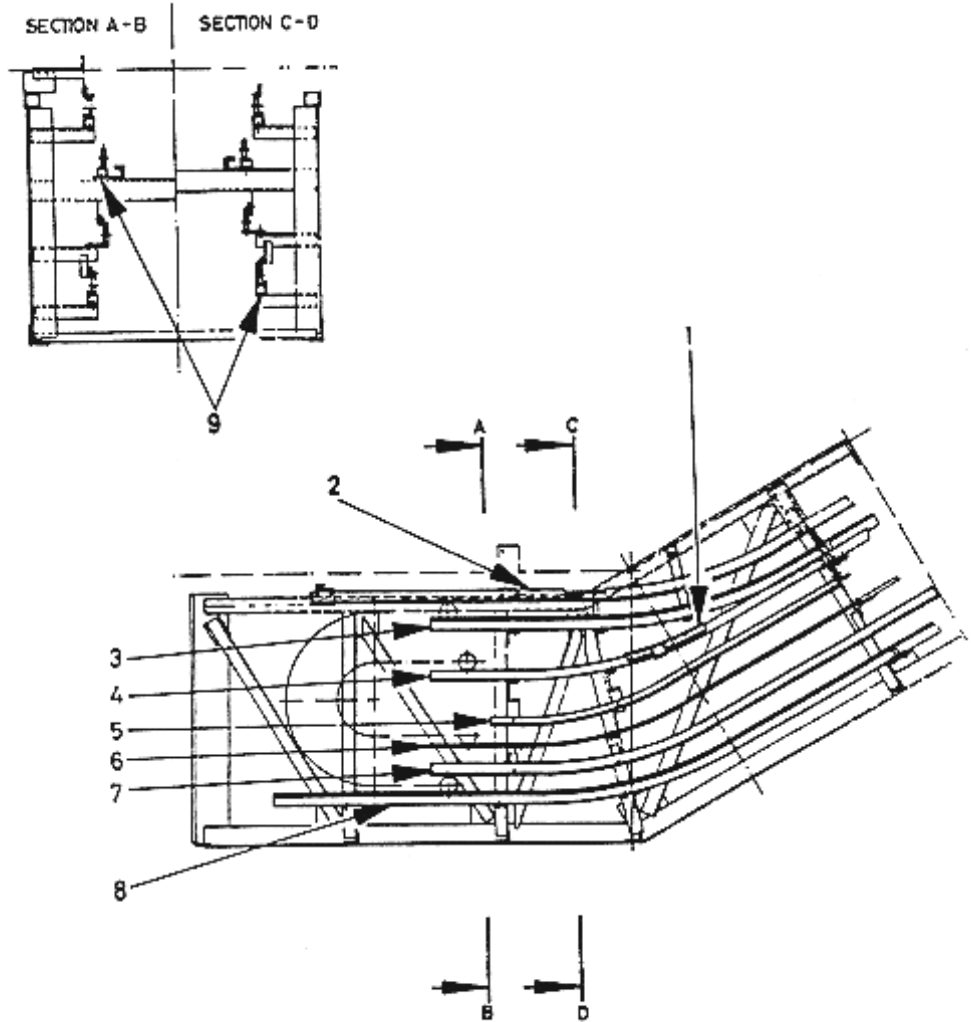


SPL 50-BAA26130F - Track (Lower Landing) - K3 - 30 - NAO

Unpublished Work - © Otis Elevator Company. Any unauthorized reproduction, disclosure, or distribution of copies or content by any person of any portion of this work may be a violation of Copyright Law of the United States of America. All rights reserved.

February 1990

Page 1



SPL 50-BAA26130F - Track (Lower Landing) - K3 - 30 - NAO

Page 2

REF. NUM.	DESCRIPTION	PART NO.
1	TRACK UP THRUST TAILER WHEEL	BAA483G5/G6 BAA483BB1/BB2
2	TRACK UPTHRUST	BAA483AA11/12
3	TRACK UPPER LINE	BAA483AB5/6
4	TRACK UPTHRUST	BAA483AE19/20
5	TRACK RETURN LINE	BAA483AX2
6	TRACK TRAILER WHEEL RETURN LINE	BAA483X11/12
7	TRACK UPTHRUST	BAA483Y3/4
8	TRACK TRAILER WHEEL RETURN LINE	BAA483W3/4
9	T HEAD BOLT A13 DIN 125 A12.5 DIN 6798 M12 DIN 934	GO63T8 03PB181900 03SA182200 43SD182500