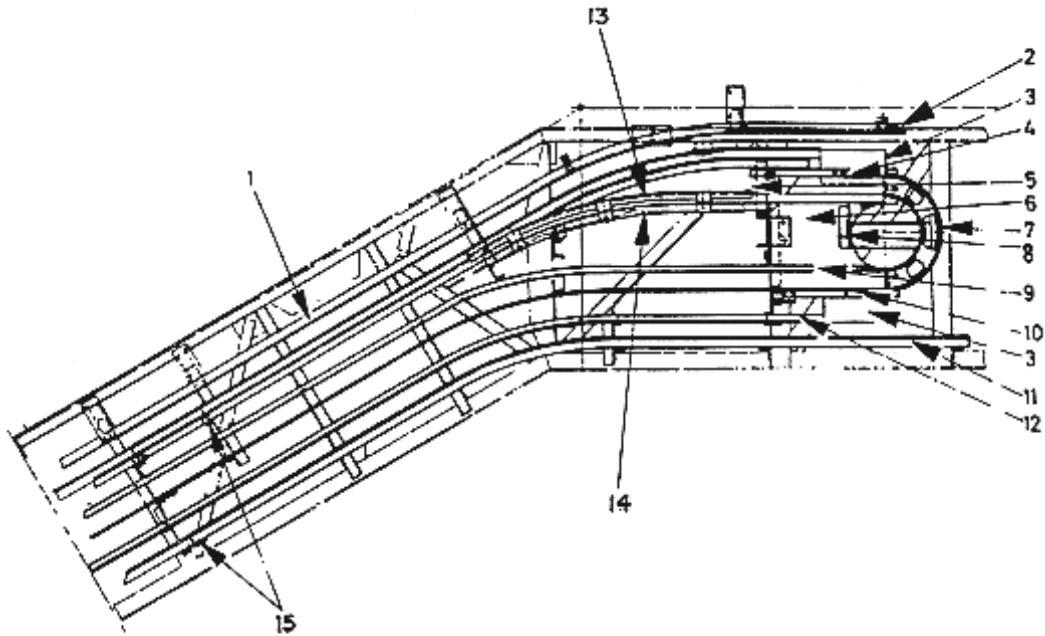


SPL 50-BAA26130G - Track - (Upper Landing) - K3 - 30 - NAO

Unpublished Work - © Otis Elevator Company. Any unauthorized reproduction, disclosure, or distribution of copies or content by any person of any portion of this work may be a violation of Copyright Law of the United States of America. All rights reserved.

February 1990

Page 1



SPL 50-BAA26130G - Track - (Upper Landing) - K3 - 30 - NAO

Page 2

REF. NUM.	DESCRIPTION	PART NO.
1	TRACK UPTHURST	BAA483AP1/2
2	TRACK UPTHURST	BAA483J11/12
3	TRACK CONNECTING PIECE	G0483JD2/3
4	ANGLE	G0272AMT1/2
5	ROLLER CHAIN AND TRACKS SUPPORT	BAA26130C7/8
6	TRACK CONNECTING PIECE	BAA483AM1/2
7	TRACK END	GO483JC1
8	DISTNCE BRACKET 600 UB-SL	GO272AMM1
	1000 UB-SL	GO272AMM3
9	TRACK UPTHURST	BAA483AV2
		BAA483P3
10	TRACK TRAILER WHEEL RETURN LINE	BAA483S11/12
11	TRACK CHAIN WHEEL RETURN LINE	BAA483L5/6
12	TRACK UPTHURST	BAA483N5/6
13	TRACK UPTHURST	BAA483H3/H4 (CONF.ESP.)
		BAA483R3/R4 (PER.SPEC.)
14	TRACK UPTHURST	BAA272AX3/4
15	T HEAD BOLT	G063T8
	ARRUELA PARAL A13 DIN 125	03P8181900
	ARRUELA SEG A12.5 DIN 6798	03SA182200
	PORCA FE SEXT M12 DIN 934	43SD182500