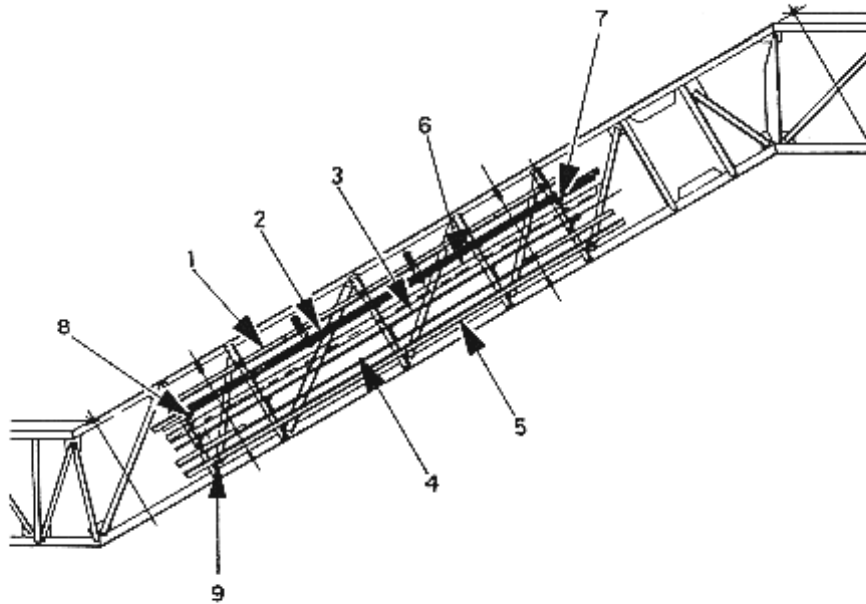


SPL 50-BAA26130S - Track - (Incline Part) - K2/K3 30 - NAO

Unpublished Work - © Otis Elevator Company. Any unauthorized reproduction, disclosure, or distribution of copies or content by any person of any portion of this work may be a violation of Copyright Law of the United States of America. All rights reserved.

February 1990

Page 1



SPL 50-BAA26130S - Track - (Incline Part) - K2/K3 30 - NAO

Page 2

REF. NUM.	DESCRIPTION	PART NO.
1	TRACK UPTHrust K3	BAA483AN
2	TRACK TRAILER AND CHAIN WHEEL K3	BO483BB
3	TRACK CHAIN WHEEL RETURN LINE K3	BAA483BK
4	TRACK CHAIN WHEEL RETURN LINE K3	BAA483AW
5	TRACK UPTHrust K3	BO483BC
6	TRACK UPTHrust K3	BAA483AWARR.2
7	T-HEAD BOLT K3	BAA63D2
8	T-HEAD BOLT K3	GO63T2
9	T-HEAD BOLT K3	GO63T3