

PARTS LEAFLET

(JUNCTION BOXES AND DEMARCATION
LIGHTS)

(CAIXAS DE CONEXOES E LUZ DEMARCA
TORIA)

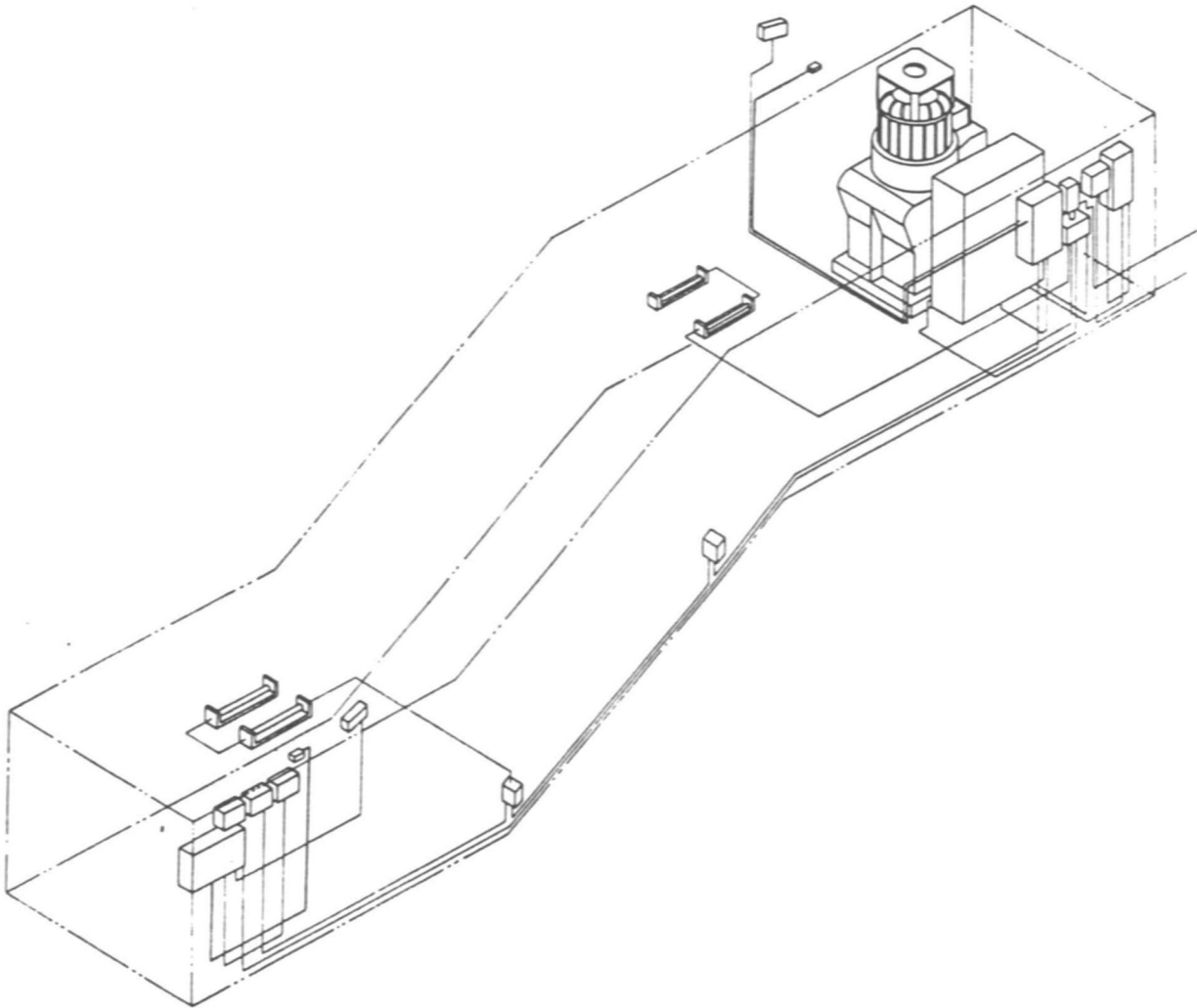
UBSL 600/1000 NAO

50 - BAA26200W

PAGE : 1/39

DATA / DATE

FEVEREIRO 1995/ FEBRUARY 1995



OTIS

OTIS

PARTS LEAFLET

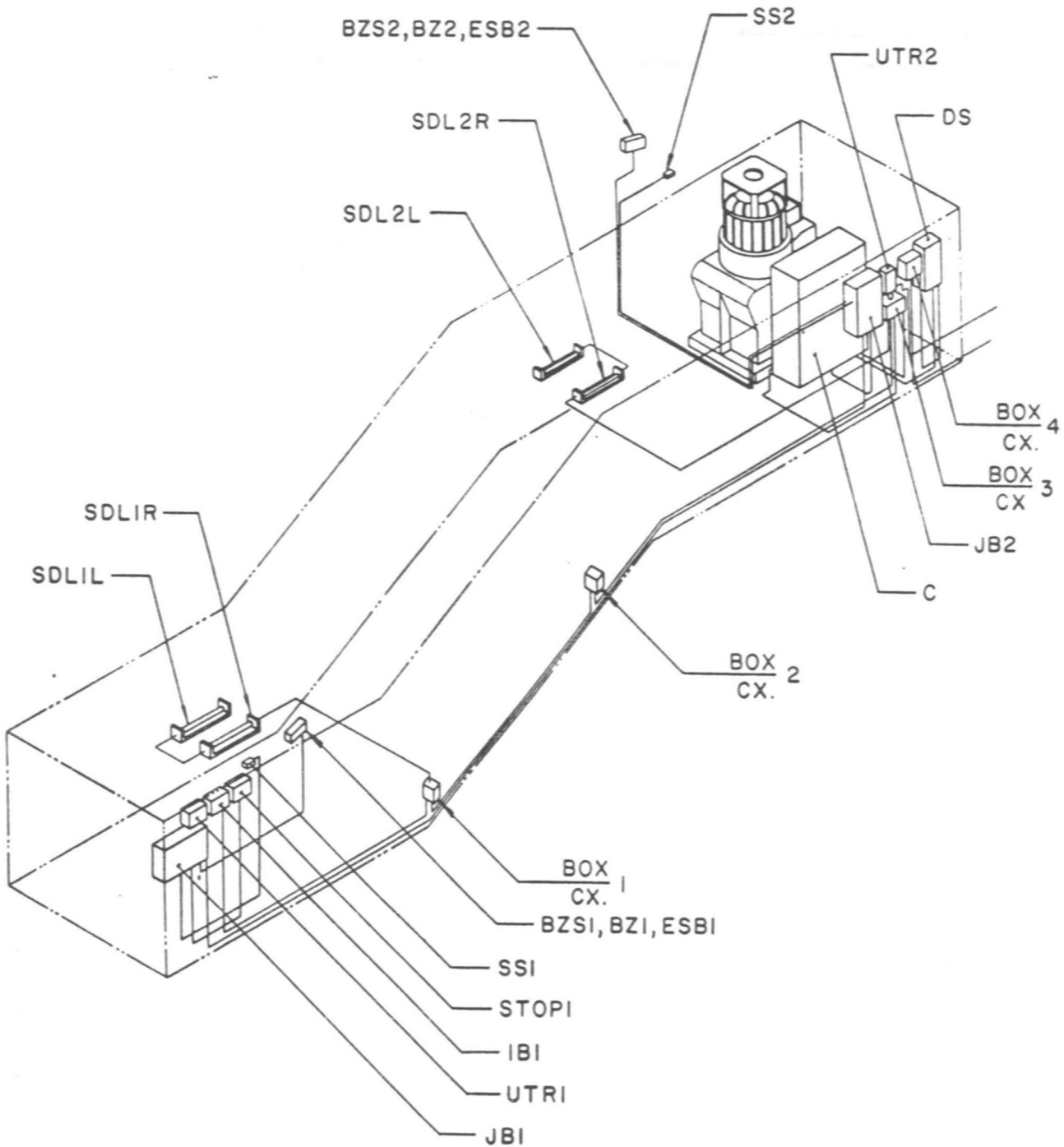
50-BAA26200W

SAO BERNARDO DO CAMPO
ENGINEERING DEPARTMENT

(JUNCTION BOXES AND DEMARCATION LIGHTS)
(CX. CONEXOES E LUZ DEMARCATORIA)

PAGE 2/39
DATE 95/02/24

CANADA AND EUA EXCEPT N.Y.C.
E EXCETO



REVISION

PREVIOUS DATE:

OTIS

PARTS LEAFLET

PART No. 50 - BAA26200W

PAGE 3/39

DATE 95/02/24

SAO BERNARDO DO CAMPO

(JUNCTION BOXES AND DEMARCATION LIGHTS)

ENGINEERING DEPARTMENT

(CX. CONEXOES E LUZ DEMARCATORIA)

<u>SYMBOL</u> SIGLA	<u>DESCRIPTION</u> DESCRICAO	<u>PART</u> PARTE NO.	<u>PAGE</u> PAG. _/39
DS	<u>DISCONNECT SWITCH</u> CAIXA DA CHAVE GERAL	BAA26200AR_	06
<u>BOX</u> CX. 1, 2	<u>JUNCTION BOX</u> CAIXA DE JUNCAO	BAA309F4	10
<u>BOX</u> CX. 3	<u>JUNCTION BOX ASSEMBLY</u> CONJUNTO DA CAIXA DE JUNCAO	BAA26200AS_	11
<u>BOX</u> CX. 4	<u>JUNCTION BOX ASSEMBLY</u> CONJUNTO DA CAIXA DE JUNCAO	BAA26200BA_	16
UTR1, 2	<u>UTILITY RECEPTACLE</u> TOMADA DE SERVICIO	BAA26200N1	20
JB1 (USA)	<u>JUNCTION BOX ASSEMBLY</u> CONJUNTO DA CAIXA DE JUNCAO	BAA26200AJ1	22
JB2 (USA)	<u>JUNCTION BOX ASSEMBLY</u> CONJUNTO DA CAIXA DE JUNCAO	BAA26200AK1	24
JB1 (CANADA)	<u>JUNCTION BOX ASSEMBLY</u> CONJUNTO DA CAIXA DE JUNCAO	BAA26200AL1	26
JB2 (CANADA)	<u>JUNCTION BOX ASSEMBLY</u> CONJUNTO DA CAIXA DE JUNCAO	BAA26200AM1	28
C	<u>CONTROLLER</u> CONTROLE	P. LEAFLET 10BAA26200AB	
SS1, 2	<u>STARTING SWITCH</u> CHAVE DE PARTIDA	P. LEAFLET BAA26200AH1	
BZS1, 2 BZ1, 2 ESB1, 2	<u>STOP BUTTON BOX</u> BOTOEIRA	P. LEAFLET BAA26200AE_	
SDL1R, 2R SDL1L, 2L	<u>STEP DEMARCATION LIGHT</u> LUZ DEMARCATORIA	BAA26200P1	36
STOP1	<u>STOP SWITCH</u> CHAVE DE PARADA	BAA26200M1	37
IB1	<u>INSPECTION RECEPTACLE</u> TOMADA DE INSPECAO	BAA26200E1	38

r REVISION

PREVIOUS DATE:

OTIS

PARTS LEAFLET

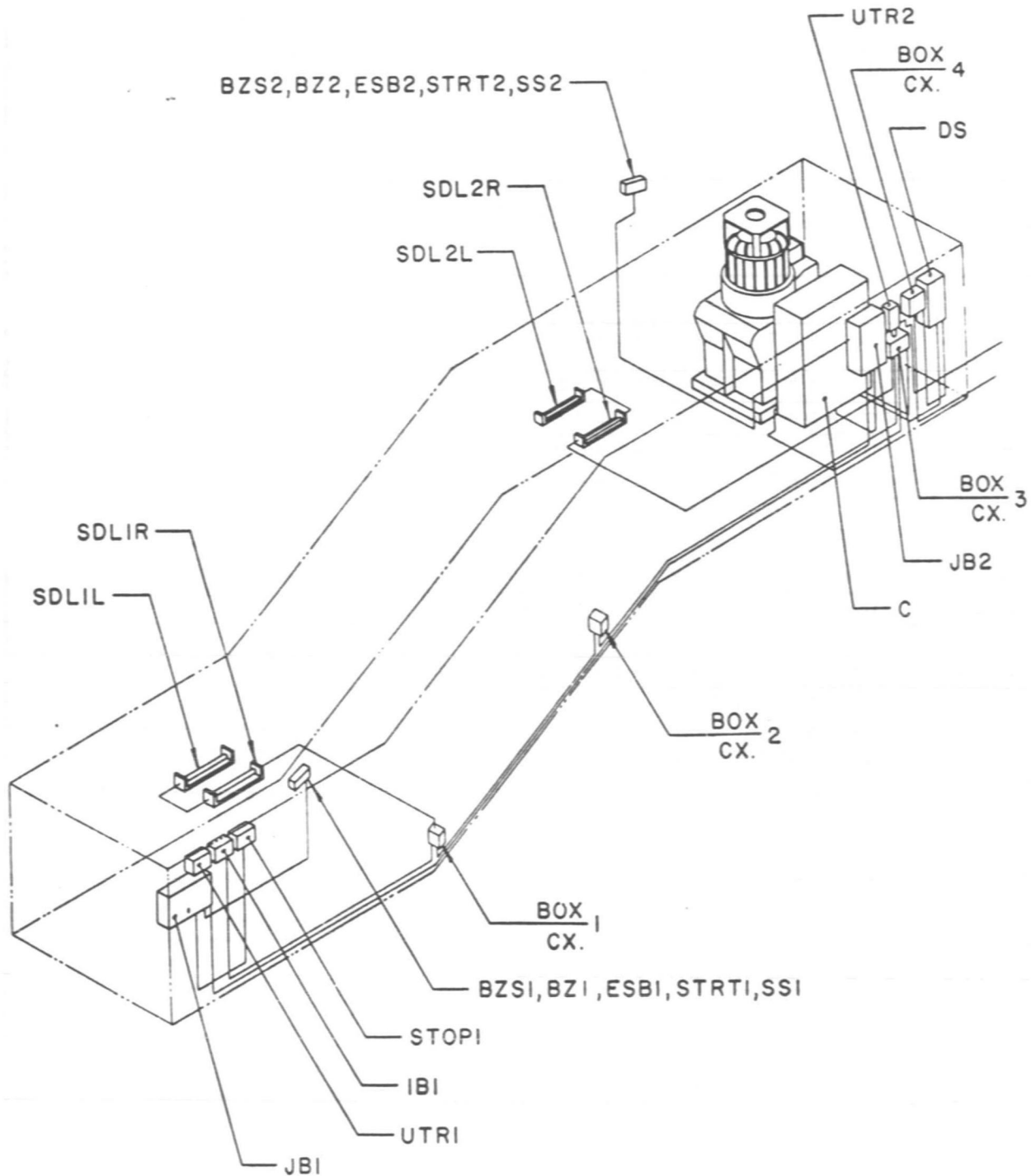
PART No 50 - BAA26200W

SAO BERNARDO DO CAMPO
ENGINEERING DEPARTMENT

(JUNCTION BOXES AND DEMARCATION LIGHTS)
(CX. CONEXOES E LUZ DEMARCATORIA)

PAGE 4/39
DATE 95/02/24

ONLY N.Y.C.
SOMENTE



OTIS

PARTS LEAFLET

PART No. 50 - BAA26200W

PAGE 5/39

DATE 95/02/24

SAO BERNARDO DO CAMPO
ENGINEERING DEPARTMENT

(JUNCTION BOXES AND DEMARCATION LIGHTS)
(CX. CONEXOES E LUZ DEMARCATORIA)

<u>SYMBOL</u> SIGLA	<u>DESCRIPTION</u> DESCRICAO	<u>PART</u> PARTE	<u>PAGE</u> PAG. _/39
DS	<u>DISCONNECT SWITCH</u> CAIXA DA CHAVE GERAL	BAA26200AR_	06
<u>BOX</u> CX. 1,2	<u>JUNCTION BOX</u> CAIXA DE JUNCAO	BAA309F4	10
<u>BOX</u> CX. 3	<u>JUNCTION BOX ASSEMBLY</u> CONJUNTO DA CAIXA DE JUNCAO	BAA26200AS_	11
<u>BOX</u> CX. 4	<u>JUNCTION BOX ASSEMBLY</u> CONJUNTO DA CAIXA DE JUNCAO	BAA26200BA_	16
UTR1,2	<u>UTILITY RECEPTACLE</u> TOMADA DE SERVICIO	BAA26200N1	20
JB1 (N.Y.)	<u>JUNCTION BOX ASSEMBLY</u> CONJUNTO DA CAIXA DE JUNCAO	BAA26200AJ1	22
JB2 (N.Y.)	<u>JUNCTION BOX ASSEMBLY</u> CONJUNTO DA CAIXA DE JUNCAO	BAA26200AK1	24
C	<u>CONTROLLER</u> CONTROLE	P. LEAFLET 10BAA26200AB	
BZS1,2 BZ1,2 ESB1,2 SS1,2 STR1,2	<u>STOP BUTTON BOX</u> BOTOEIRA	P. LEAFLET BAA26200AV1	
SDL1R,2R SDL1L,2L	<u>STEP DEMARCATION LIGHT</u> LUZ DEMARCATORIA	BAA26200P1	36
STOP1	<u>STOP SWITCH</u> CHAVE DE PARADA	BAA26200M1	37
IB1	<u>INSPECTION RECEPTACLE</u> TOMADA DE INSPECAO	BAA26200E1	38

r REVISION

PREVIOUS DATE:

OTIS

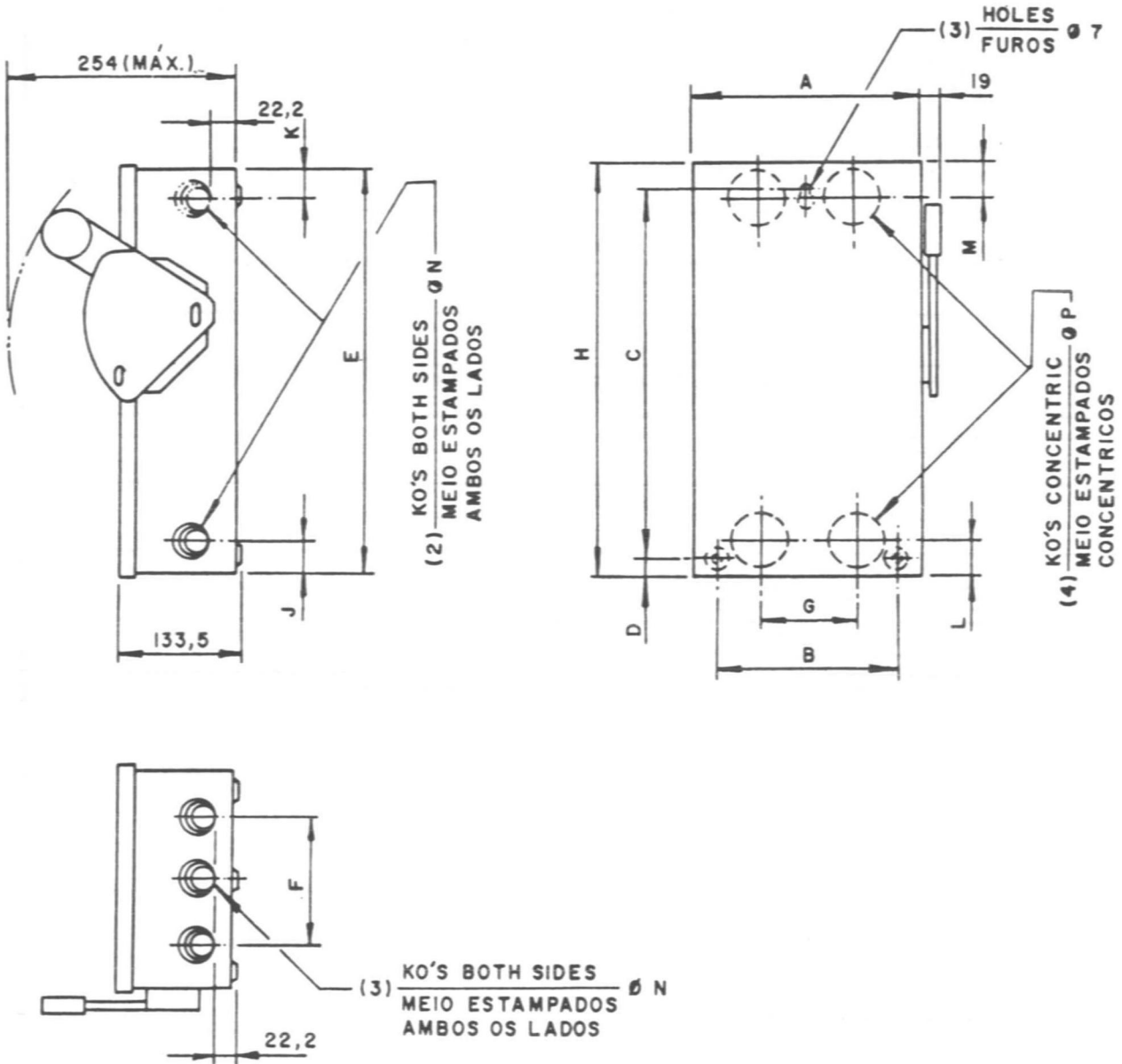
PARTS LEAFLET

PART No 50 - BAA26200W

SÃO BERNARDO DO CAMPO
ENGINEERING DEPARTMENT

(JUNCTION BOXES AND DEMARCATION LIGHTS)
(CX. CONEXOES E LUZ DEMARCATORIA)

PAGE 6/39
DATE 95/02/24



REVISION

PREVIOUS DATE:

OTIS

PARTS LEAFLET

PART No 50-BAA26200W

SAO BERNARDO DO CAMPO
ENGINEERING DEPARTMENT

(JUNCTION BOXES AND DEMARCATION LIGHTS)
(CX. CONEXOES E LUZ DEMARCATORIA)

PAGE 7/39
DATE 95/02/24

PART PARTE No.	ASSEMBLY OF MONTAGEM DE	REFERENCE (A)	
		SWITCH	FUSE
		CHAVE	FUSIVEL
BAA26200AR1	BAA26200AY2 + (3)BAA375B10	60	45
BAA26200AR2	BAA26200AY2 + (3)BAA375B9	60	40
BAA26200AR3	BAA26200AY1 + (3)BAA375B5	30	20
BAA26200AR4	BAA26200AY1 + (3)BAA375B4	30	17,5
BAA26200AR5	BAA26200AY3 + (3)BAA375B13	100	70
BAA26200AR6	BAA26200AY2 + (3)BAA375B12	60	60
BAA26200AR7	BAA26200AY1 + (3)BAA375B7	30	30
BAA26200AR8	BAA26200AY1 + (3)BAA375B6	30	25
BAA26200AR9	BAA26200AY2 + (3)BAA375B8	60	35

r REVISION

PREVIOUS DATE:

OTIS

PARTS LEAFLET

PART No 50 - BAA26200W

SAO BERNARDO DO CAMPO

PAGE 8/39

ENGINEERING DEPARTMENT

(JUNCTION BOXES AND DEMARCATION LIGHTS)

DATE 95/02/24

(CX.CONEXOES E LUZ DEMARCATORIA)

DIMENSION COTA	PART NO. PARTE		
	BAA26200AY1	BAA26200AY2	BAA26200AY3
A	206,4		282,6
B	165,1		241,3
C	362,0		508,0
D	12,7		19,1
E	403,2		550,9
F	123,8		177,8
G	95,3		114,3
H	406,4		558,8
J	38,1		47,6
K	38,1		47,6
L	34,9		47,6
M	34,9		47,6
ON	22/27/35		35/44/51/62
P	22/27/35		44/51/62

r REVISION

PREVIOUS DATE:

OTIS

PARTS LEAFLET

PART No 50 - BAA26200W

SAO BERNARDO DO CAMPO
ENGINEERING DEPARTMENT

(JUNCTION BOXES AND DEMARCATION LIGHTS)
(CX.CONEXOES E LUZ DEMARCATORIA)

PAGE 9/39
DATE 95/02/24

GENERAL CHARACTERISTIC :
CARACTERISTICAS GERAIS

A) VOLTAGE RATING : 600VAC
CLASSIFICACAO DE VOLTAGEM

B) SYMMETRICAL SHORT CIRCUIT RATING :
CLASSIFICACAO DE CURTO CIRCUITO SIMETRICO

b.1) 10KA RMS FOR NON-FUSED SWITCH
PARA CHAVE SEM FUSIVEIS

b.2) 200KA RMS WITH CLASS J FUSES
COM FUSIVEIS CLASSE J

C) HORSEPOWER RATING [HP] :
CLASSIFICACAO DE POTENCIA

[MAXIMUM WITH TIME DELAY FUSING
MAXIMO COM FUSIVEL RETARDADO]

PART NO. PARTE	RATING CLASSIFICACAO	VOLTAGE AC			
		120V	240V	480V	600V
BAA26200AY1	30A	3	7,5	15	20
BAA26200AY2	60A	7,5	15	30	50
BAA26200AY3	100A	—	30	60	75

D) ENCLOSURE : NEMA 1
ENVOLUCRO

r REVISION

PREVIOUS DATE:

OTIS

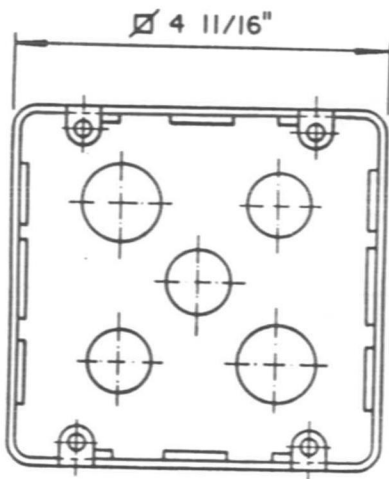
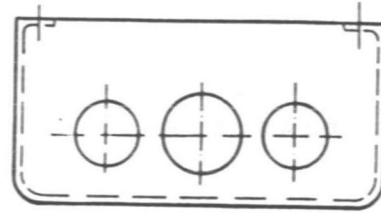
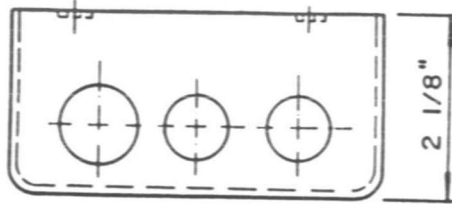
PARTS LEAFLET

PART No 50 - BAA26200W

SAO BERNARDO DO CAMPO
ENGINEERING DEPARTMENT

(JUNCTION BOXES AND DEMARCATION LIGHTS)
(CX. CONEXOES E LUZ DEMARCATORIA)

PAGE 10/39
DATE 95/02/24



(a) with kit for ground
com kit para aterramento

PART NO. PARTE NO.	NO. & SIZE OF KNOCKOUTS No. E BITOLA DOS MEIO ESTAMPADOS			VENDOR CODE COD. FORN.
	PER SIDE POR LADO	PER END POR EXTREMO	BOTTOM FUNDO	
	BAA309F1	(2) 1/2" + (1) 3/4"	(2) 1/2" + (1) 3/4"	
BAA309F2	(3) 1/2"	(3) 1/2"	(3) 1/2" + (2) 3/4"	72171-1/2" (a)
BAA309F3	(1) 3/4" (1) 1"	(1) 3/4" + (1) 1"	(3) 1/2" + (2) 3/4"	72171-3/4" & 1" (a)
BAA309F4	(2) 1"	(2) 1"	(3) 1/2" + (2) 3/4"	72171-1" (a)
BAA309F5	(3) 3/4"	(3) 3/4"	(3) 1/2" + (2) 3/4"	72171-3/4" (a)
BAA309F6	(2) 1.1/4"	(1) 1.1/4"	(3) 1/2" + (2) 3/4"	72171- 1.1/4" (a)

r REVISION

PREVIOUS DATE:

OTIS

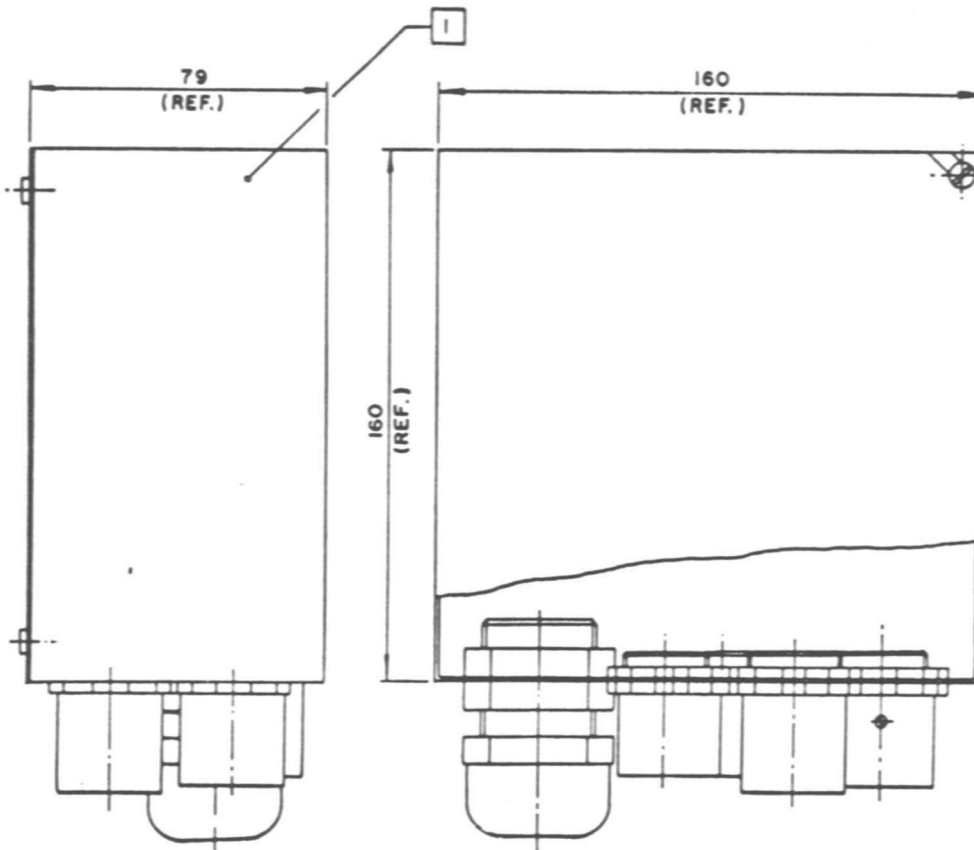
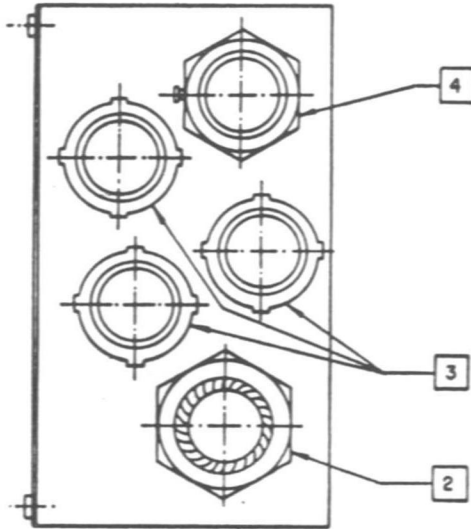
PARTS LEAFLET

PART No 50 - BAA26200W

SAO BERNARDO DO CAMPO
ENGINEERING DEPARTMENT

(JUNCTION BOXES AND DEMARCATION LIGHTS)
(CX. CONEXOES E LUZ DEMARCATORIA)

PAGE 11/39
DATE 95/02/24



r REVISION

PREVIOUS DATE:

OTIS

SAO BERNARDO DO CAMPO
ENGINEERING DEPARTMENT

PARTS LEAFLET

(JUNCTION BOXES AND DEMARCATION LIGHTS)
(CX. CONEXOES E LUZ DEMARCATORIA)

PART No 50-BAA26200W

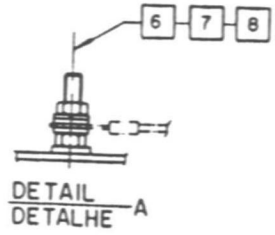
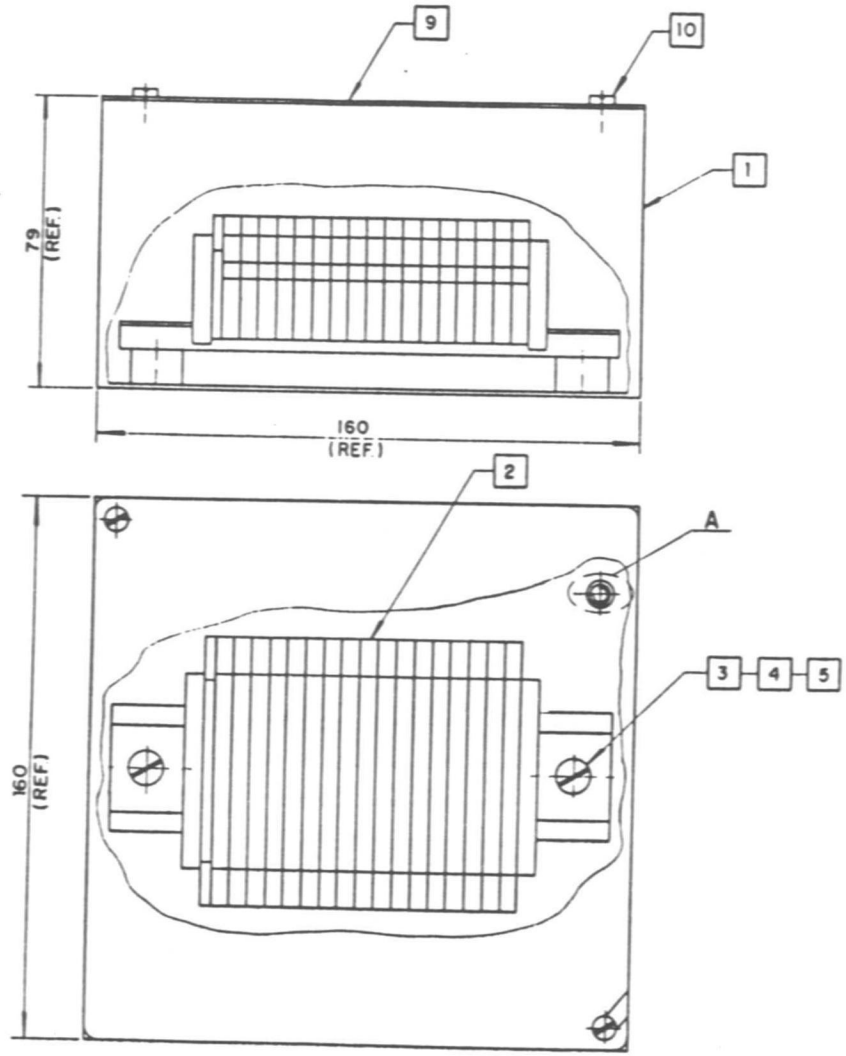
PAGE 12/39

DATE 95/02/24

<u>REF.</u> <u>ITEM</u>	<u>QTY</u> <u>QTD</u>	<u>DESCRIPTION</u> <u>DESCRICAO</u>	<u>PART</u> No. <u>PARTE</u>
			BAA26200AS1
1	1	JUNCTION BOX CAIXA DE JUNCAO	BAA26200F5
2	1	CORD CONNECTOR Pg29 PRENSA CABO	BAA440N28
3	3	FLEX CONNECTOR 1/2" CONECTOR	BAA440S2
4	1	STRAIGHT CONNECTOR 1" CONECTOR RETO	BAA440G7

r REVISION

PREVIOUS DATE:



OTIS

SAO BERNARDO DO CAMPO
ENGINEERING DEPARTMENT

PARTS LEAFLET

(JUNCTION BOXES AND DEMARCATION LIGHTS)
(CX. CONEXOES E LUZ DEMARCATORIA)

PART No 50-BAA26200W

PAGE 14/39

DATE 95/02/24

<u>REF</u> <u>ITEM</u>	<u>QTY.</u> <u>QTD.</u>	<u>DESCRIPTION</u> <u>DESCRICAO</u>	<u>PART</u> <u>PARTE</u> No.
			BAA26200F5
1	1	BOX CAIXA	BAA309N2
2	1	TERMINAL BLOCK ASSEMBLY REGUA DE BORNES	BAA26200J3
3	2	BOLT _____ M5x10 DIN 84 PAR. FE. CC	40CH181700
4	2	WASHER _____ B5 DIN 127 ARRUELA FE. PRS.	03PG180600
5	2	WASHER _____ A5,3 DIN 125 ARRUELA FE. PARAL	03PB181300
6	2	WASHER _____ A4,3 DIN 125 ARRUELA FE. PARAL	03PB181200
7	1	WASHER _____ B4 DIN 127 ARRUELA FE. PRS.	03PG180400
8	2	NUT _____ M4 DIN 934 PORCA FE SEXT.	43SD182000
9	1	COVER TAMPA	BAA285T1
10	2	BOLT _____ B3,5x9,5 DIN 7971 PAR. FE. CC	40CH184400

r REVISION

PREVIOUS DATE:

OTIS

SAO BERNARDO DO CAMPO
ENGINEERING DEPARTMENT

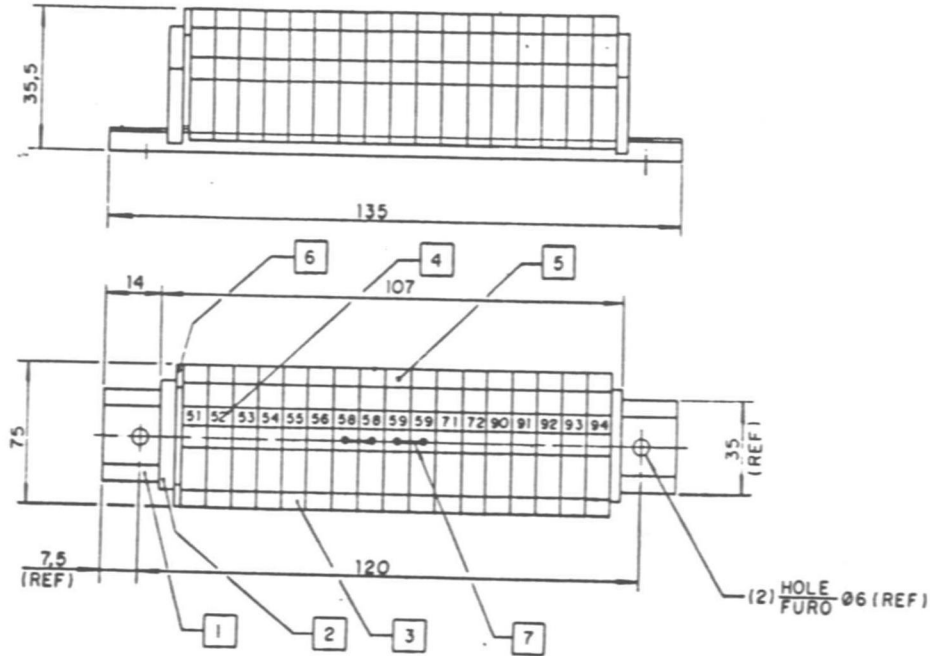
PARTS LEAFLET

(JUNCTION BOXES AND DEMARCATION LIGHTS)
(CX. CONEXOES E LUZ DEMARCATORIA)

PART No 50 - BAA26200W

PAGE 15/39

DATE 95/02/24



PART No. BAA26200J3			
PARTE			
REF. ITEM	QTY. QTD.	DESIGNATION DESIGNACAO	PART No. PARTE
1	1	RAIL TRILHO	BAA401A3
2	2	END POST POSTE	BAA447B1
3	15	CONDUCTOR THROUGH TERM BLOCK BLOCO TERMINAL	BAA303K3
4	1	HORIZONTAL MARKING IDENTIFICADOR	BAA102AJ2
5	2	CONDUCTOR THROUGH TERM BLOCK BLOCO TERMINAL	BAA303K4
6	1	COVER TAMPA	BAA254C2
7	2	HORIZONTAL JUMPER PONTE CONECTORA	BAA176G1

REVISION

PREVIOUS DATE:

OTIS

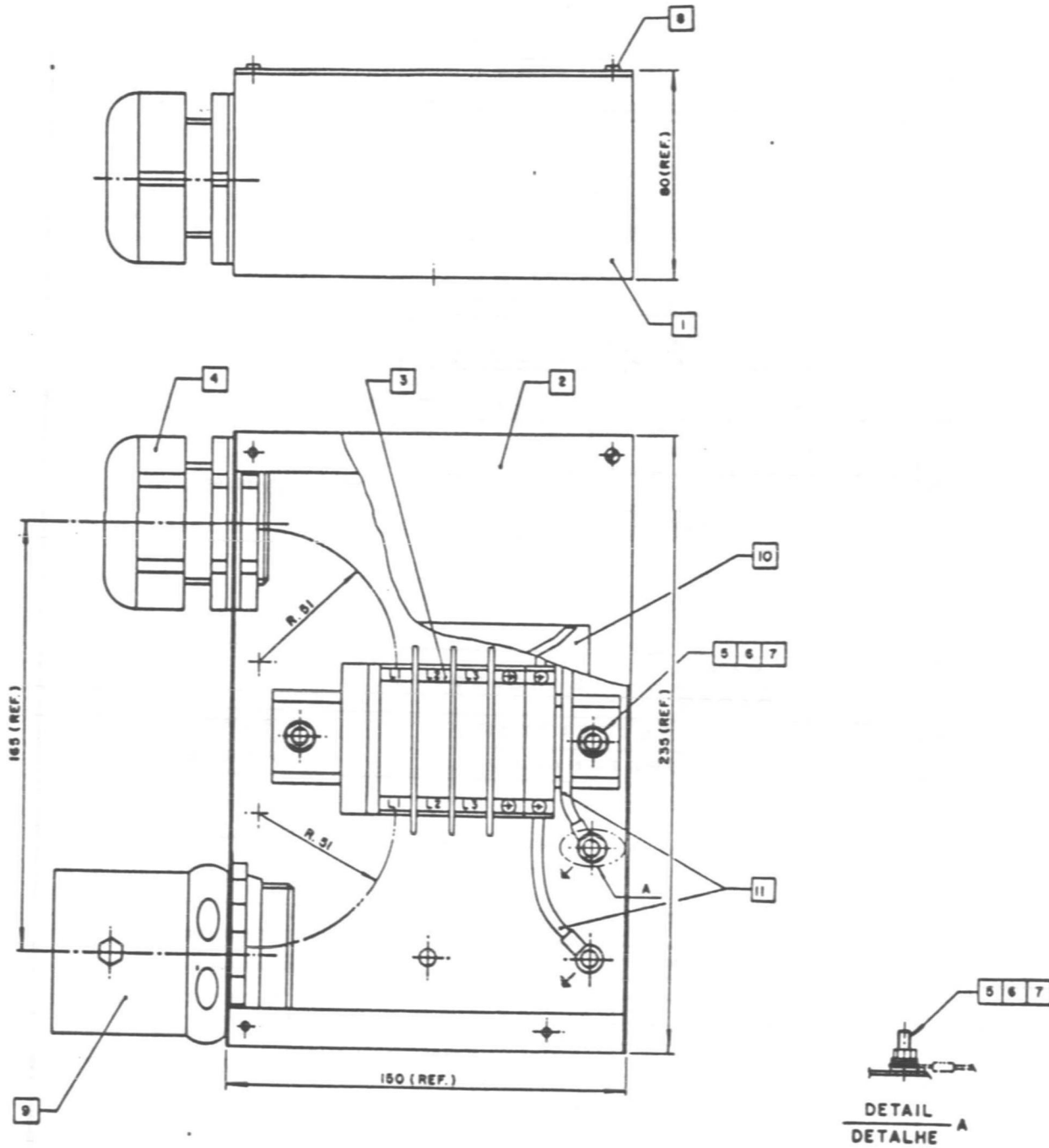
SAO BERNARDO DO CAMPO
ENGINEERING DEPARTMENT

PARTS LEAFLET

(JUNCTION BOXES AND DEMARCATION LIGHTS)
(CX. CONEXOES E LUZ DEMARCATORIA)

50-BAA26200W

PAGE 16/39
DATE 95/02/24



REVISION

PREVIOUS DATE:

OTIS

PARTS LEAFLET

PART No 50 - BAA26200W

PAGE 17/39

DATE 95/02/24

SAO BERNARDO DO CAMPO
ENGINEERING DEPARTMENT

(JUNCTION BOXES AND DEMARCATION LIGHTS)
(CX. CONEXOES E LUZ DEMARCATORIA)

REF ITEM	QTY. QTD.	DESCRIPTION DESCRICAO	PART No.	
			PARTE	
			BAA26200BA1	BAA26200BA2
1	1	JUNCTION BOX CAIXA DE JUNCAO	BAA309V2	
2	1	COVER TAMPA	BAA285T3	
3	1	TERM. BLOCK ASS. REGUA DE BORNES	BAA26200J4	BAA26200J5
4	1	CORD CONNECT. PRENSA CABO Pg36	BAA440N32	
5	4	WASHER A6,4 ARRUELA PAR	03PB181400	
6	3	WASHER B6 ARRUELA PRS	03PG180800	
7	4	NUT M6 PORCA SEXT.	43SD182200	
8	4	SCREW M4x12 PARAF.	40CH220050	
9	1	STRAIGHT CONNECT. CONECTOR RETO	BAA440G8	
10	1	WARNING LABEL ETIQUETA ADVERT.	CAA104A7	
11	2	CABLE CABO	BAA174BM1	BAA174BM2

REVISION

PREVIOUS DATE:

OTIS

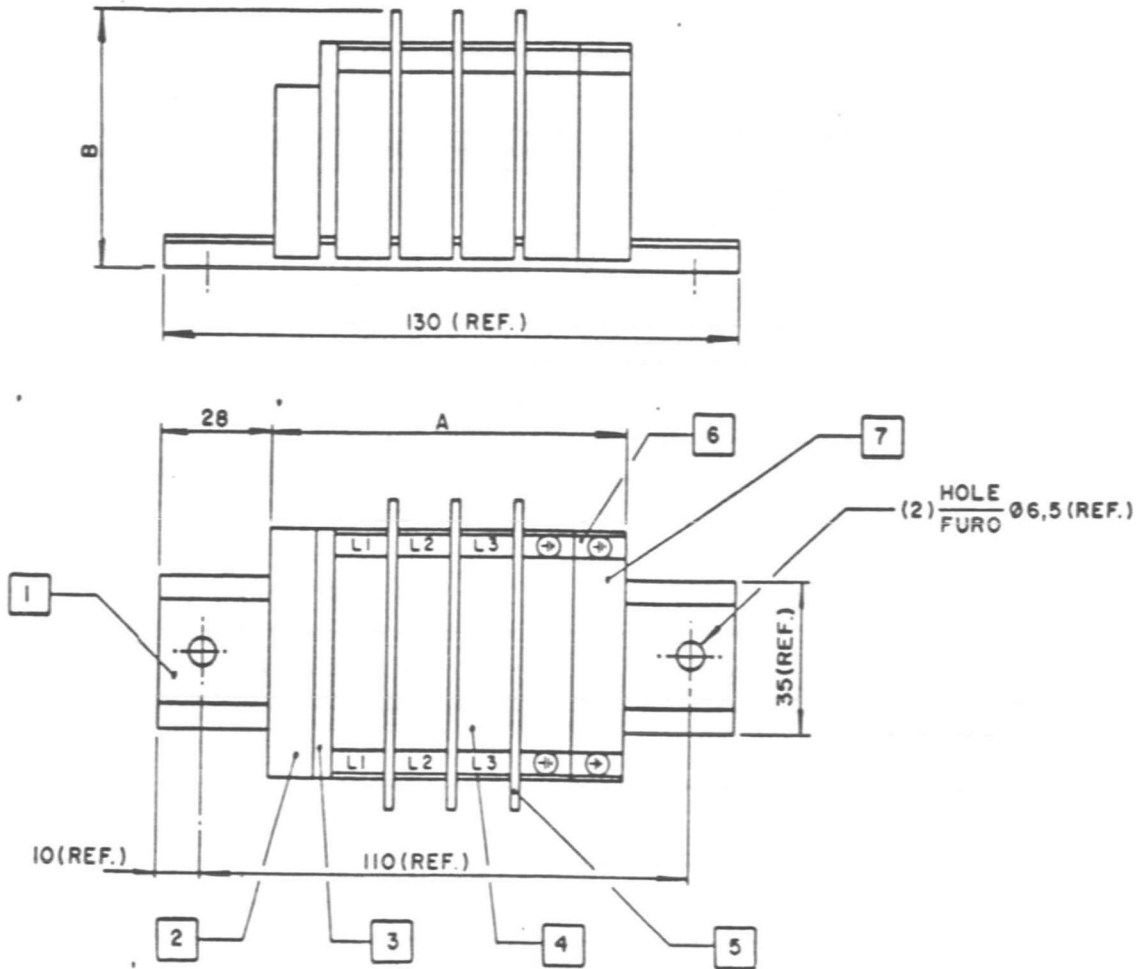
PARTS LEAFLET

50-BAA26200W

SÃO BERNARDO DO CAMPO
ENGINEERING DEPARTMENT

(JUNCTION BOXES AND DEMARCATION LIGHTS)
(CX. CONEXOES E LUZ DEMARCATORIA)

PAGE 18/39
DATE 95/02/24



r REVISION

PREVIOUS DATE:

OTIS

SAO BERNARDO DO CAMPO
ENGINEERING DEPARTMENT

PARTS LEAFLET

(JUNCTION BOXES AND DEMARCATION LIGHTS)
(CX. CONEXOES E LUZ DEMARCATORIA)

PART No 50 - BAA26200W

PAGE 19/39
DATE 95/02/24

PART No. PARTE	DIMENSION COTA	
	A	B
BAA26200J4	68,5	52
BAA26200J5	80	56

REF. ITEM	QTY. QTD.	DESIGNATION DESIGNACAO	PART No. PARTE	
			BAA26200J4	BAA26200J5
1	1	RAIL TRILHO	BAA401A4	
2	1	END STOP POSTE	BAA447B1	
3	1	END CAP TAMPA	BAA254B4	BAA254B5
4	3	TERMINAL BLOCK BLOCO TERMINAL	BAA303J5	BAA303J6
5	3	ISOLATION PARTITION PLACA DE SEPARACAO	BAA278A4	BAA278A5
6	1	MARKED LABEL IDENTIFICADOR	BAA102AJ5	
7	1	GROUNDING TERM. BLOCK BLOCO TERMINAL TERRA	BAA303H4	BAA303H5

REVISION

PREVIOUS DATE:

OTIS

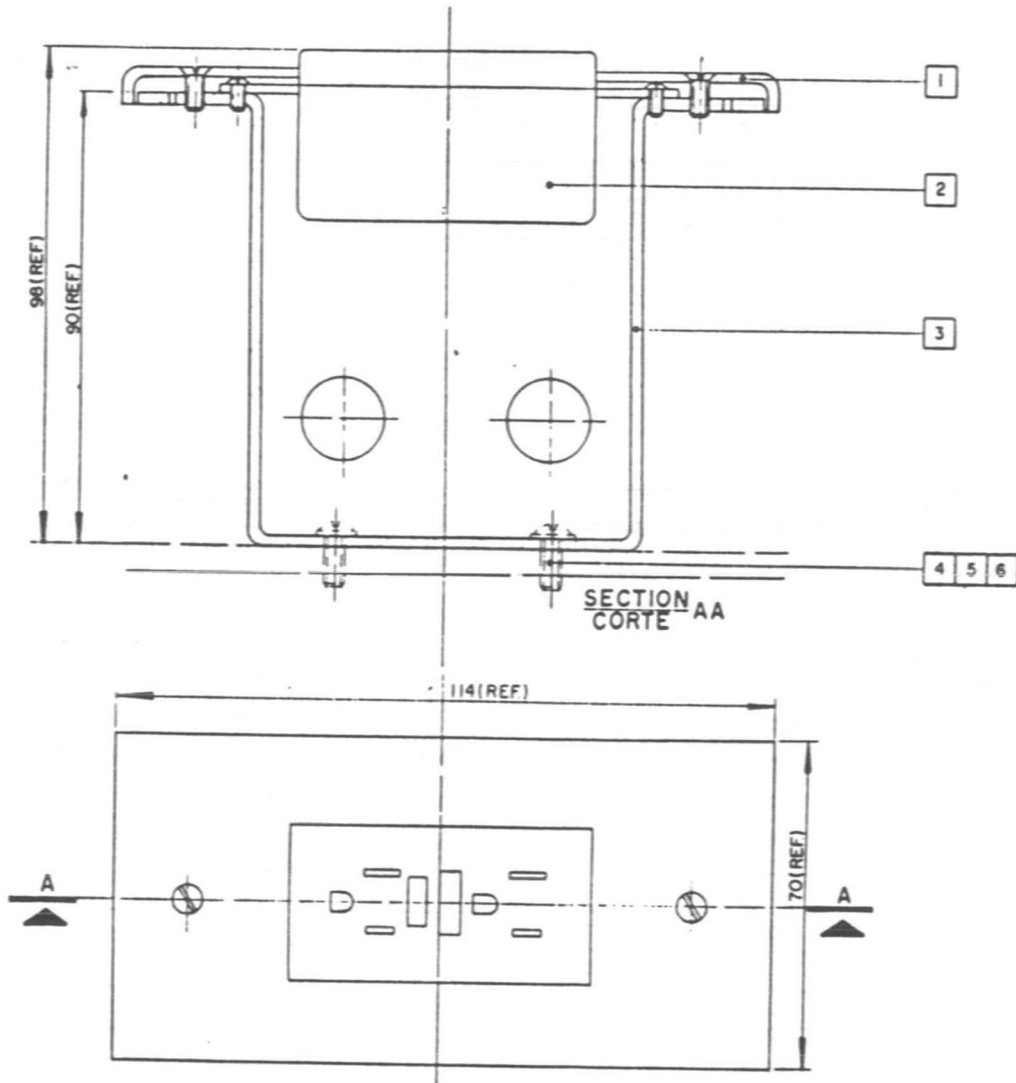
PARTS LEAFLET

PART No 50 - BAA26200W

SAO BERNARDO DO CAMPO
ENGINEERING DEPARTMENT

(JUNCTION BOXES AND DEMARCATION LIGHTS)
(CX. CONEXOES E LUZ DEMARCATORIA)

PAGE 20/39
DATE 95/02/24



REVISION

PREVIOUS DATE:

OTIS

PARTS LEAFLET

PART No 50 - BAA26200W

SAO BERNARDO DO CAMPO
ENGINEERING DEPARTMENT

(JUNCTION BOXES AND DEMARCATION LIGHTS)
(CX. CONEXOES E LUZ DEMARCATORIA)

PAGE 21/39
DATE 95/02/24

ITEM	QTY. QTD.	DESCRIPTION DESCRICA0	PART No.
			PARTE
			BAA26200N1
1	1	COVER TAMPA	BAA346X1
2	1	UTILITY RECEPTACLE TOMADA	BAA641B1
3	1	BOX CAIXA	BAA309P2
4	2 REF	BOLT M5x10 PFFC	40CH181700
5	2 REF	WASHER AS, 3 ARR. PAR.	03PB181300
6	2 REF	WASHER B5 ARR. PRS.	03PG180600

r REVISION

PREVIOUS DATE:

OTIS

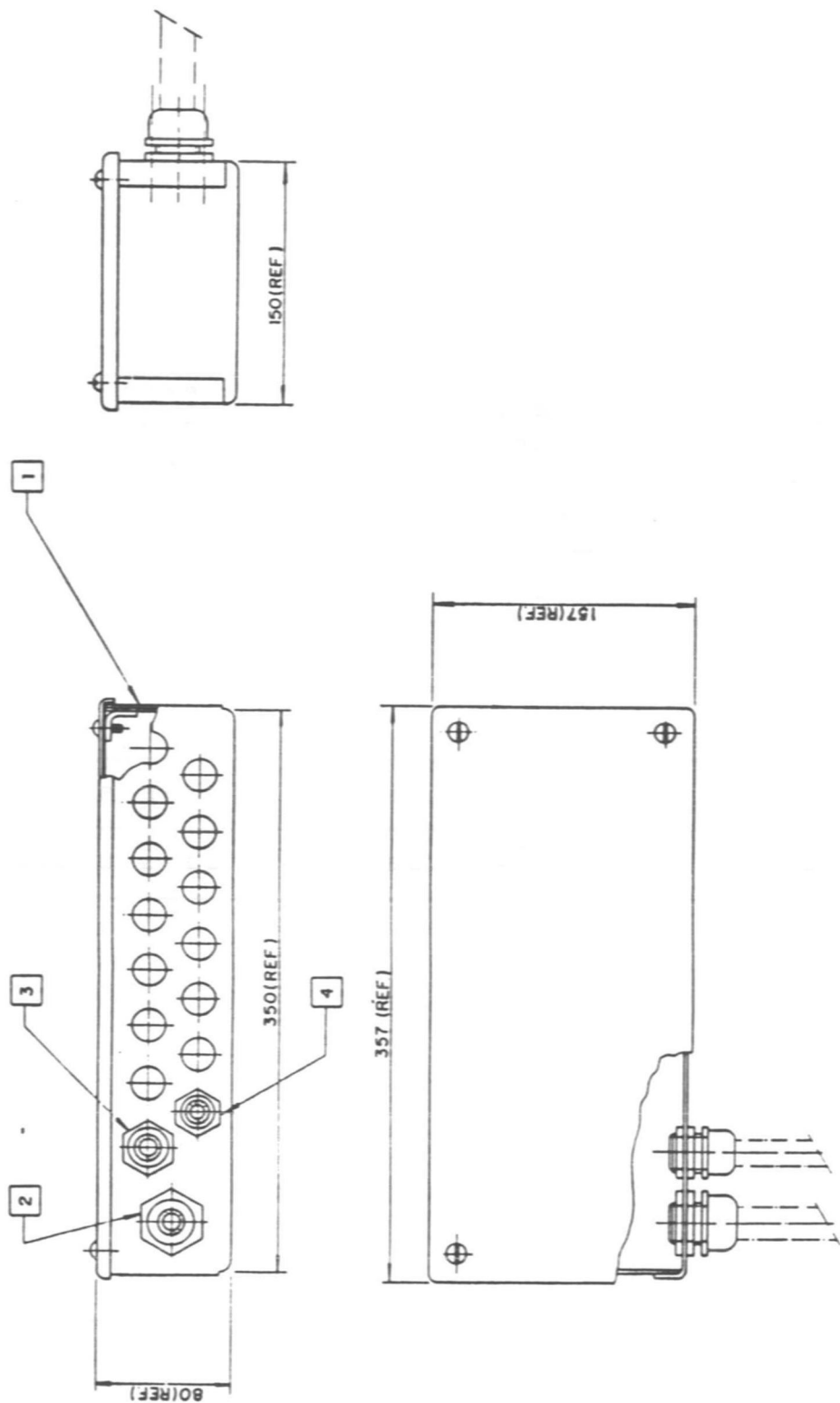
PARTS LEAFLET

PART No 50 - BAA26200W

SAO BERNARDO DO CAMPO
ENGINEERING DEPARTMENT

(JUNCTION BOXES AND DEMARCATION LIGHTS)
(CX. CONEXOES E LUZ DEMARCATORIA)

PAGE 22/39
DATE 95/02/24



r REVISION

PREVIOUS DATE:

OTIS

PARTS LEAFLET

PART No 50 - BAA26200W

SAO BERNARDO DO CAMPO
ENGINEERING DEPARTMENT

(JUNCTION BOXES AND DEMARCATION LIGHTS)
(CX. CONEXOES E LUZ DEMARCATORIA)

PAGE 23/39
DATE 95/02/24

ITEM	QTY. QTD.	DESCRIPTION DESCRICAO	PART No.
			PARTE
			BAA26200AJ1
1	1	JUNCTION BOX CAIXA DE JUNCAO	BAA26200F1
2	1	CORD CONNECTOR Pg 21 PRENSA CABO	BAA440N22
3	1	CORD CONNECTOR Pg 11 PRENSA CABO	BAA440N12
4	9	CORD CONNECTOR Pg 11 PRENSA CABO	BAA440N10

REVISION

PREVIOUS DATE:

OTIS

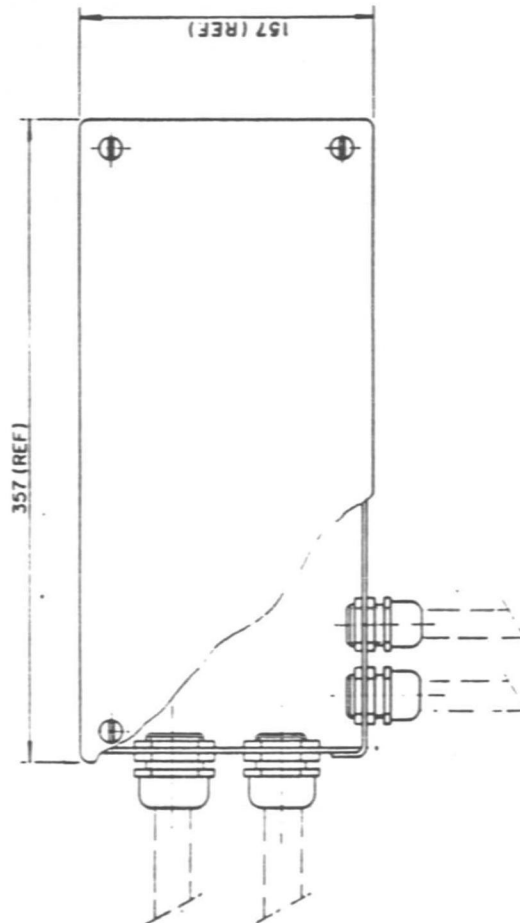
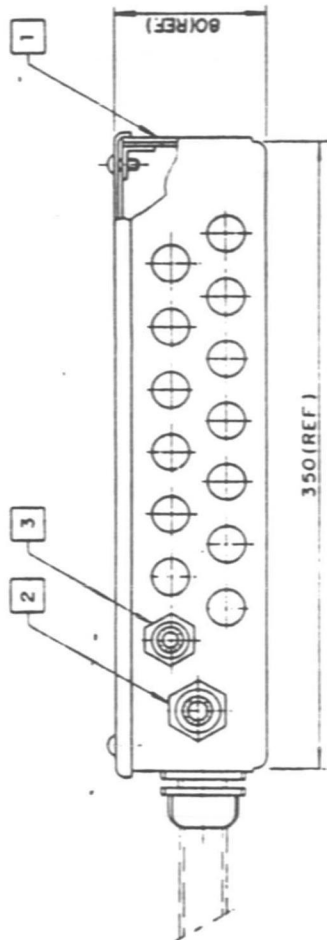
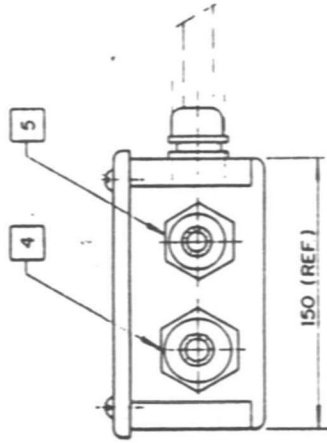
SAO BERNARDO DO CAMPO
ENGINEERING DEPARTMENT

PARTS LEAFLET

(JUNCTION BOXES AND DEMARCATION LIGHTS)
(CX. CONEXOES E LUZ DEMARCATORIA)

PART No 50 - BAA26200W

PAGE 24/39
DATE 95/02/24



REVISION

PREVIOUS DATE:

OTIS

PARTS LEAFLET

PART No 50 - BAA26200W

SAO BERNARDO DO CAMPO
ENGINEERING DEPARTMENT

(JUNCTION BOXES AND DEMARCATION LIGHTS)
(CX. CONEXOES E LUZ DEMARCATORIA)

PAGE 25/49
DATE 95/02/24

ITEM	QTY. QTD.	DESCRIPTION DESCRICAO	PART No.
			PARTE
			BAA26200AK1
1	1	JUNCTION BOX CAIXA DE JUNCAO	BAA26200F3
2	1	CORD CONNECTOR PRENSA CABO	BAA440N12
3	9	CORD CONNECTOR PRENSA CABO	BAA440N10
4	1	CORD CONNECTOR PRENSA CABO	BAA440N28
5	1	CORD CONNECTOR PRENSA CABO	BAA440N22

r REVISION

PREVIOUS DATE:

OTIS

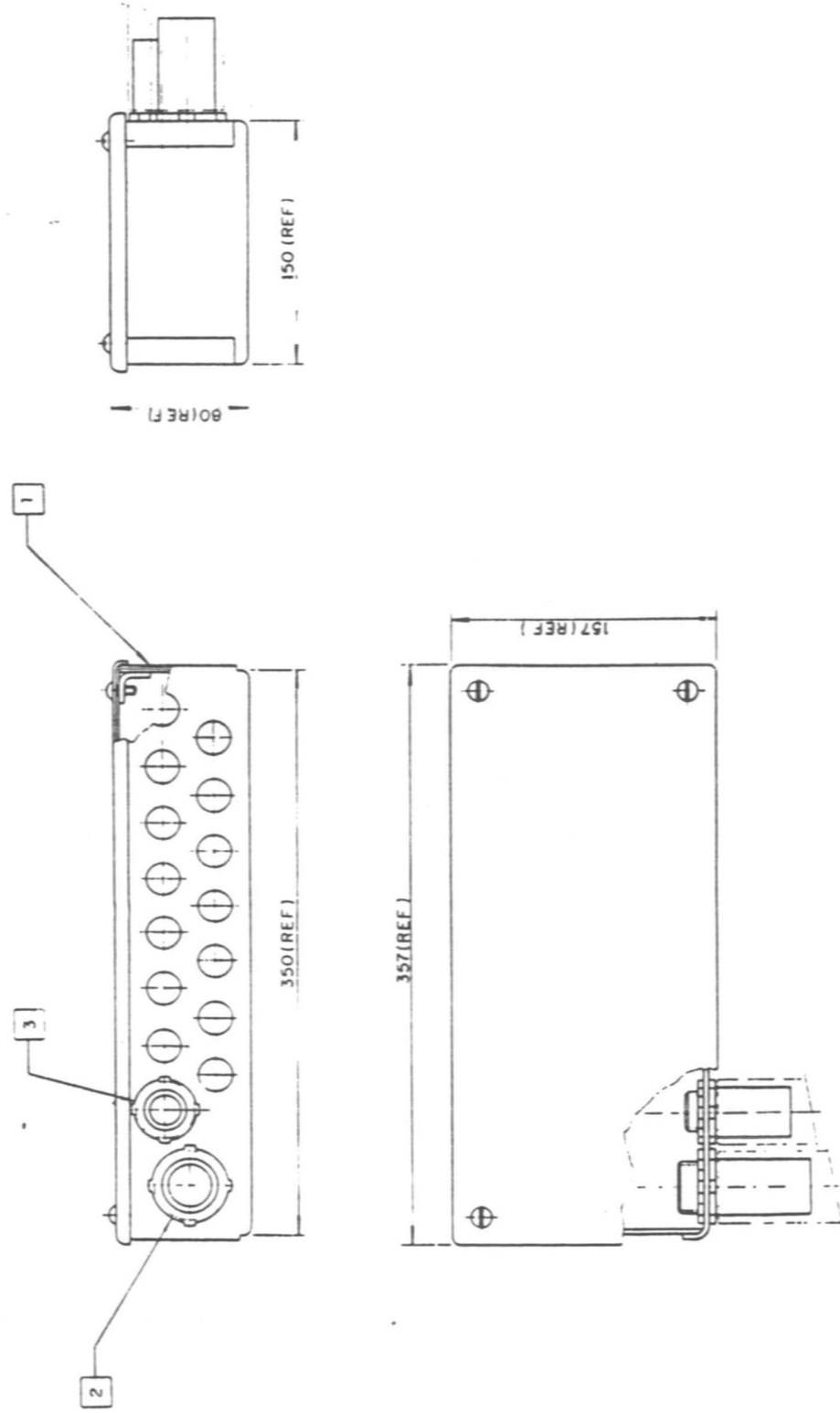
PARTS LEAFLET

PART No 50 - BAA26200W

SÃO BERNARDO DO CAMPO
ENGINEERING DEPARTMENT

(JUNCTION BOXES AND DEMARCATION LIGHTS)
(CX. CONEXOES E LUZ DEMARCATORIA)

PAGE 26/39
DATE 95/02/24



REVISION

PREVIOUS DATE:

OTIS

PARTS LEAFLET

PART No 50 - BAA26200W

SAO BERNARDO DO CAMPO
ENGINEERING DEPARTMENT

(JUNCTION BOXES AND DEMARCATION LIGHTS)
(CX. CONEXOES E LUZ DEMARCATORIA)

PAGE 27/39
DATE 95/02/24

ITEM	QTY. QTD.	DESCRIPTION DESCRICAO	PART No.
			PARTE
			BAA26200AL1
1	1	JUNCTION BOX CAIXA DE JUNCAO	BAA26200F2
2	1	FLEX CONNECTOR 1" CONECTOR RETO	BAA440S4
3	14	FLEX CONNECTOR 1/2" CONECTOR RETO	BAA440S2

r REVISION

PREVIOUS DATE:

OTIS

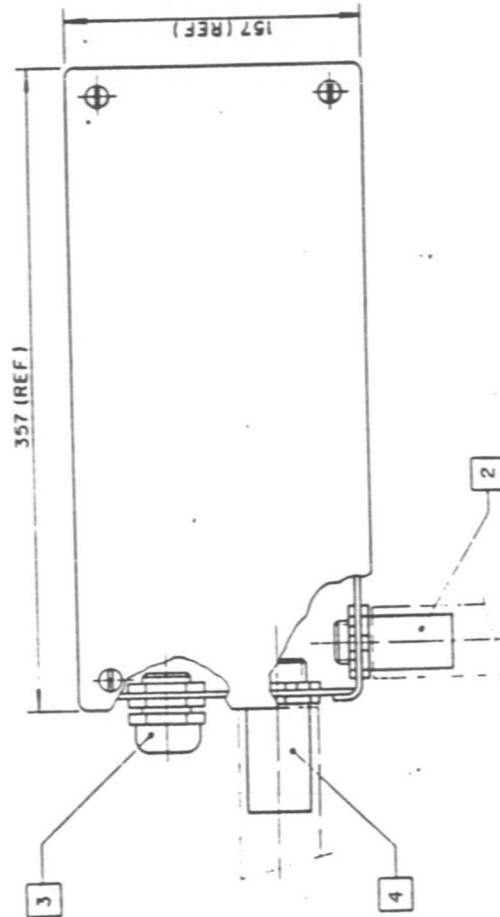
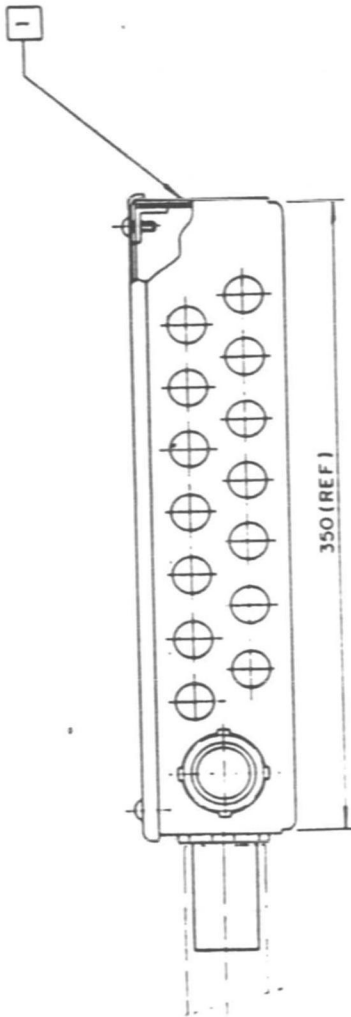
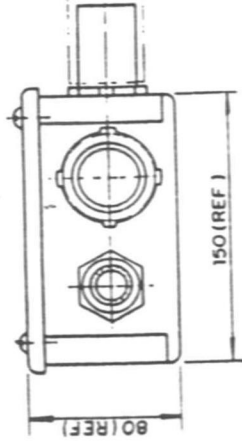
PARTS LEAFLET

PART No 50 - BAA26200W

SAO BERNARDO DO CAMPO
ENGINEERING DEPARTMENT

(JUNCTION BOXES AND DEMARCATION LIGHTS)
(CX. CONEXOES E LUZ DEMARCATORIA)

PAGE 28/39
DATE 95/02/24



r REVISION

PREVIOUS DATE:

OTIS

PARTS LEAFLET

PART No 50 - BAA26200W

SAO BERNARDO DO CAMPO
ENGINEERING DEPARTMENT

(JUNCTION BOXES AND DEMARCATION LIGHTS)
(CX. CONEXOES E LUZ DEMARCATORIA)

PAGE 29/39
DATE 95/02/24

ITEM	QTY.	DESCRIPTION	PART No.
	QTD.	DESCRICAO	PARTE
			BAA26200AM1
1	1	JUNCTION BOX CAIXA DE JUNCAO	BAA26200F4
2	10	FLEX CONNECTOR 1/2" CONECTOR	BAA440S2
3	1	CORD CONNECTOR Pg29 PRENSA CABO	BAA440N28
4	1	FLEX CONNECTOR 1" CONECTOR	BAA440S4

REVISION

PREVIOUS DATE:

OTIS

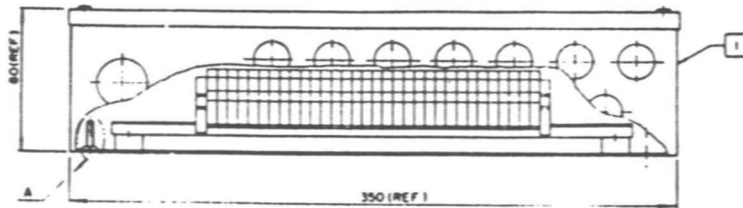
PARTS LEAFLET

PART No 50-BAA26200W

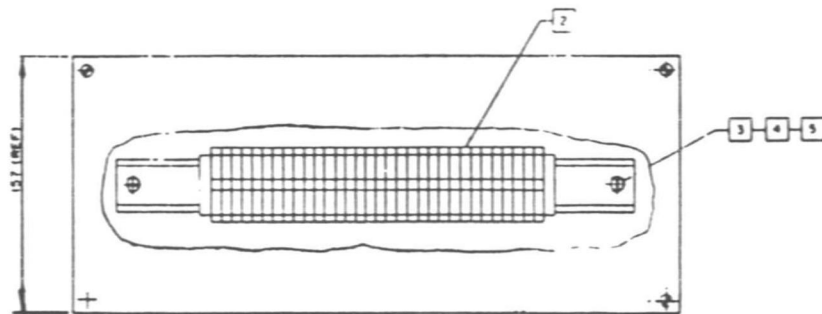
SAO BERNARDO DO CAMPO
ENGINEERING DEPARTMENT

(JUNCTION BOXES AND DEMARCATION LIGHTS)
(CX. CONEXOES E LUZ DEMARCATORIA)

PAGE 30/39
DATE 95/02/24



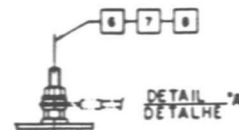
REF. ITEM	QTY. QTD.	DESCRIPTION DESCRICAO	PART No. PARTE	
			BAA26200F1	BAA26200F2
1	1	BOX CAIXA	BAA309H1	BAA309H2
2	1	TERMINAL BLOCK ASSEMBLY REGUA DE BORNES	BAA26200J1	
3	2	BOLT M5x10 PAR FE CC	40CH181700	
4	2	WASHER B5 ARRUELA FE. PRS.	03PG180600	
5	2	WASHER A5 ARRUELA FE. PARAL.	03PB181300	
6	2	WASHER A4,3 ARRUELA FE. PARAL.	03PB181200	
7	1	WASHER B4 ARRUELA FE. PRS.	03PG180400	
8	2	NUT M4 PORCA	43SD182000	



IDENTIFICATION DIRECTION
SENTIDO DE IDENTIFICACAO →

BAA26200F1/F2

REMARK: FOR LOWER LANDING
ONDE USADO: PARA PATAMAR INFERIOR



REVISION

PREVIOUS DATE:

OTIS

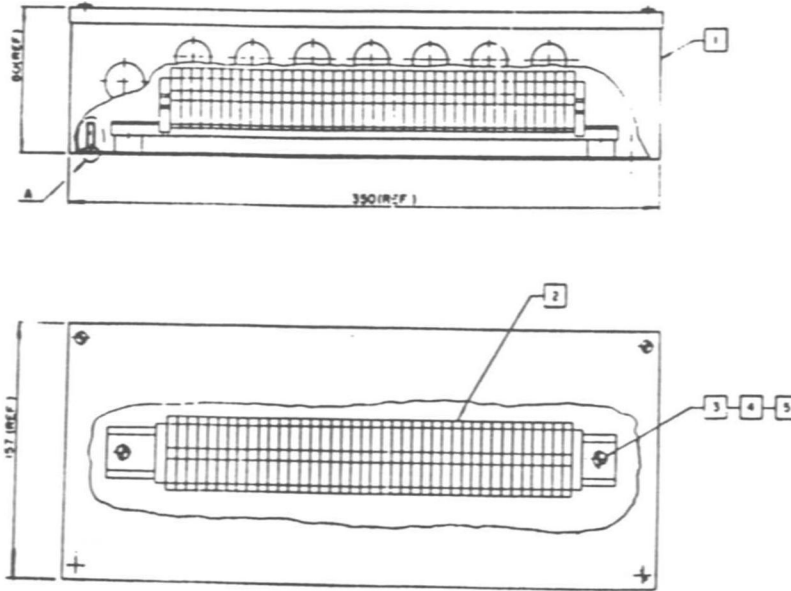
PARTS LEAFLET

PART No 50 - BAA26200W

SAO BERNARDO DO CAMPO
ENGINEERING DEPARTMENT

(JUNCTION BOXES AND DEMARCATION LIGHTS)
(CX. CONEXOES E LUZ DEMARCATORIA)

PAGE 31/39
DATE 95/02/24



← IDENTIFICATION DIRECTION
SENTIDO DE IDENTIFICAÇÃO

BAA26200F3 / F4

REMARK FOR UPPER LANDING
ONDE USADO JB2 PARA PATAMAR SUPERIOR

REF. ITEM	QTY. QTD.	DESCRIPTION DESCRICAÇÃO	PART No.	
			PARTE	PARTE
1	1	BOX CAIXA	BAA26200F3 BAA309K1	BAA26200F4 BAA309K2
2	1	TERMINAL BLOCK ASSEMBLY REGUA DE BORNES	BAA26200J2	
3	2	BOLT M5x10 PAR FE CC	40CH181700	
4	2	WASHER B5 ARRUELA FE. PRS.	03PG180600	
5	2	WASHER A5 ARRUELA FE. PARAL.	03PB181300	
6	2	WASHER A4,3 ARRUELA FE. PARAL.	03PB181200	
7	1	WASHER B4 ARRUELA FE. PRS.	03PG180400	
8	2	NUT M4 PORCA	43SD182000	

REVISION

PREVIOUS DATE:

OTIS

SAO BERNARDO DO CAMPO
ENGINEERING DEPARTMENT

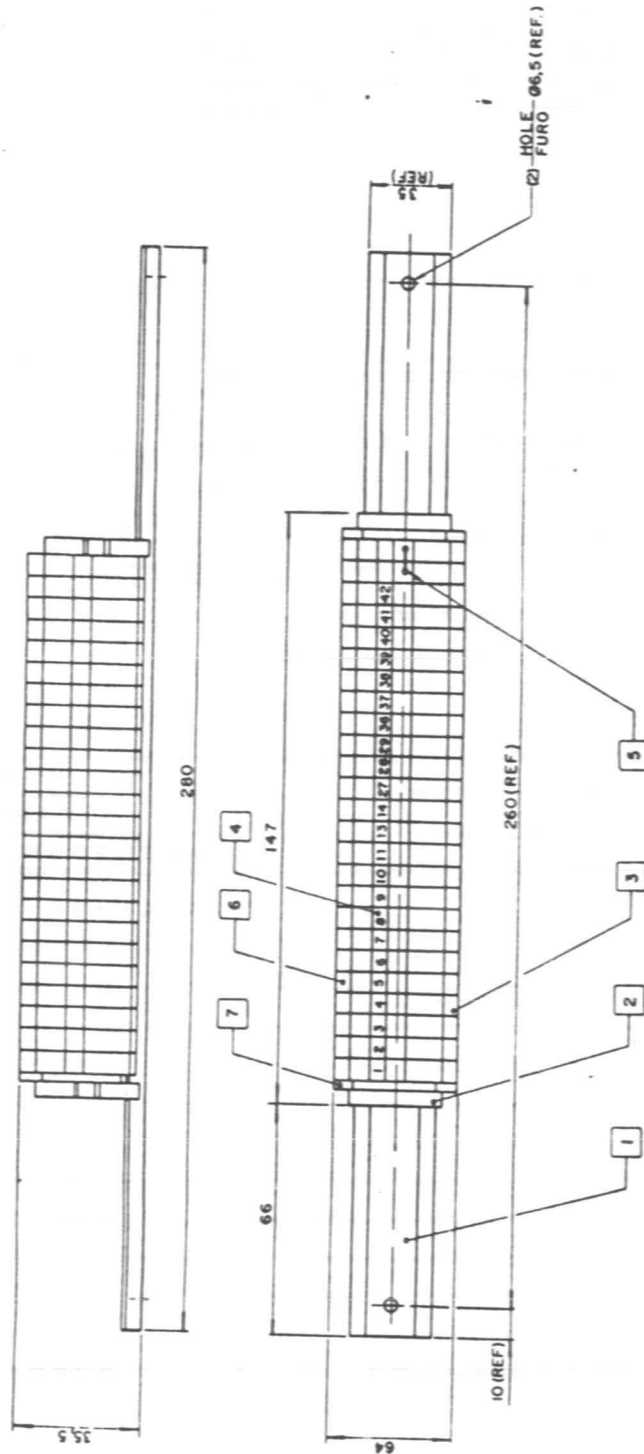
PARTS LEAFLET

(JUNCTION BOXES AND DEMARCATION LIGHTS)
(CX. CONEXOES E LUZ DEMARCATORIA)

PART No 50 - BAA26200W

PAGE 32/39

DATE 95/02/24



REVISION

PREVIOUS DATE:

OTIS

PARTS LEAFLET

PART No 50 - BAA26200W

SAO BERNARDO DO CAMPO
ENGINEERING DEPARTMENT

(JUNCTION BOXES AND DEMARCATION LIGHTS)
(CX. CONEXOES E LUZ DEMARCATORIA)

PAGE 33/39
DATE 95/02/24

ITEM	QTY. QTD.	DESCRIPTION DESCRICAO	PART No.
			PARTE
			BAA26200J1
1	1	RAIL TRILHO	BAA401A2
2	2	END STOP POSTE	BAA447B1
3	24	CONDUCTOR THROUHG TERM. BLOCK BLOCO TERMINAL	BAA303K1
4	1	HORIZONTAL MARKING IDENTIFICACAO	BAA102AJ1
5	1	HORIZONTAL JUMPER PONTE CONECTORA	BAA176G1
6	1	CONDUCTOR THROUGH TERM. BLOCK BLOCO TERMINAL	BAA303K2
7	1	COVER TAMPA	BAA254C1

r REVISION

PREVIOUS DATE:

OTIS

SAO BERNARDO DO CAMPO
ENGINEERING DEPARTMENT

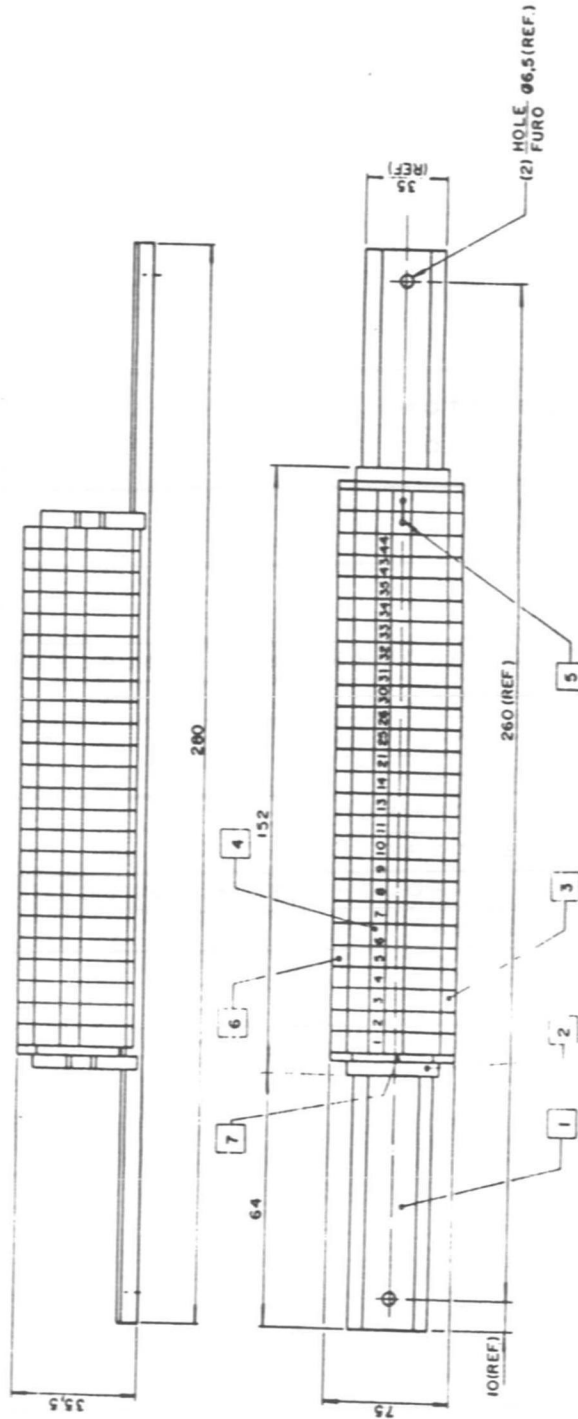
PARTS LEAFLET

(JUNCTION BOXES AND DEMARCATION LIGHTS)
(CX. CONEXOES E LUZ DEMARCATORIA)

PART No 50 - BAA26200W

PAGE 34/39

DATE 95/02/24



REVISION

PREVIOUS DATE:

OTIS

PARTS LEAFLET

PART No 50 - BAA26200W

SAO BERNARDO DO CAMPO
ENGINEERING DEPARTMENT

(JUNCTION BOXES AND DEMARCATION LIGHTS)
(CX. CONEXOES E LUZ DEMARCATORIA)

PAGE 35/39
DATE 95/02/24

ITEM	QTY. QTD.	DESCRIPTION DESCRICAO	PART No.
			PARTE
			BAA26200J2
1	1	RAIL TRILHO	BAA401A2
2	2	END STOP POSTE	BAA447B1
3	25	CONDUCTOR THROUGH TERM. BLOCK BLOCO TERMINAL	BAA303K3
4	1	HORIZONTAL MARKING IDENTIFICACAO	BAA102AJ1
5	1	HORIZONTAL JUMPER PONTE CONECTORA	BAA176G1
6	1	CONDUCTOR THROUGH TERM. BLOCK BLOCO TERMINAL	BAA303K4
7	1	COVER TAMPA	BAA254C2

REVISION

PREVIOUS DATE:

OTIS

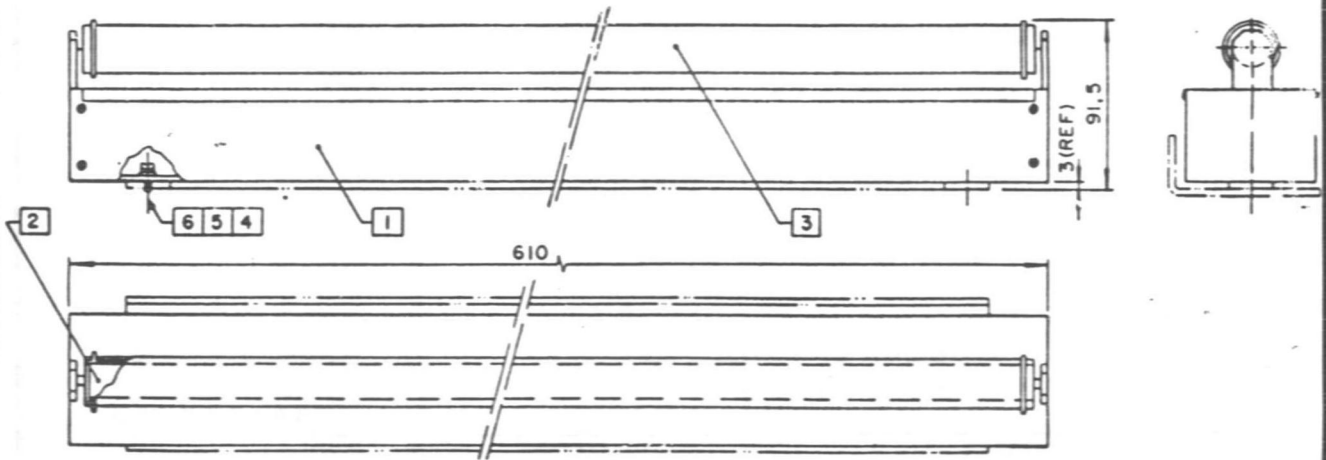
PARTS LEAFLET

PART No 50 - BAA26200W

SAO BERNARDO DO CAMPO
ENGINEERING DEPARTMENT

(JUNCTION BOXES AND DEMARCATION LIGHTS)
(CX. CONEXOES E LUZ DEMARCATORIA)

PAGE 36/39
DATE 95/02/24



REF. ITEM	QTY QTD	DESCRIPTION DESCRICAO	PART No.
			PARTE
			BAA26200P1
1	1	FIXTURE, LIGHTING LUSTRE	BAA417C1
2	1	LAMP LAMPADA	BAA424B1
3	1	TUBE TUBO	BAA137D1
4	2 (REF)	SCREW M5x12 PFFC	40CH181800
5	2 (REF)	WASHER AS, 3 AR FE PAR	03PB181300
6	2 (REF)	WASHER BS AR FE PRS	03PG180600

REVISION

PREVIOUS DATE:

OTIS

PARTS LEAFLET

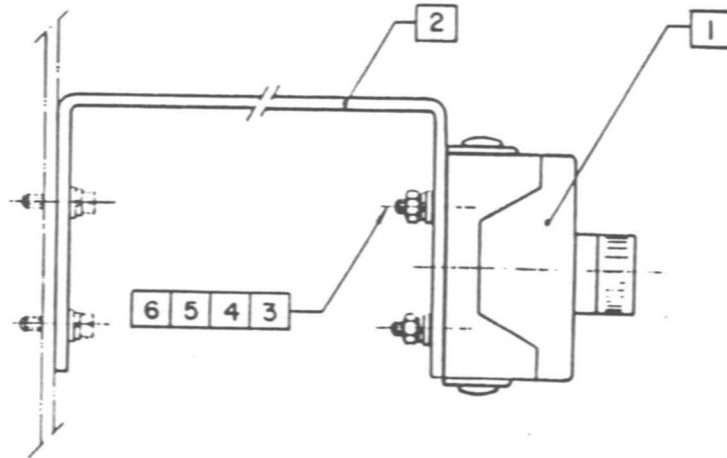
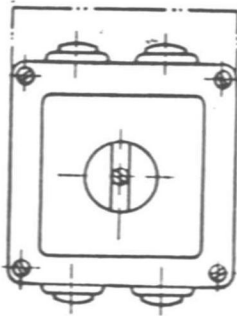
PART No 50 - BAA26200W

SAO BERNARDO DO CAMPO
ENGINEERING DEPARTMENT

(JUNCTION BOXES AND DEMARCATION LIGHTS)
(CX. CONEXOES E LUZ DEMARCATORIA)

PAGE 37/39

DATE 95/02/24



REF. ITEM	QTY QTD	DESCRIPTION DESCRICAO	PART No.
			PARTE
			BAA26200M1
1	1	SWITCH CHAVE	BAA636A1
2	1	BRACKET SUPORTE	BAA316KG1
3	2	SCREW M3x12 PFFC	40CH180500
4	2	NUT M3 PRC	43SD181900
5	2	WASHER A3,2 AR FE PAR	03PB181000
6	2	WASHER B3 AR FE PRS	03PG180300

REVISION

PREVIOUS DATE:

OTIS

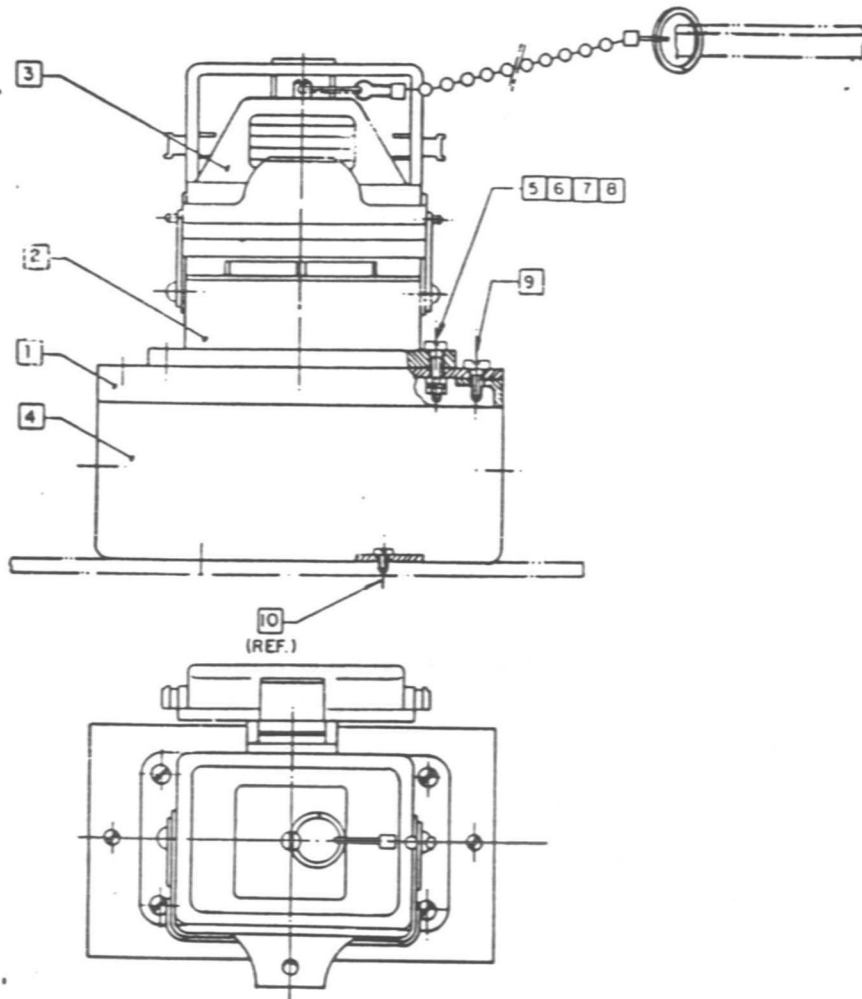
PARTS LEAFLET

50-BAA26200W

SAO BERNARDO DO CAMPO
ENGINEERING DEPARTMENT

(JUNCTION BOXES AND DEMARCATION LIGHTS)
(CX. CONEXOES E LUZ DEMARCATORIA)

PAGE 38/39
DATE 95/02/24



REVISION

PREVIOUS DATE:

OTIS

PARTS LEAFLET

PART No 50 - BAA26200W

SAO BERNARDO DO CAMPO
ENGINEERING DEPARTMENT

(JUNCTION BOXES AND DEMARCATION LIGHTS)
(CX. CONEXOES E LUZ DEMARCATORIA)

PAGE 39/39
DATE 95/02/24

REF. ITEM	QTY QTD	DESCRIPTION DESCRICAO	PART No. PARTE
			BAA26200E1
1	1	COVER TAMPA	BAA285P2
2	1	SOCKET SOQUETE	GO190BJ4
3	1	PLUG PLUGUE	GO190BH4
4	1	BOX CAIXA	BAA309L2
5	4	SCREW M4x16 PFFC	40CH181200
6	4	WASHER A4,3 AR FE PAR	03PB181200
7	4	WASHER B4 AR FE PRS	03PG180400
8	4	NUT BM4 PRC	43SD180100
9	2	SCREW M3x8 PFFC	40CH180300
10	2 (REF)	SCREW M4x10 PFFC	40CH180900

REVISION

PREVIOUS DATE:

