

OTIS

PARTS LEAFLET

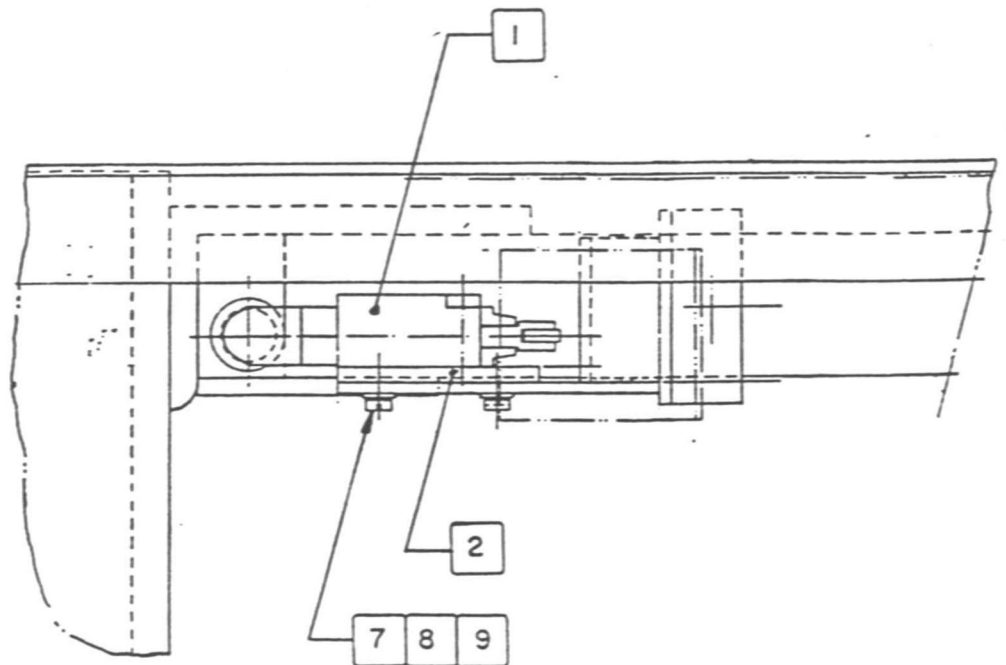
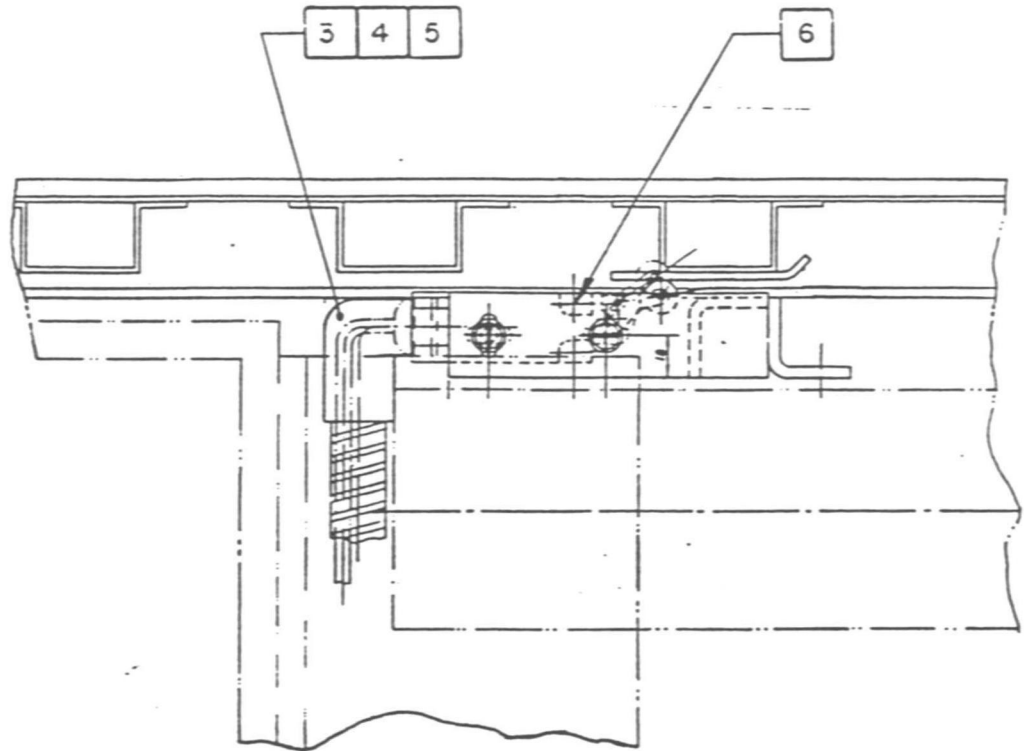
PAGE No. 50 - BAA26220BC

SAO BERNARDO DO CAMPO  
ENGINEERING DEPARTMENT

SEGURANCAS - K2/K3 - 30 - NAO  
( SAFETIES DEVICE - K2/K3 - 30 - NAO )

PAGE 1/2

DATE 94/08/09



ORIGINAL

REVISION

PREVIOUS DATE:

OTIS

PARTS LEAFLET

PAGE No. 50 - BAA26220BC

PAGE 2/2

DATE 94/08/09

SAO BERNARDO DO CAMPO  
ENGINEERING DEPARTMENT

SEGURANCAS - K2/K3 - 30 - NAO  
( SAFETIES DEVICE - K2/K3 - 30 - NAO )

| REF.<br>ITEM | QTY<br>QTD | DESCRIPTION<br>DESCRICAO          | PART No.           |                       |
|--------------|------------|-----------------------------------|--------------------|-----------------------|
|              |            |                                   | PARTE              |                       |
|              |            |                                   | BAA26220BC1<br>EUA | BAA26220BC2<br>CANADA |
| 1            | 1          | SWITCH<br>INTERRUPTOR             | BAA177G3           |                       |
| 2            | 1          | BRACKET<br>SUPORTE                | BAA386LY           |                       |
| 3            | 1          | CORD CONNECTOR<br>PRENSA CABO     | BAA440N10          | _____                 |
| 4            | 1          | ADAPTER<br>ADAPTADOR              | _____              | BAA440L1              |
| 5            | 1          | CURVE CONNECTOR<br>CONECTOR CURVO | _____              | BAA440K2              |
| 6            | 2          | SCREW M4x30<br>PFLC               | 40CH220070         |                       |
| 7            | 2          | SCREW M6x10<br>PFLC               | 40CH182500         |                       |
| 8            | 2          | WASHER A6,4<br>AR FE PAR          | 03PB181400         |                       |
| 9            | 2          | WASHER B6<br>AR FE PRS            | 03PG180800         |                       |

r REVISION

PREVIOUS DATE: