

OTIS

SAO BERNARDO DO CAMPO
ENGINEERING DEPARTMENT

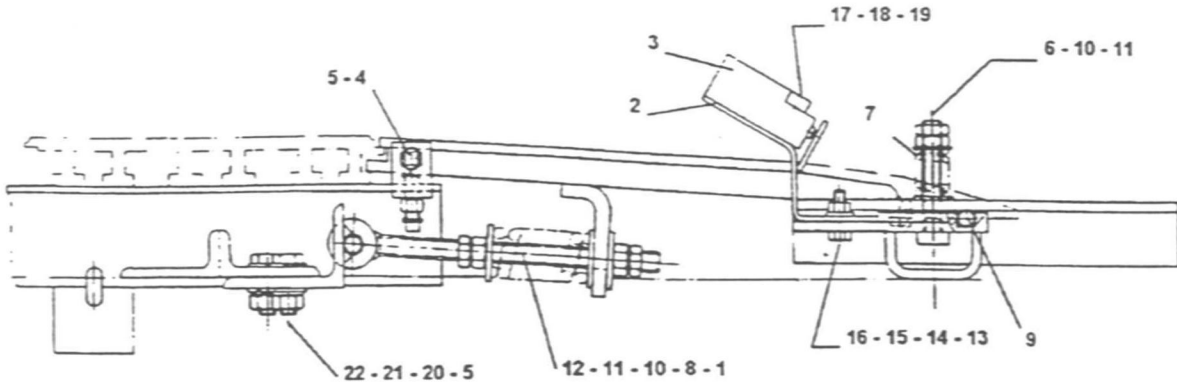
PARTS LEAFLET

DISPOSITIVO DE SEGURANCA DA PLACA PENTE - NAO / LAO
(COMB PLATE IMPACT DEVICE - NAO / LAO)

50 - BAA26220CA

PAGE: 1 / 2

DATE: 96 / 07 / 03



REF. NUM.	DESCRIÇÃO DESCRIPTION	PARTE NUMERO PART OR ML
1	MANCAL (BEARING)	BAA212B1
2	SUORTE (BRACKET)	BAA316SM 1 BAA316SM 2
3	MICRO (LIMIT SWITCH)	BAA177G1
4	PARAFUSO (BOLT)	PFFSA M 10x35 DIN561 40SD181510
5	PORCA (NUT)	PRC FS M 10 DIN934 43SD182400
6	PARAFUSO (BOLT)	PFFS M 12x65 DIN931 40SD182850
7	MOLA (SPRING)	90BC2
8	MOLA (SPRING)	BAA90D1
9	ESFERA - AC10 (BALL - AC 10)	25XX030200
10	PORCA (NUT)	PRC FS M 12 DIN934 43SD182500
11	ARRUELA (SPRING)	AR FE PAR A13 DIN125 03PB181900
12	PORCA (NUT)	CPRC FS M 12 DIN936 14SD180700
13	PARAFUSO (BOLT)	PFFS M 8x25 DIN933 40SD185010

REVISION

PREVIOUS DATE: _ / _ / _

REF. NUM.	DESCRIÇÃO DESCRIPTION	PARTE NUMERO PART OR ML
14	ARRUELA (WASHER) AR FE PAR A8,4 DIN125	03PB181600
15	ARRUELA DE PRESSÃO (SPRING WASHER) AR FE PRS B8 DIN127	03PG181000
16	PORCA (NUT) PRC FS M 8 DIN934	43SD182300
17	PARAFUSO (BOLT) PFFC M 4x35 DIN84	40CH181500
18	ARRUELA DE PRESSÃO (SPRING WASHER) AR FE PRS B4 DIN127	03PG180400
19	PORCA (NUT) PRC FS M 4 DIN934	43SD182000
20	PARAFUSO (BOLT) PFFS M 10x30 DIN933	40SD185225
21	ARRUELA (WASHER) AR FE PAR A10,5 DIN125	03PB181700
22	ARRUELA (WASHER) AR FE PRS B10 DIN127	03PG181100