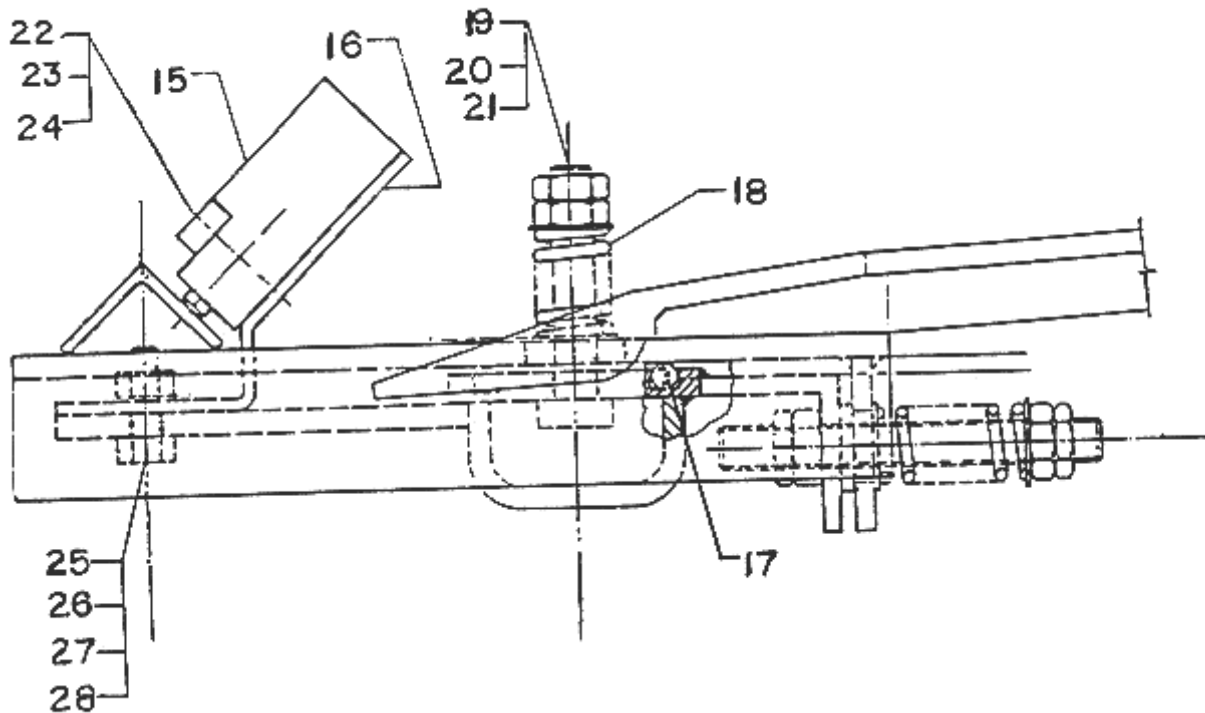


Unpublished Work - © Otis Elevator Company. Any unauthorized reproduction, disclosure, or distribution of copies or content by any person of any portion of this work may be a violation of Copyright Law of the United States of America. All rights reserved.

December 1990

Page 1

SEGURANCA DA PLACA PENTE (COMB STEP IMPACT DEVICE - CHAIN DEVICE)
CS1L/CS1R - CS2L/CS2R



SPL 50-BAA26220E - Safeties Device - K2/K3 - 30 - NAO

Page 2

REF.NUM.	DESCRIPTION	PART OR ML
15	LIMIT SWITCH	BAA177G1
16	BRACKET	BAA316GP1
17	BALL	25XX030400
18	SPRING	90LB5
19	NUT PRC FS M12 DIN 934	43SD182500
20	WASHER A13 DIN 125	03PB181900
21	BOLT FS M12x65 DIN931	40SD182850
22	BOLT FC M4x44 DIN84	40CH181550
23	SPRING WASHER B4 DIN 127	03PG180400
24	NUT FS M4 DIN 934	40SD182000
25	BOLT FS M8x25 DIN933	40SD185010
26	WASHER FE A8.4 DIN 125	03PB181600
27	SPRING WASHER B8 DIN 127	03PG181000
28	NUT FS M8 DIN 934	43SD182300