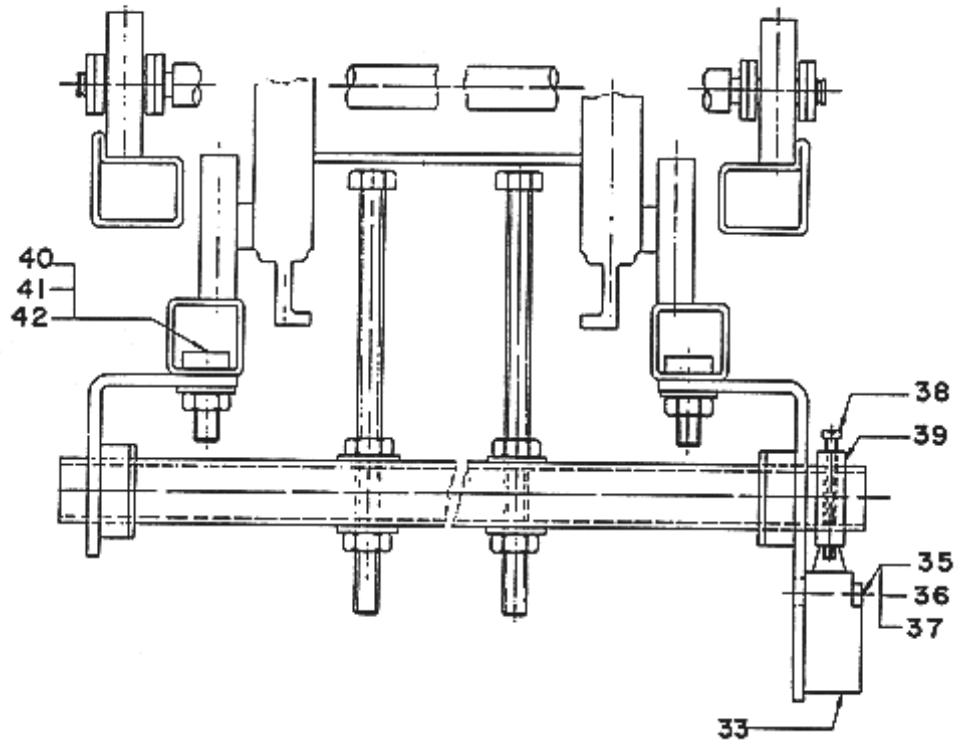


Unpublished Work - © Otis Elevator Company. Any unauthorized reproduction, disclosure, or distribution of copies or content by any person of any portion of this work may be a violation of Copyright Law of the United States of America. All rights reserved.

December 1990

Page 1 - STEP LEVEL DEVICE, LOWER LANDING SL1

SEGURANCA PARA DEGRAU EM NIVEL (STEP LEVEL DEVICE)
PATAMAR INFERIOR (LOWER LANDING)
SL1

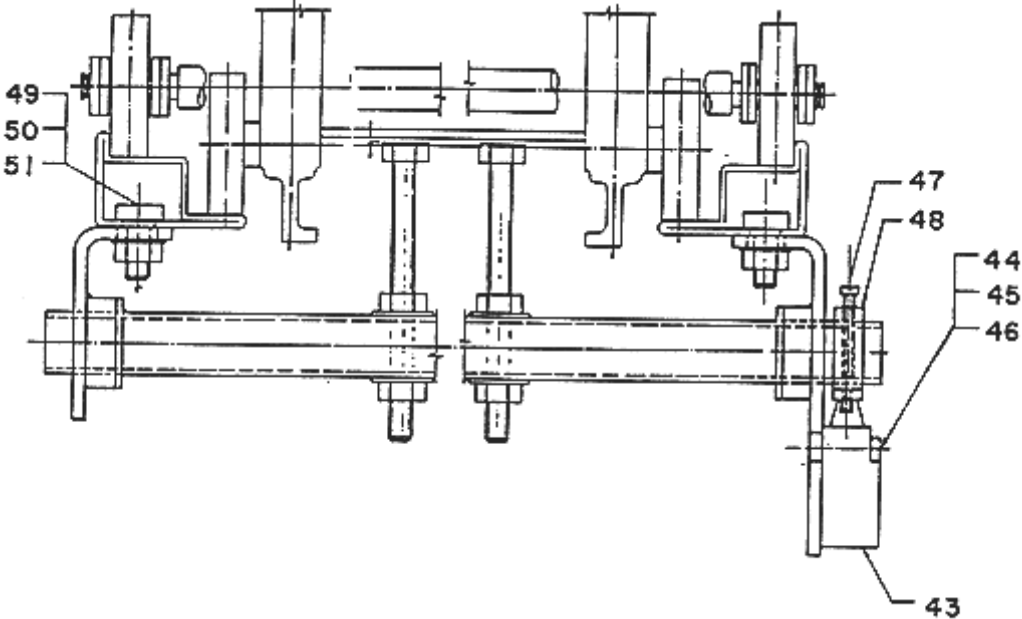


SPL 50-BAA26220K - Safeties Device - K2/K3 - 30 - NAO

Page 2

REF. NUM.	DESCRIPTION	PART OR ML
33	LIMIT SWITCH	BAA177G2
35	BOLT FC M1x40 DIN84	40CH181550
36	SPRING WASHER B4 DIN 127	03PG180400
37	NUT FS M4 DIN 934	43SD18200
38	BOLT FC M4 M6x50 DIN84	40CH183130
39	BUSHING	BAA321E1
40	BOLT	F065CL1
41	SPRING WASHER B12 DIN 127	03PG181200
42	NUT FS M12 DIN 934	43SD182500

SEGURANCA PARA DEGRAU EM NIVEL (STEP LEVEL DEVICE)
PATAMAR SUPERIOR (UPPER LANDING)
SL2



SPL 50-BAA26220K - Safeties Device - K2/K3 - 30 - NAO

Page 4

REF. NUM.	DESCRIPTION	PART OR ML
43	LIMIT SWITCH	BAA177G2
44	BOLT FC M4x40 DIN84	40CH181550
45	SPRING WASHER B4 DIN 127	03PG180400
46	NUT FS M4 DIN 934	43SD182000
47	BOLT FC M6x50 DIN84	40CH183130
48	BUSHING	BAA321E1
49	BOLT	F065CL1
50	SPRING WASHER B12 DIN 127	03PG181200
51	NUT FS M12 DIN 934	43SD182500