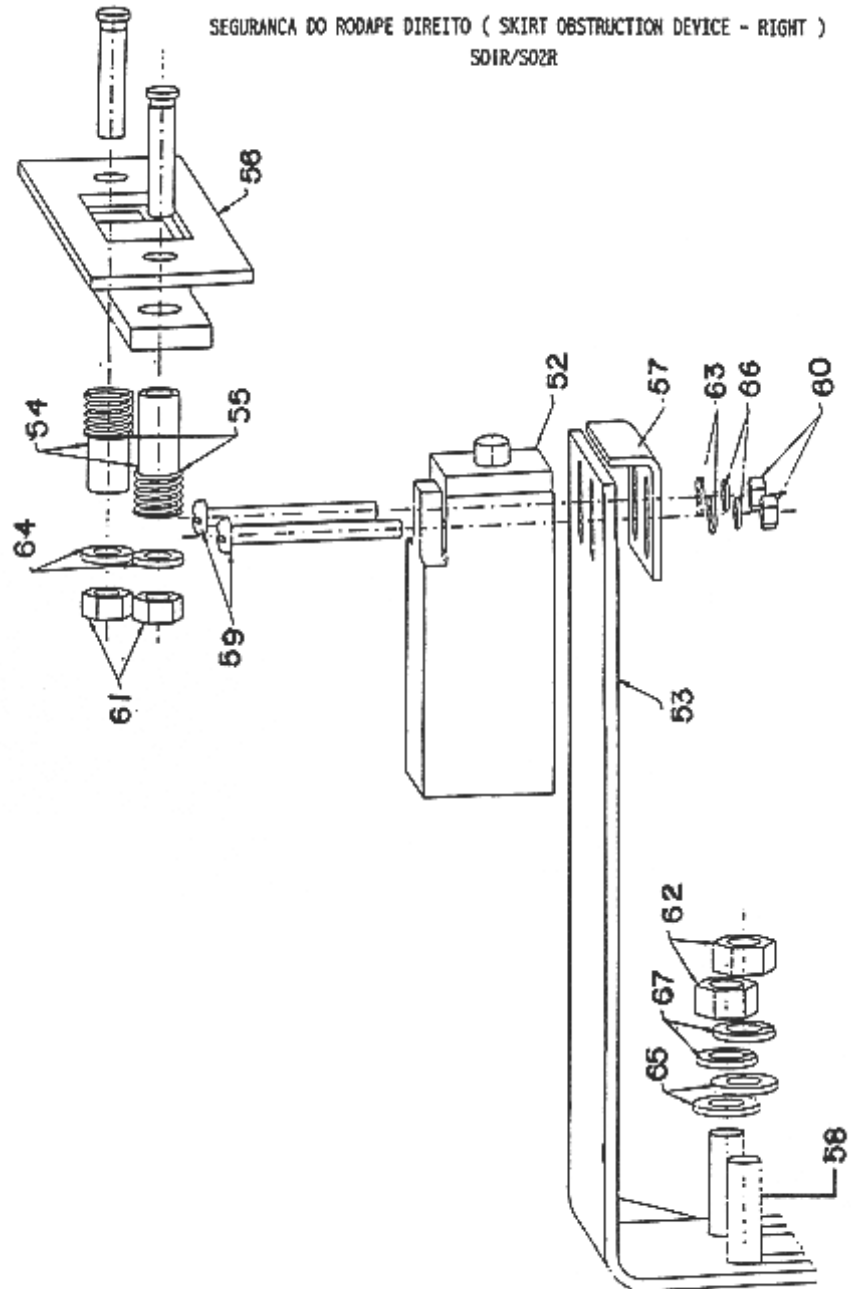


# SPL 50-BAA26220P - Skirt Obstruction Device - Right SO1R/SO2R

Unpublished Work - © Otis Elevator Company. Any unauthorized reproduction, disclosure, or distribution of copies or content by any person of any portion of this work may be a violation of Copyright Law of the United States of America. All rights reserved.

December 1990

Page 1



**SPL 50-BAA26220P - Skirt Obstruction Device - Right SO1R/SO2R**

Page 2

<b>REF. NUM.</b>	<b>DESCRIPTION</b>	<b>PART OR ML</b>
<b>52</b>	SWITCH	BAA177G1
<b>53</b>	BRACKET	BAA316JS1
<b>54</b>	SPACER	BAA462N1
<b>55</b>	SPRING	BAA90B1
<b>56</b>	BACK PLATE	BAA343E1
<b>57</b>	BRACKET	BAA316JY1
<b>58</b>	STUD	BO81BJ15
<b>59</b>	BOLT FC M4x35 DIN84	40CH181500
<b>60</b>	NUT FS M4 DIN 934	43SD182000
<b>61</b>	NUT FS M6 DIN 934	43SD182200
<b>62</b>	NUT FS M8 DIN 934	43SD182302
<b>63</b>	WASHER A4.3 DIN 125	03PB181200
<b>64</b>	WASHER A6.4 DIN 125	03PB181400
<b>65</b>	WASHER A8.4 DIN 125	03PB181600
<b>66</b>	SPRING WASHER B4 DIN 127	03PG180400
<b>67</b>	SPRING WASHER B8 DIN 127	03PG181000
<b>67A</b>	CONTACT BLOCK	BAA310F1