

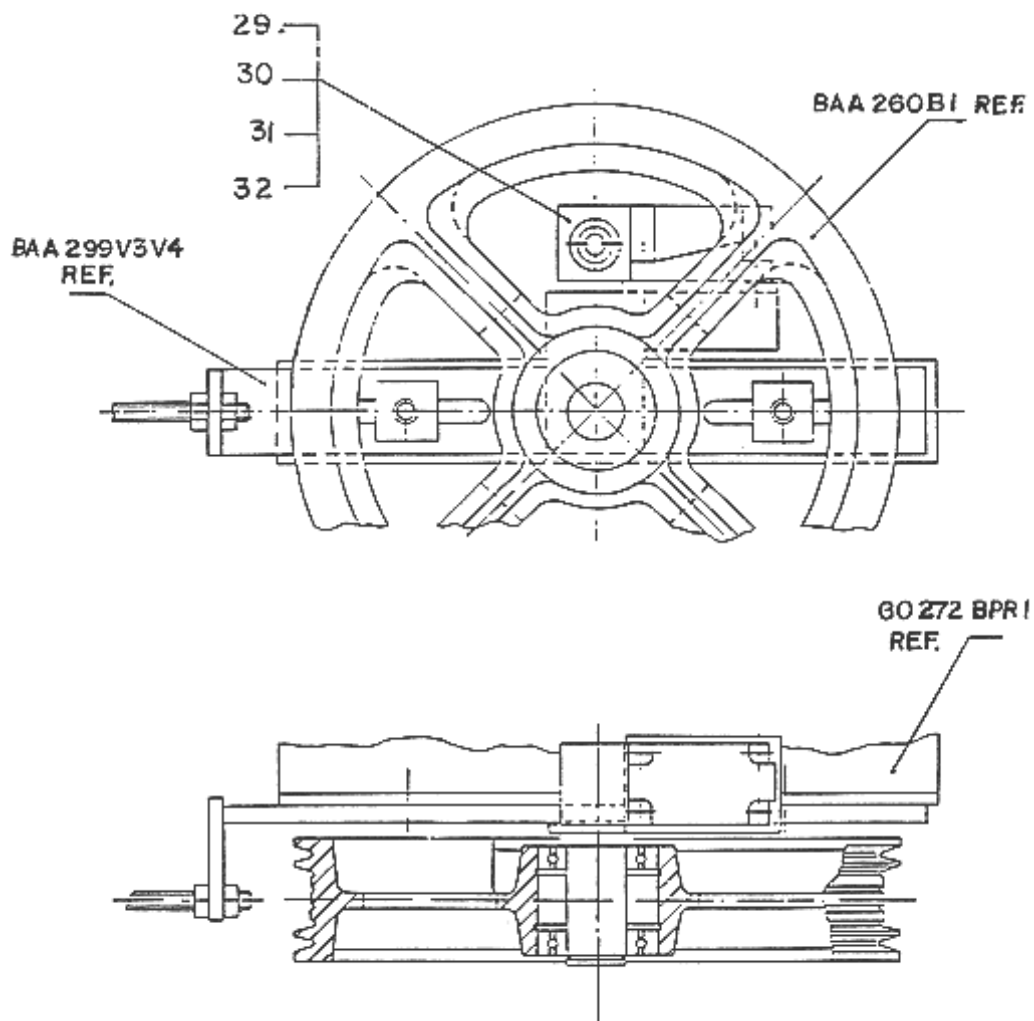
SPL 50-BAA26220X - Handrail - Speed Monitoring Device HSML/HSMR

Unpublished Work - © Otis Elevator Company. Any unauthorized reproduction, disclosure, or distribution of copies or content by any person of any portion of this work may be a violation of Copyright Law of the United States of America. All rights reserved.

December 1990

Page 1

MONITOR DE VELOCIDADE DO CORRIMAO (HANDRAIL - SPEED MONITORING DEVICE)
HSML/HSMR



SPL 50-BAA26220X - Handrail - Speed Monitoring Device HSML/HSMR

Page 2

REF. NUM.	DESCRIPTION	PART OR ML
29	MONITORING	BAA645B1
30	BOLT FC M4x30 IN84	40CH181490
31	SPRING WASHER FE B4 DIN 127	03PG180400
32	NUT FS M4 DIN 934	43SD182000