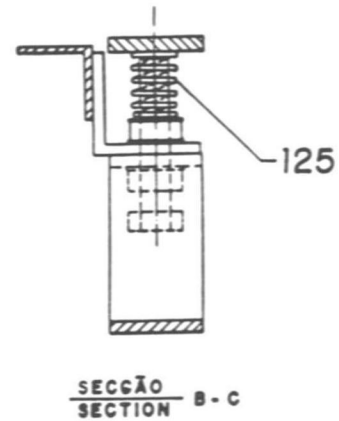
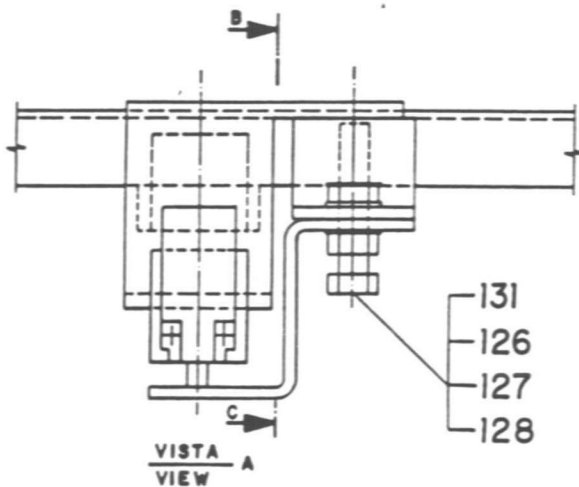
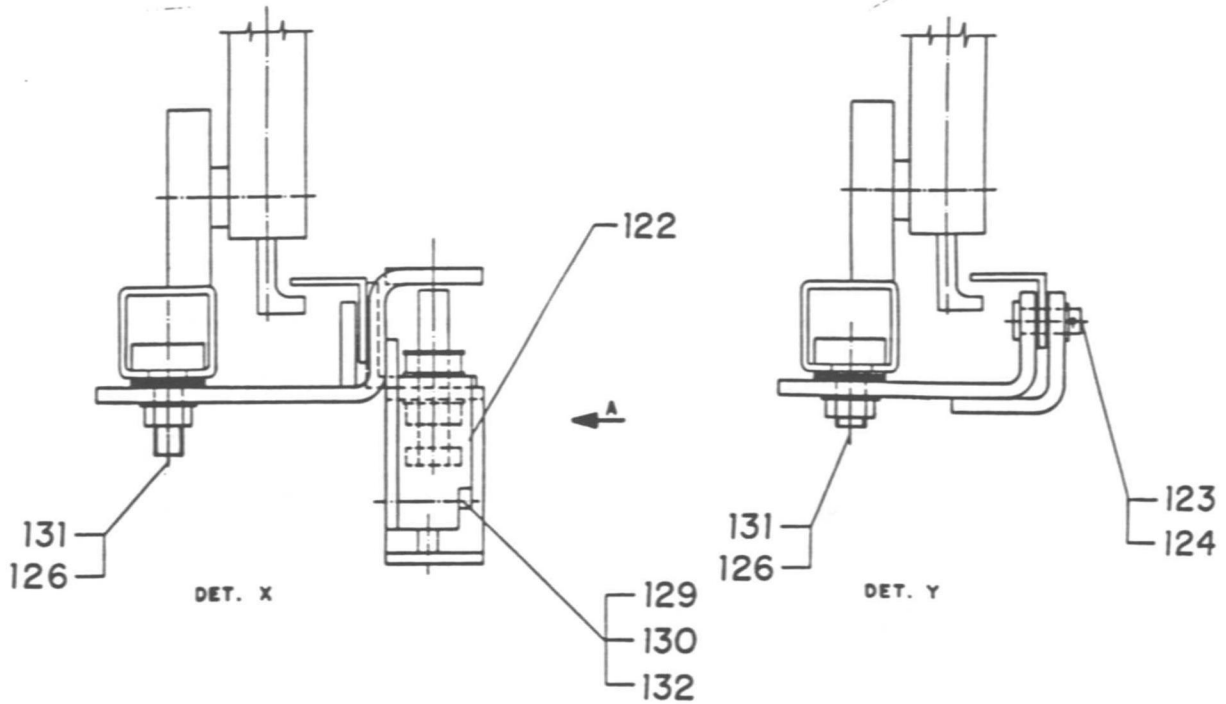
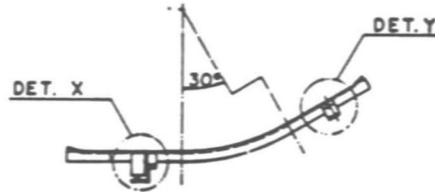


SEGURANCA DE SUBLEVANT.DO DEGRAU NO PAT. INF. (STEP UPTHRUST DEVICE LOWER LANDING)
SUIL/SUIR



OTIS

PARTS LEAFLET

50-BAB26220C

SAO BERNARDO DO CAMPO
ENGINEERING DEPARTMENT

SEGURANCAS - K2/K3 - 30 - NAO
(SAFETIES DEVICE - K2/K3 - 30 - NAO)

PAGE 2/2
DATE 94/12/02

SEGURANCA DE SUBLEVANT.DO DEGRAU NO PAT. INF. E SUP. (STEP UPTHRUST DEVICE LOWER AND UPPER LANDING)
SU1L/SU1R/SU2L/SU2R

REF. NUM.	DESCRICAO DESCRIPTION	PARTE NUMERO PART OR ML
122	MICRO (LIMIT SWITCH)	BAA177G1
123	CONTRA PINO DIN 94 (SPLIT PIN)	13XX180200
124	PINO (PIN)	BAA77H1
125	MOLA (SPRING)	90LB5
126	PORCA PRC FS M12 DIN 934 (NUT)	43SD182500
127	ARRUELA PARALELA A13 DIN 125 (WASHER)	03PB181900
128	PARAFUSO FS M12x70 DIN933 (BOLT)	40SD185430
129	PARAFUSO FC M4x40 DIN84 (BOLT)	40CH181550
130	ARRUELA DE PRESSAO B4 DIN 127 (SPRING WASHER)	03PG180400
131	ARRUELA FE PRS B12 DIN 127 (SPRING WASHER)	03PG181200
132	PORCA FS M4 DIN 934 (NUT)	43SD182000

r REVISION

PREVIOUS DATE: ___/___/___