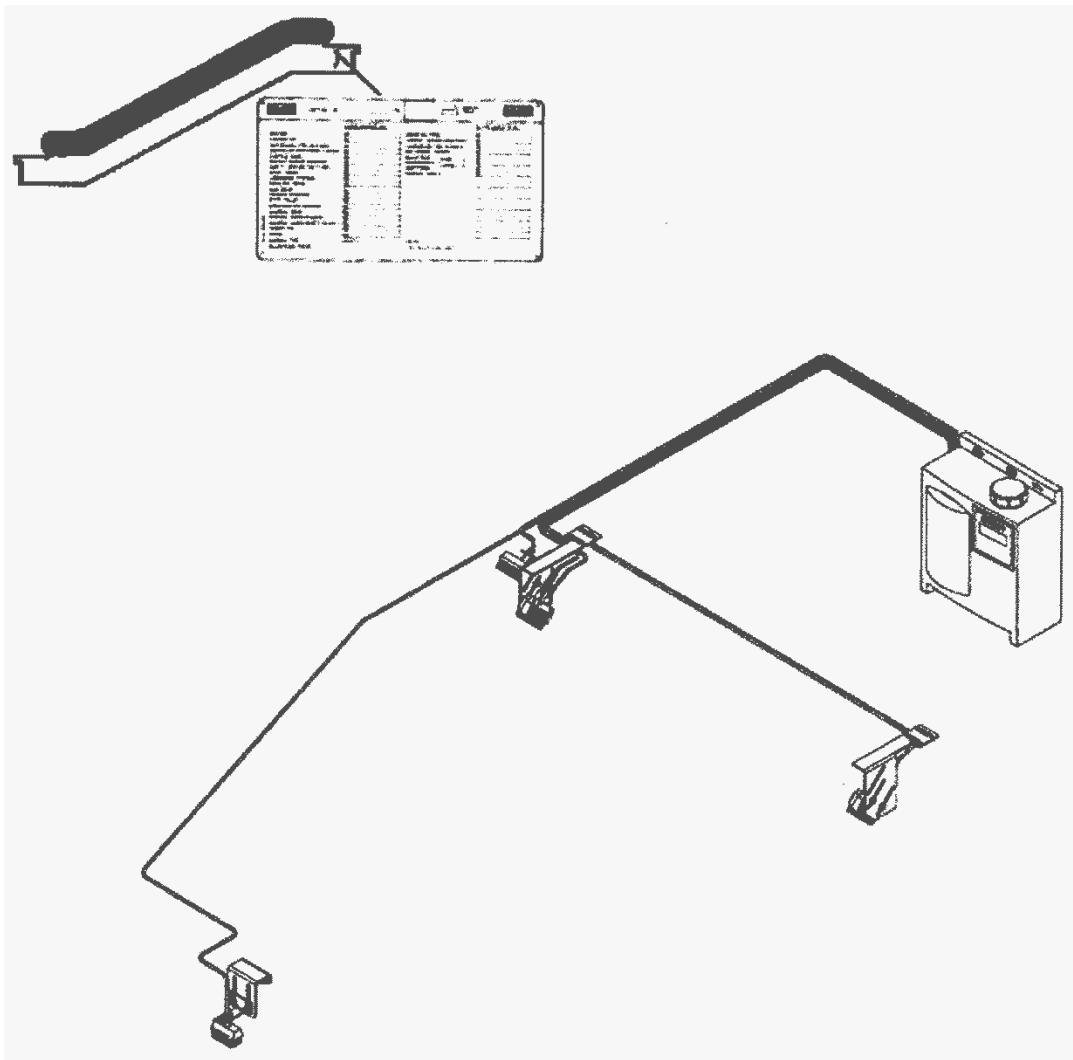


508NCE / 512NCE / 515NPE-S
/ 515NPE-L Escalator High
Efficiency Automatic
Lubrication System

Spare Parts Leaflet
50-DAA26190B

December 30, 2013 / Page 1 of 5



OTIS

SERVICE ENGINEERING
Otis Elevator Company
SIT GUANGZHOU

Unpublished Work—© Otis Elevator Co.; 2013

Leaflet Description

High efficiency automatic lubrication system

Leaflet Revisions

Date Revised	Subject Matter Expert	Reason for Revision
2009-05-20	Gao, Yinglin	Release
2010-03-30	He, Songijan	Add oil #55 at page 5
2010-06-30	He, Songijan	Add oil #55 part No. at page 5
2013-12-30	Gao, Yinglin	Add ref. No. 6 at page 5

Related Drawings

Drawing No.	Title	Drawing No.	Title
DAA26190B	High Efficiency Automatic Lubrication System		

Related Documents

Document ID	Title
BOM DAA26190B	High Efficiency Automatic Lubrication System

Subject Matter Expert

Name	Department
Gao, Yinglin	SIT-GUANGZHOU

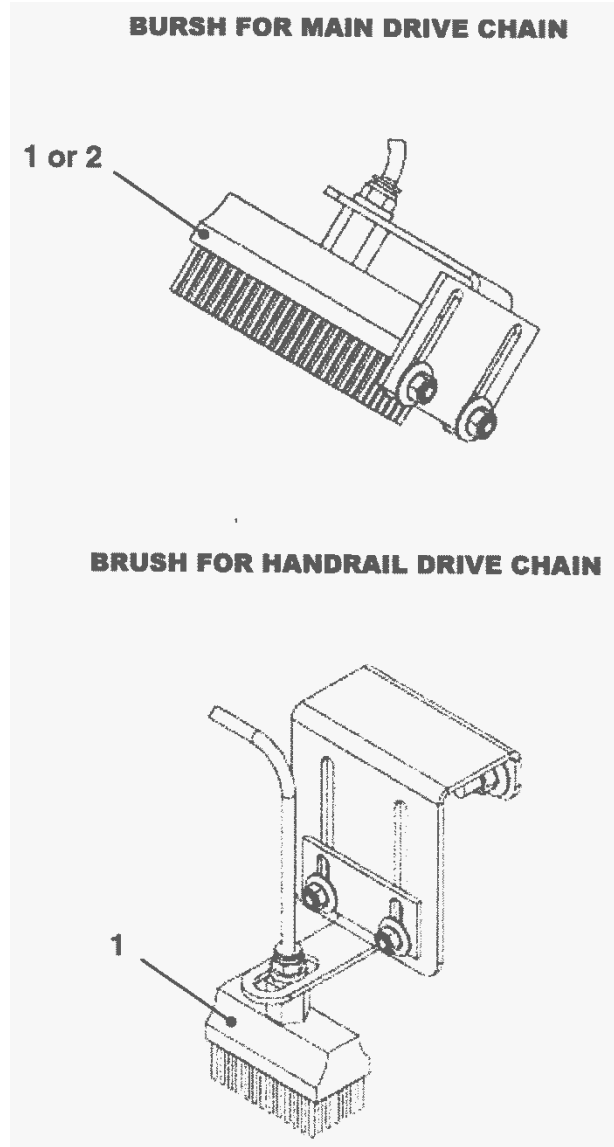
About Spare Parts Leaflets...

This document lists the lowest replaceable units (LRUs) for the standard version of the product. The LRUs are chosen by a team of Otis associates representing engineering and manufacturing.

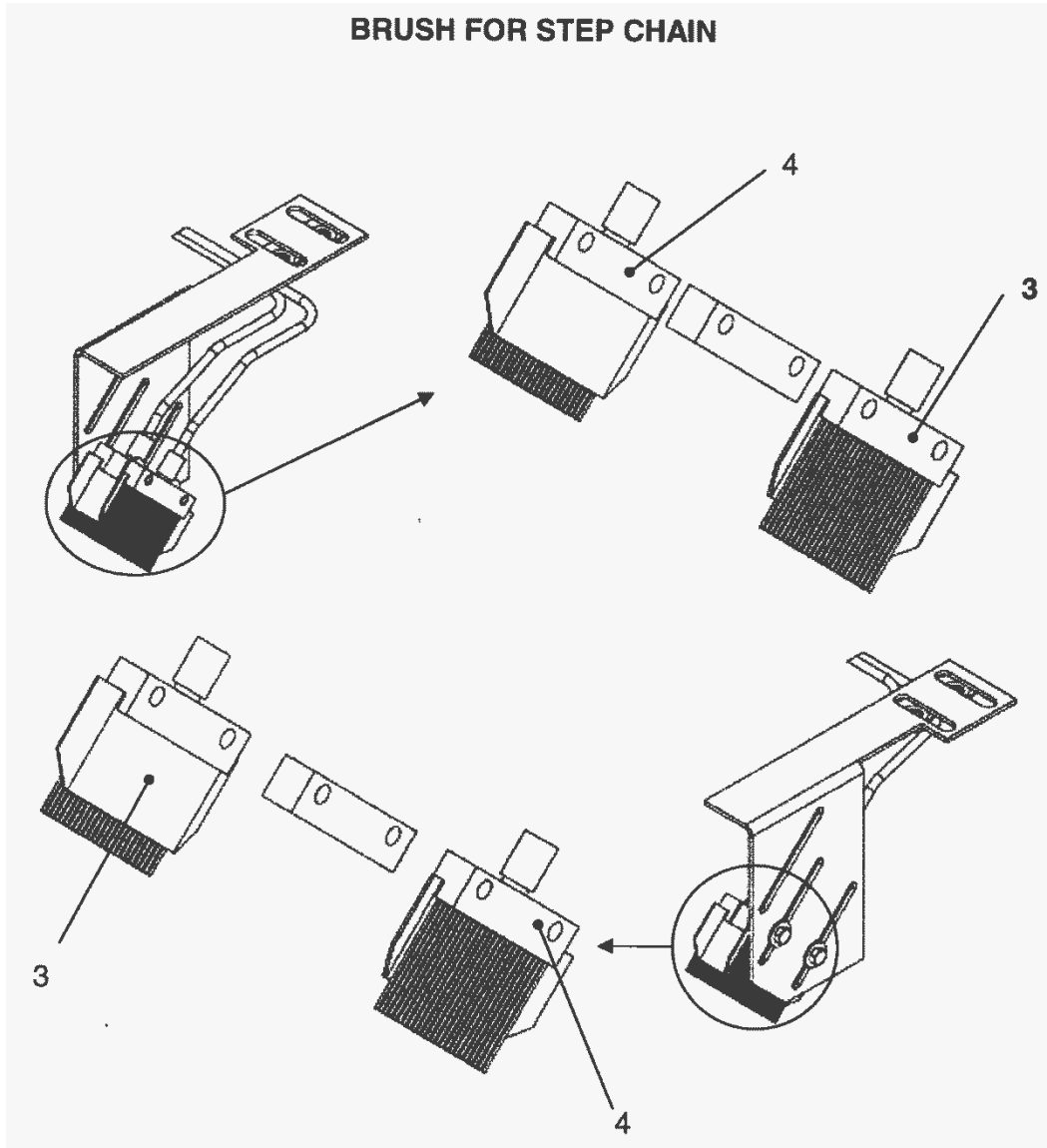
While goal of this document is to make parts identification as easy as possible, the document cannot be all-inclusive. Elevator and escalator contracts classified as "special" or "custom" are not addressed here. For such contracts, please refer to specified information, the contract folder, TIPS, Field Education Articles, Construction Letters, etc. for further information.

If you have any suggestions about this document, please contact the subject matter expert listed on this page.

515NPE-L Escalator

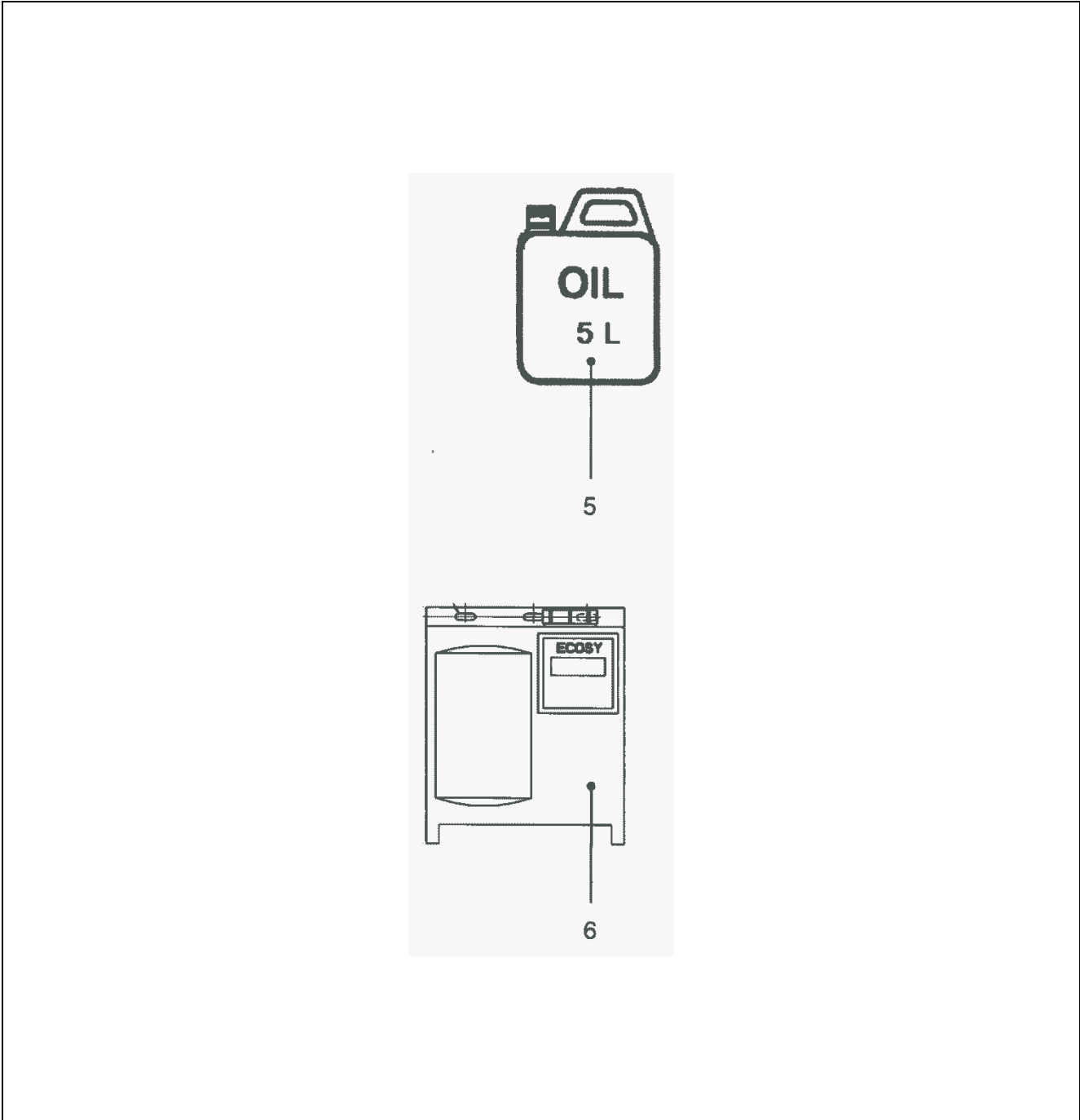


DAA26190B			
REF. No.	PART No.	DESCRIPTION	
1	DAA241A1	Brush	60 x 30 mm
2	DAA241A2	Brush	100 x 30 mm for Triple Chain



REF. No.	PART No.	DESCRIPTION	
	DAA26190B		
3	DAA241B1	Brush	With 2-M6 Holes
4	DAA241B2	Brush	With 2- Diameter 6.5 Holes

515NPE-L Escalator



REF. No.	PART No.	DESCRIPTION
5	DAA518A2-P01	Otis Oil #55 (Kluber Hotemp 2000) 5 Liters
6	DAA711F1	Pump with Impulse Sensor