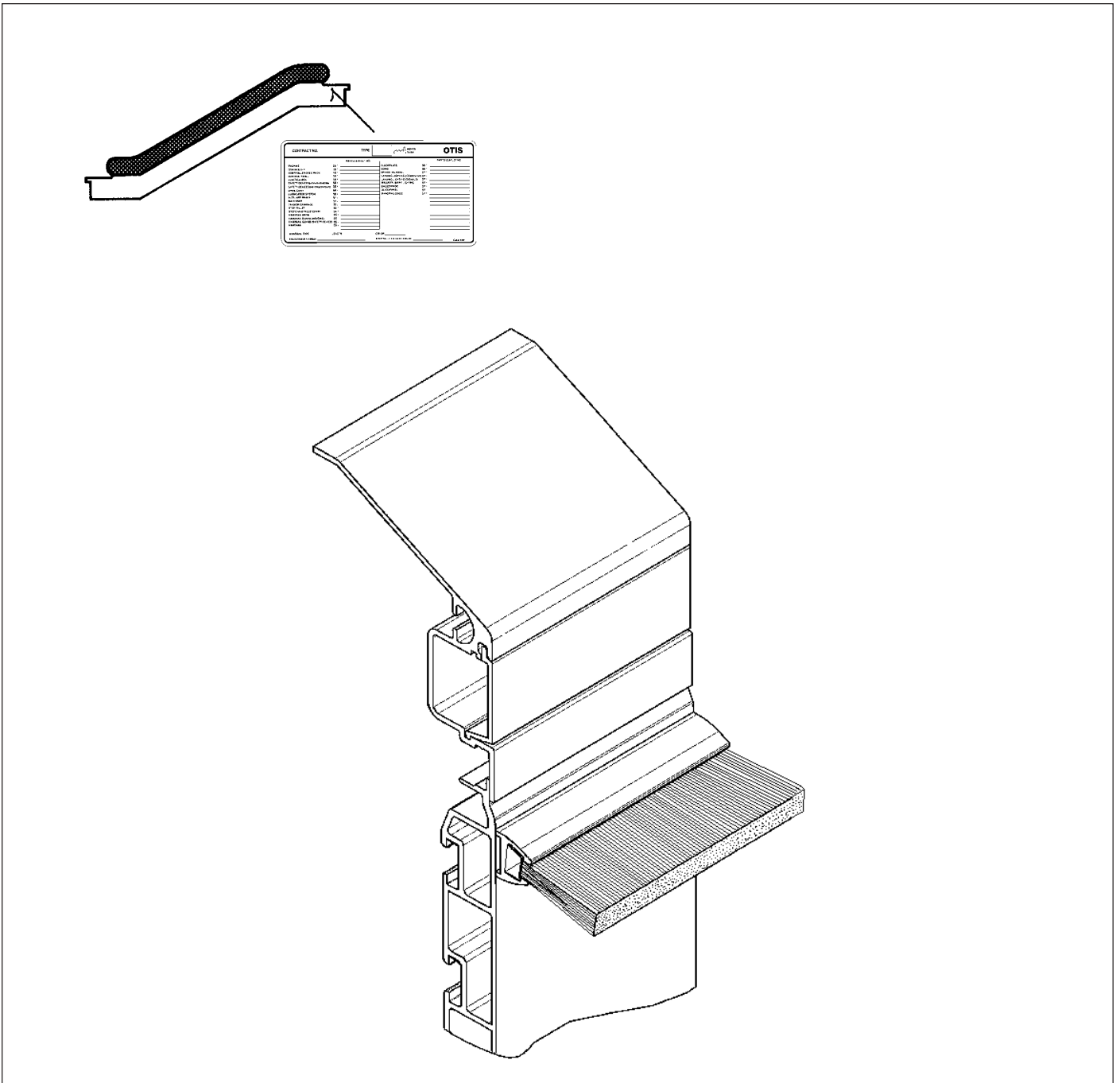


## Escalator Brush Deflector Device

50-G..26220BW

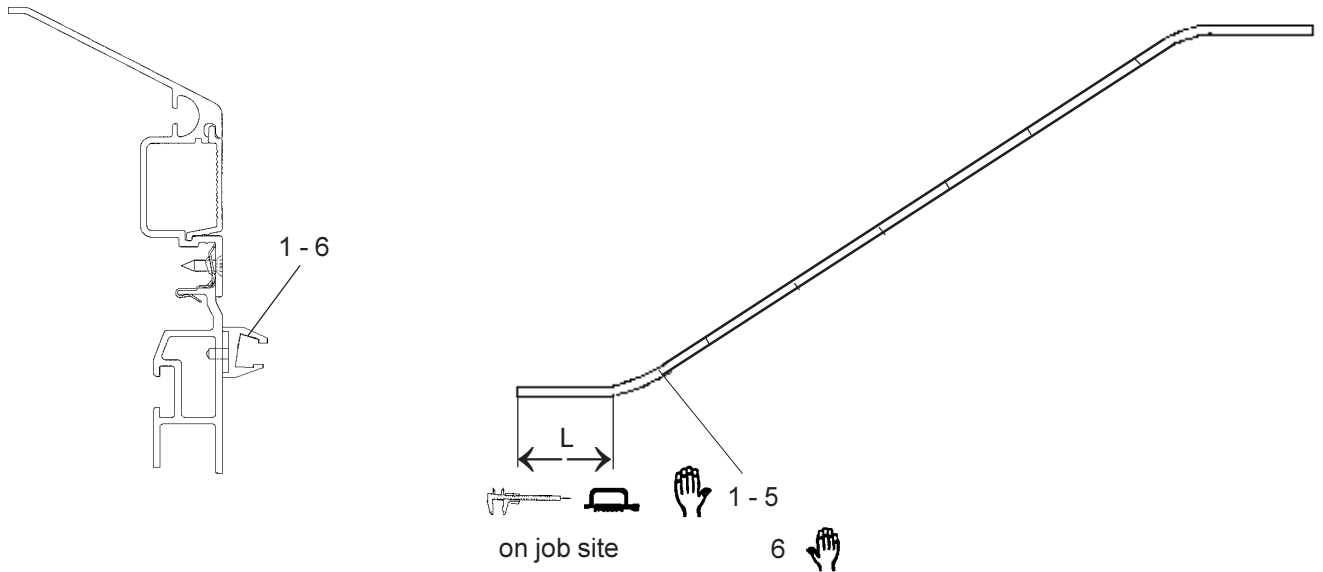
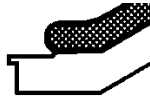


# OTIS

# Escalator Brush Deflector Device

**50-G..26220BW**  
**JULY 1,2002**      **PAGE: 2**

TYPE: 506 , 506SL  
 510L , 510S  
 NCE , NPE-S/SR



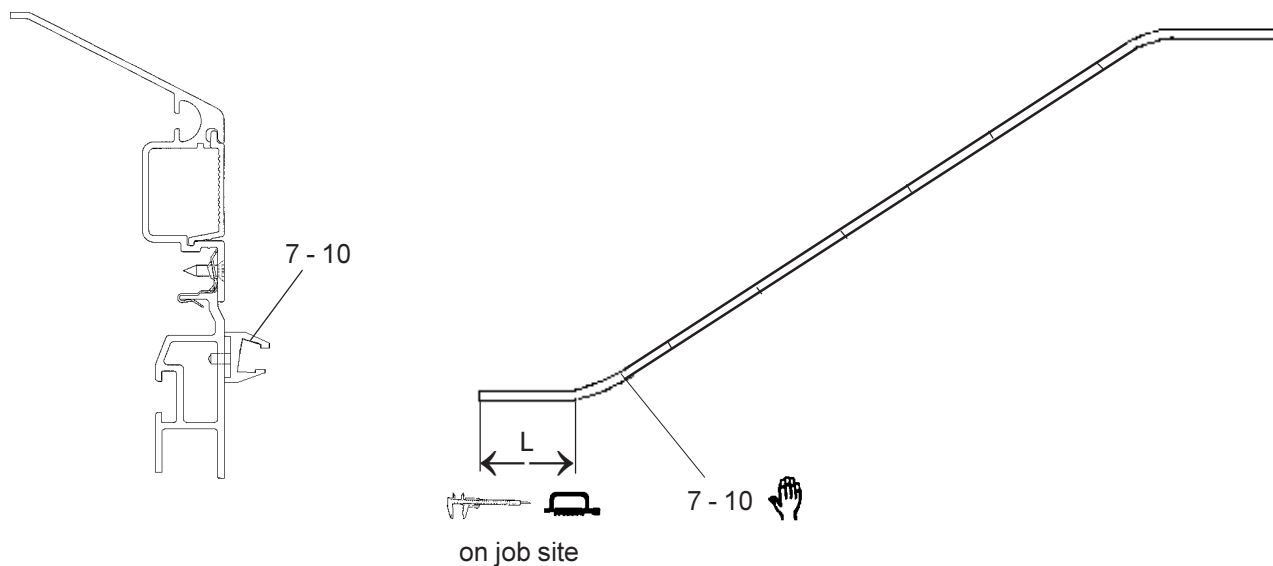
**GAA26220BW**

REF. NO.	PART OR M.L.	COLOUR	DESCRIPTION
1	GAA402CDY1 GAA402CDY25	silver black	Brush holder profile, Type: 506 , 505SL , 506SL-NAA , NCE CODE: EN115 30° , ANSI 30°
2	GAA402CDY2 GAA402CDY26	silver black	Brush holder profile, Type: 506 , 505SL , NCE    CODE: EN115 35°
3	GAA402CDY3 GAA402CDY27	silver black	Brush holder profile, Type: NPE-S/SR                    CODE: EN115 23,1°
4	GAA402CDY4 GAA402CDY28	silver black	Brush holder profile, Type: NPE-S/SR                    CODE: EN115 24,5°
5	GAA402CDY5 GAA402CDY29	silver black	Brush holder profile, Type: 510S , NPE-S/SR    CODE: EN115 27,3°
6	GAA402CDY51 GAA402CDY75	silver black	Brush holder profile, Type: 506 , 505SL , 506SL-NAA , NCE CODE: EN115 30° , ANSI 30°

# Escalator Brush Deflector Device

**50-G..26220BW**  
**JULY 1,2002**      **PAGE: 3**

TYPE: 506 , 506SL  
 510L , 510S  
 NCE , NPE-S/SR

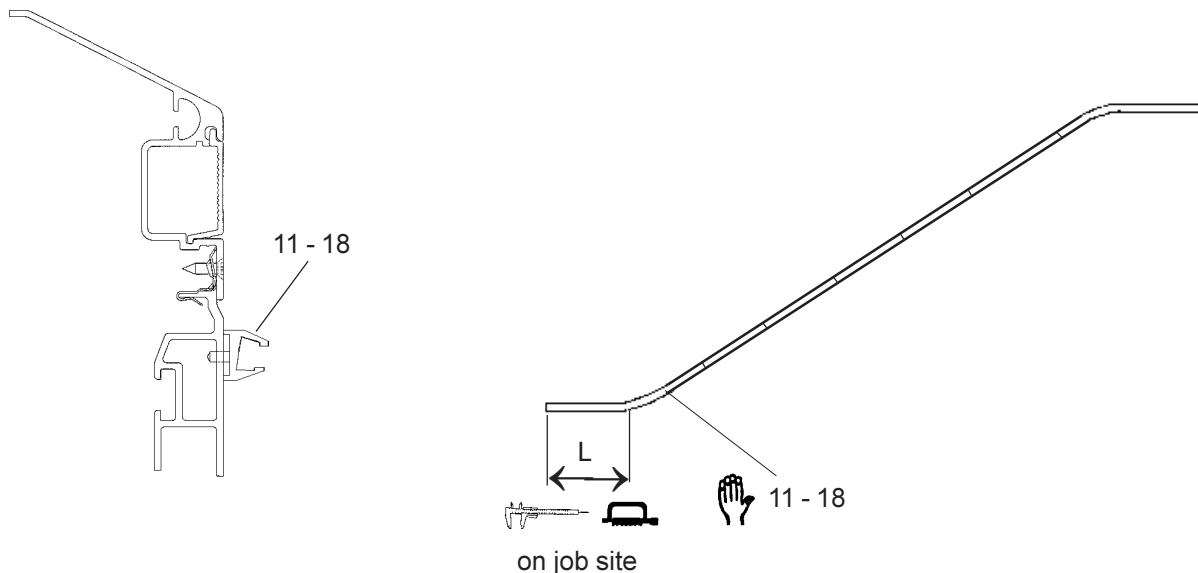


<b>GAA26220BW</b>			
<b>REF. NO.</b>	<b>PART OR M.L.</b>	<b>COLOUR</b>	<b>DESCRIPTION</b>
7	GAA402CDY52 GAA402CDY76	silver black	Brush holder profile, Type: 506 , 505SL , NCE      CODE: EN115 35°
8	GAA402CDY53 GAA402CDY77	silver black	Brush holder profile, Type: NPE-S/SR      CODE: EN115 23,1°
9	GAA402CDY54 GAA402CDY78	silver black	Brush holder profile, Type: NPE-S/SR      CODE: EN115 24,5°
10	GAA402CDY55 GAA402CDY79	silver black	Brush holder profile, Type: 510S , NPE-S/SR      CODE: EN115 27,3°

# Escalator Brush Deflector Device

**50-G..26220BW**  
**JULY 1,2002**      **PAGE: 4**

TYPE: UB , HDL-K , HD-A-B-C  
 UBSL , 510S , J , R  
 NPE-S/SR , NPE-L / XL



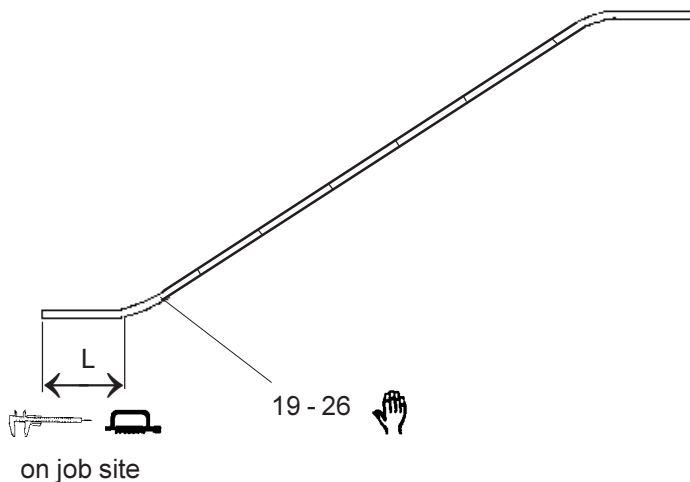
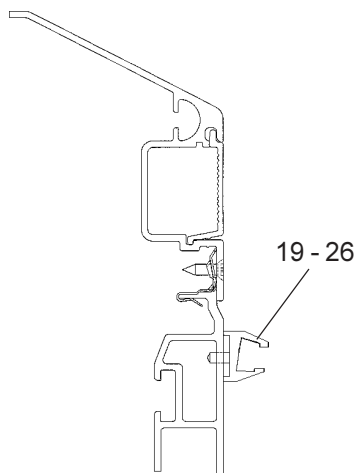
**GAA26220BW**

REF. NO.	PART OR M.L.	COLOUR	DESCRIPTION
11	GAA402CDY6 GAA402CDY30	silver black	Brush holder profile, Type: UB , HDL-K , UBSL , 510S , NPE-S/SR CODE: EN115 30° , ANSI 30°
12	GAA402CDY7 GAA402CDY31	silver black	Brush holder profile, Type: 510S , NPE-S/SR      CODE: EN115 35°
13	GAA402CDY8 GAA402CDY32	silver black	Brush holder profile, Type: J , R for ANSI 30°
14	GAA402CDY9 GAA402CDY33	silver black	Brush holder profile, Type: HD-A , HD-B , HD-C      CODE: EN115 27,3°
15	GAA402CDY10 GAA402CDY34	silver black	Brush holder profile, Type: HD-A , HD-B , HD-C      CODE: EN115 30°
16	GAA402CDY11 GAA402CDY35	silver black	Brush holder profile, Type: NPE-L      CODE: EN115 23,1°
17	GAA402CDY12 GAA402CDY36	silver black	Brush holder profile, Type: NPE-L , NPL-XL      CODE: EN115 24,5°
18	GAA402CDY13 GAA402CDY37	silver black	Brush holder profile, Type: NPE-L , NPE-XL      CODE: EN115 27,3°

# Escalator Brush Deflector Device

**50-G..26220BW**  
JULY 1,2002 PAGE:5

TYPE: UB , HDL-K , HD-A-B-C  
UBSL , 510S , J , R  
NPE-S/SR , NPE-L / XL



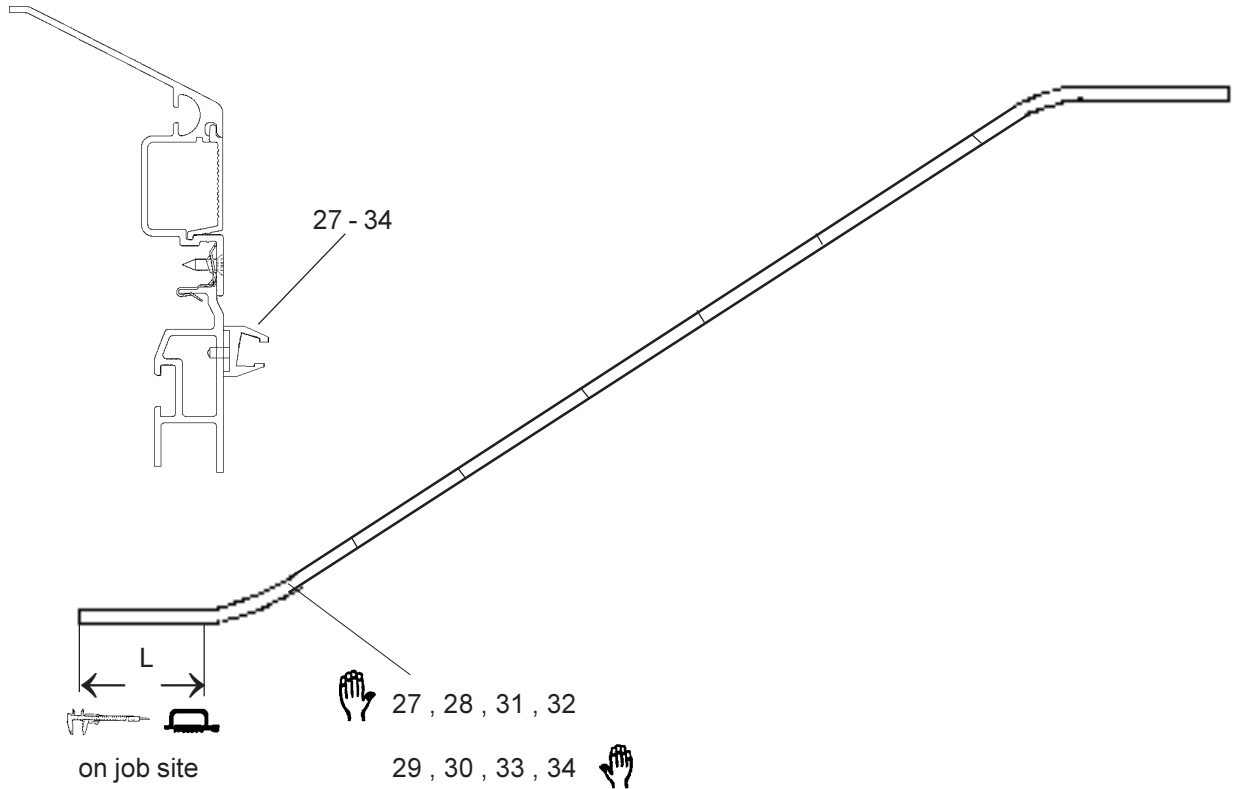
## GAA26220BW

REF. NO.	PART OR M.L.	COLOUR	DESCRIPTION
19	GAA402CDY56 GAA402CDY80	silver black	Brush holder profile, Type: UB , HDL-K , UBSL, 510S , NPE-S/SR CODE: EN115 30° , ANSI 30°
20	GAA402CDY57 GAA402CDY81	silver black	Brush holder profile, Type: 510S , NPE-S/SR CODE: EN115 35°
21	GAA402CDY58 GAA402CDY82	silver black	Brush holder profile, Type: J , R for ANSI 30°
22	GAA402CDY59 GAA402CDY83	silver black	Brush holder profile, Type: HD-A , HD-B , HD-C CODE: EN115 27,3°
23	GAA402CDY60 GAA402CDY84	silver black	Brush holder profile, Type: HD-A , HD-B , HD-C CODE: EN115 30°
24	GAA402CDY61 GAA402CDY85	silver black	Brush holder profile, Type: NPE-L CODE:EN115 23,1°
25	GAA402CDY62 GAA402CDY86	silver black	Brush holder profile, Type: NPE-L , NPE-XL CODE: EN115 24,5°
26	GAA402CDY63 GAA402CDY87	silver black	Brush holder profile, Type: NPE-L., NPE-XL CODE: EN115 27,3°

# Escalator Brush Deflector Device

**50-G..26220BW**  
JULY 1,2002 PAGE:6

TYPE: 510 L , MPE , SIGMA  
NPE-L / XL



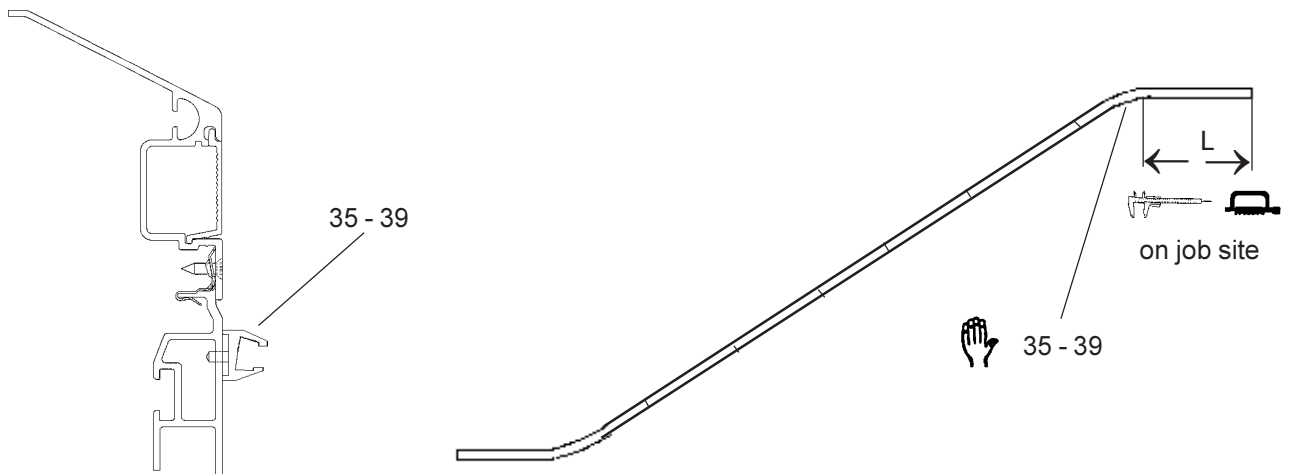
**GAA26220BW**

REF. NO.	PART OR M.L.	COLOUR	DESCRIPTION
27	GAA402CDY14 GAA402CDY38	silver black	Brush holder profile, Type: NPE-L 510L , MPE , NPE-XL CODE: EN115 30° , ANSI 30° CODE: EN115 30°
28	GAA402CDY15 GAA402CDY39	silver black	Brush holder profile, Type: NPE-L CODE: EN115 35°
29	GAA402CDY64 GAA402CDY88	silver black	Brush holder profile, Type: NPE-L 510L , MPE , NPE-XL CODE: EN115 30° , ANSI 30° CODE: EN115 30°
30	GAA402CDY65 GAA402CDY89	silver black	Brush holder profile, Type: NPE-L CODE: EN115 35°
31	GAA402CDY16 GAA402CDY40	silver black	Brush holder profile, Type: SIGMA CODE: EN115 30°
32	GAA402CDY17 GAA402CDY41	silver black	Brush holder profile, Type: SIGMA CODE: EN115 35°
33	GAA402CDY66 GAA402CDY90	silver black	Brush holder profile, Type: SIGMA CODE: EN115 30°
34	GAA402CDY67 GAA402CDY91	silver black	Brush holder profile, Type: SIGMA CODE: EN115 35°

# Escalator Brush Deflector Device

**50-G..26220BW**  
**JULY 1,2002**      **PAGE: 7**

TYPE: 506 , 506SL  
 510L , 510S  
 NCE , NPE-S/SR



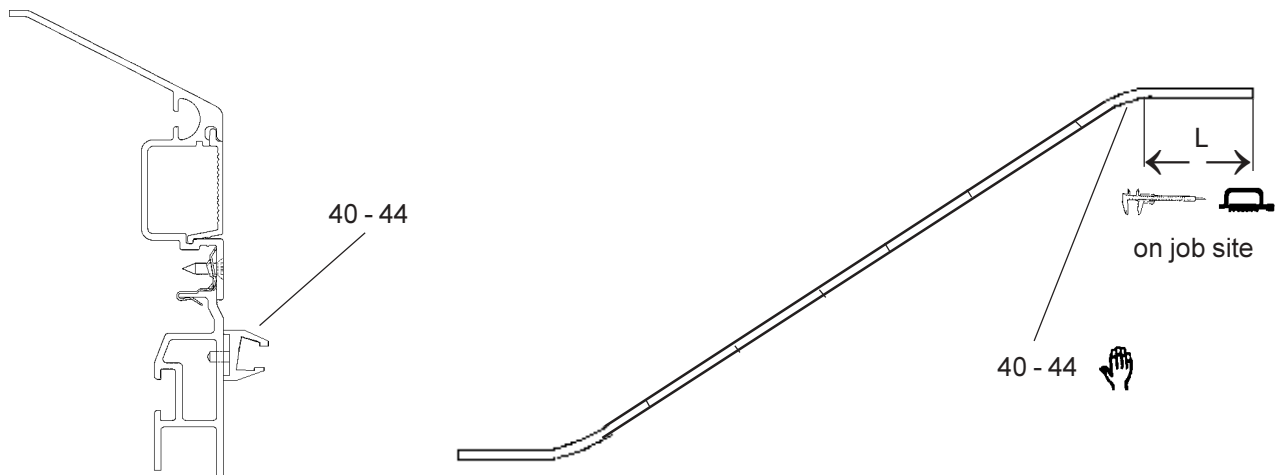
**GAA26220BW**

REF. NO.	PART OR M.L.	COLOUR	DESCRIPTION
35	GAA402CDZ1 GAA402CDZ25	silver black	Brush holder profile, Type: 506 , 506SL , 506SL-NAA , NCE CODE: EN115 30° , ANSI 30°
36	GAA402CDZ2 GAA402CDZ26	silver black	Brush holder profile, Type: 506 , 506SL , NCE CODE: EN115 35°
37	GAA402CDZ3 GAA402CDZ27	silver black	Brush holder profile, Type: NPE-S/SR CODE: EN115 23,1°
38	GAA402CDZ4 GAA402CDZ28	silver black	Brush holder profile, Type: NPE-S/SR CODE: EN115 24,5°
39	GAA402CDZ5 GAA402CDZ29	silver black	Brush holder profile, Type: 510S , NPE-S/SR CODE: EN115 27,3°

# Escalator Brush Deflector Device

**50-G..26220BW**  
**JULY 1,2002**      **PAGE: 8**

TYPE: 506 , 506SL  
 510L , 510S  
 NCE , NPE-S/SR



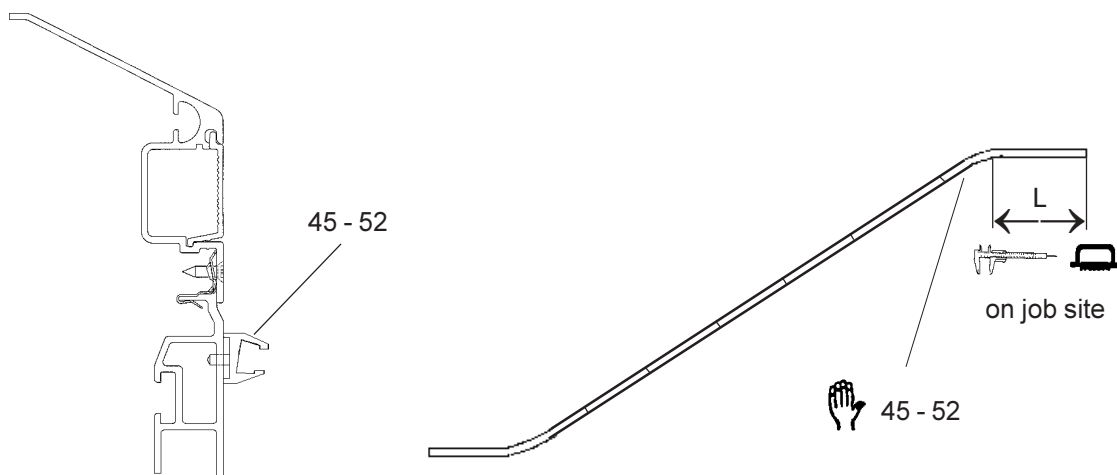
<b>GAA26220BW</b>			
<b>REF. NO.</b>	<b>PART OR M.L.</b>	<b>COLOUR</b>	<b>DESCRIPTION</b>
40	GAA402CDZ51 GAA402CDZ75	silver black	Brush holder profile, Type: 506 , 506SL , 506SL-NAA , NCE CODE: EN115 30° , ANSI 30°
41	GAA402CDZ52 GAA402CDZ76	silver black	Brush holder profile, Type: 506 , 506SL , NCE CODE: EN115 35°
42	GAA402CDZ53 GAA402CDZ77	silver black	Brush holder profile, Type: NPE-S/SR CODE: EN115 23,1°
43	GAA402CDZ54 GAA402CDZ78	silver black	Brush holder profile, Type: NPE-S/SR CODE: EN115 24,5°
44	GAA402CDZ55 GAA402CDZ79	silver black	Brush holder profile, Type: 510S , NPE-S/SR CODE: EN115 27,3°



# Escalator Brush Deflector Device

**50-G..26220BW**  
**JULY 1,2002**      **PAGE: 9**

TYPE: UB , HDL-K, J , R  
 UBSL , 510S/L  
 NPE-S/SR , NPE-L



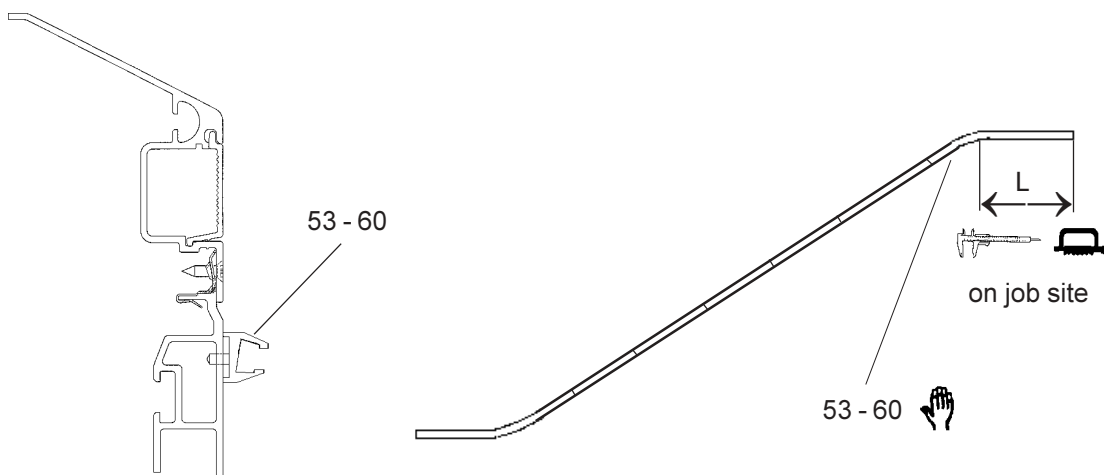
**GAA26220BW**

REF. NO.	PART OR M.L.	COLOUR	DESCRIPTION
45	GAA402CDZ6 GAA402CDZ30	silver black	Brush holder profile, Type: UB , HDL-K , UBSL, 510S , NPE-S/SR CODE: EN115 30° , ANSI 30°
46	GAA402CDZ7 GAA402CDZ31	silver black	Brush holder profile, Type: 510S , NPE-S/SR CODE: EN115 30°
47	GAA402CDZ8 GAA402CDZ32	silver black	Brush holder profile, Type: J , R for ANSI 30°
48	GAA402CDZ9 GAA402CDZ33	silver black	Brush holder profile, Type: NPE-L    CODE:EN115 23,1°
49	GAA402CDZ10 GAA402CDZ34	silver black	Brush holder profile, Type: NPE-L    CODE: EN115 24,5°
50	GAA402CDZ11 GAA402CDZ35	silver black	Brush holder profile, Type: NPE-L    CODE: EN115 27,3°
51	GAA402CDZ12 GAA402CDZ36	silver black	Brush holder profile, Type: 510-L , NPE-L CODE: EN115 30° , ANSI 30°
52	GAA402CDZ13 GAA402CDZ37	silver black	Brush holder profile, Type: NPE-L CODE: EN115 35°

# Escalator Brush Deflector Device

**50-G..26220BW**  
**JULY 1,2002**      **PAGE: 10**

TYPE: UB , HDL-K, J , R  
 UBSL , 510S/L  
 NPE-S/SR , NPE-L



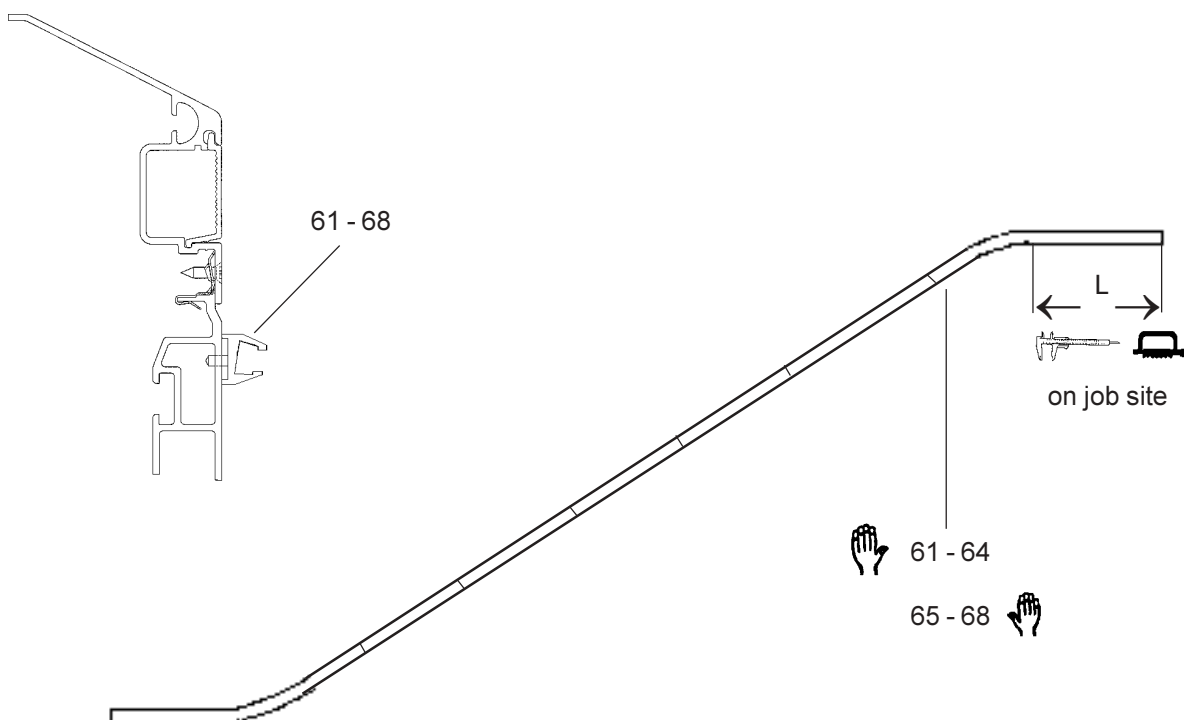
**GAA26220BW**

REF. NO.	PART OR M.L.	COLOUR	DESCRIPTION
53	GAA402CDZ56 GAA402CDZ80	silver black	Brush holder profile, Type: UB , HDL-K , UBSL , 510S , NPE-S/SR CODE: EN115 30° , ANSI 30°
54	GAA402CDZ57 GAA402CDZ81	silver black	Brush holder profile, Type: 510S , NPE-S/SR      CODE: EN115 35°
55	GAA402CDZ58 GAA402CDZ82	silver black	Brush holder profile, Type: J , R for ANSI 30°
56	GAA402CDZ59 GAA402CDZ83	silver black	Brush holder profile, Type: NPE-L      CODE: EN115 23,1°
57	GAA402CDZ60 GAA402CDZ84	silver black	Brush holder profile, Type: NPE-L      CODE: EN115 24,5°
58	GAA402CDZ61 GAA402CDZ85	silver black	Brush holder profile, Type: NPE-L      CODE: EN115 27,3°
59	GAA402CDZ62 GAA402CDZ86	silver black	Brush holder profile, Type: 510L , NPE-L CODE: EN115 30° , ANSI 30°
60	GAA402CDZ63 GAA402CDZ87	silver black	Brush holder profile, Type: NPE-L      CODE: EN115 35°

# Escalator Brush Deflector Device

**50-G..26220BW**  
**JULY 1,2002**      **PAGE:11**

TYPE: NPE-XL , MPE



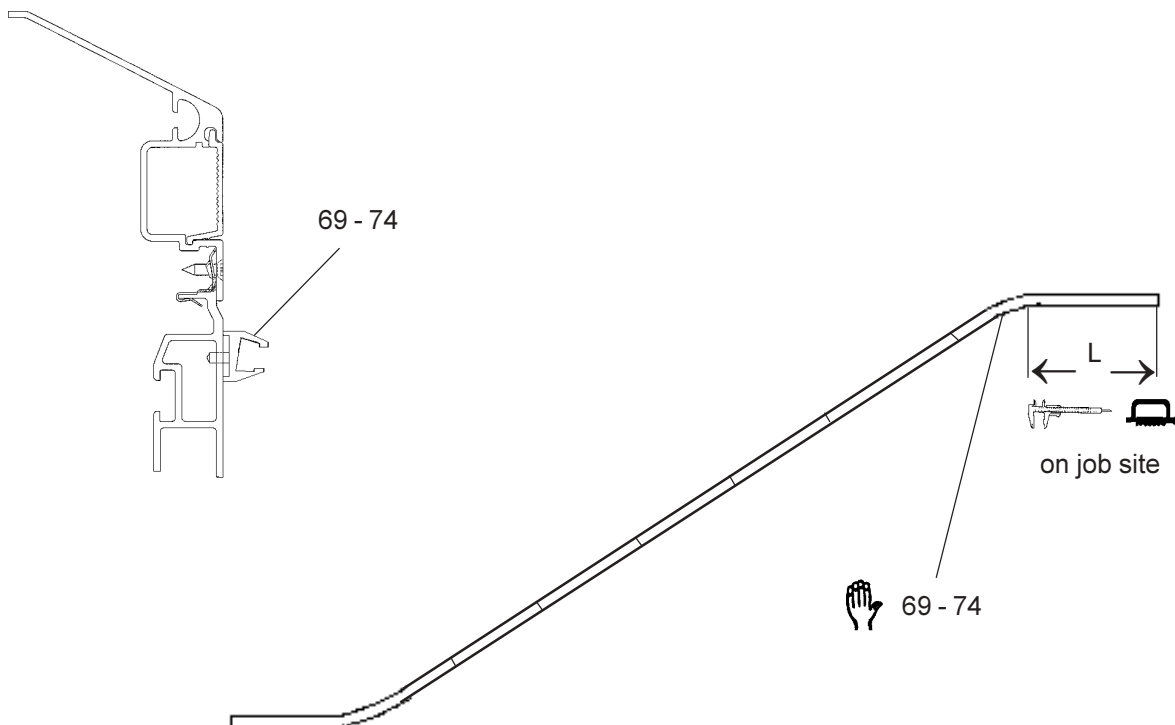
**GAA26220BW**

REF. NO.	PART OR M.L.	COLOUR	DESCRIPTION
61	GAA402CDZ14 GAA402CDZ38	silver black	Brush holder profile, Type: MPE      CODE: EN115 30°
62	GAA402CDZ17 GAA402CDZ41	silver black	Brush holder profile, Type: NPE-XL      CODE: EN115 24,5°
63	GAA402CDZ18 GAA402CDZ42	silver black	Brush holder profile, Type: NPE-XL      CODE: EN115 27,3°
64	GAA402CDZ19 GAA402CDZ43	silver black	Brush holder profile, Type: NPE-XL      CODE: EN115 30°
65	GAA402CDZ64 GAA402CDZ88	silver black	Brush holder profile, Type: MPE      CODE: EN115 30°
66	GAA402CDZ67 GAA402CDZ91	silver black	Brush holder profile, Type: NPE-XL      CODE: EN115 24,5°
67	GAA402CDZ68 GAA402CDZ92	silver black	Brush holder profile, Type: NPE-XL      CODE: EN115 27,3°
68	GAA402CDZ69 GAA402CDZ93	silver black	Brush holder profile, Type: NPE-XL      CODE: EN115 30°

# Escalator Brush Deflector Device

**50-G..26220BW**  
**JULY 1,2002**      **PAGE:12**

TYPE: HD-A , HD-B, HD-C  
 SIGMA

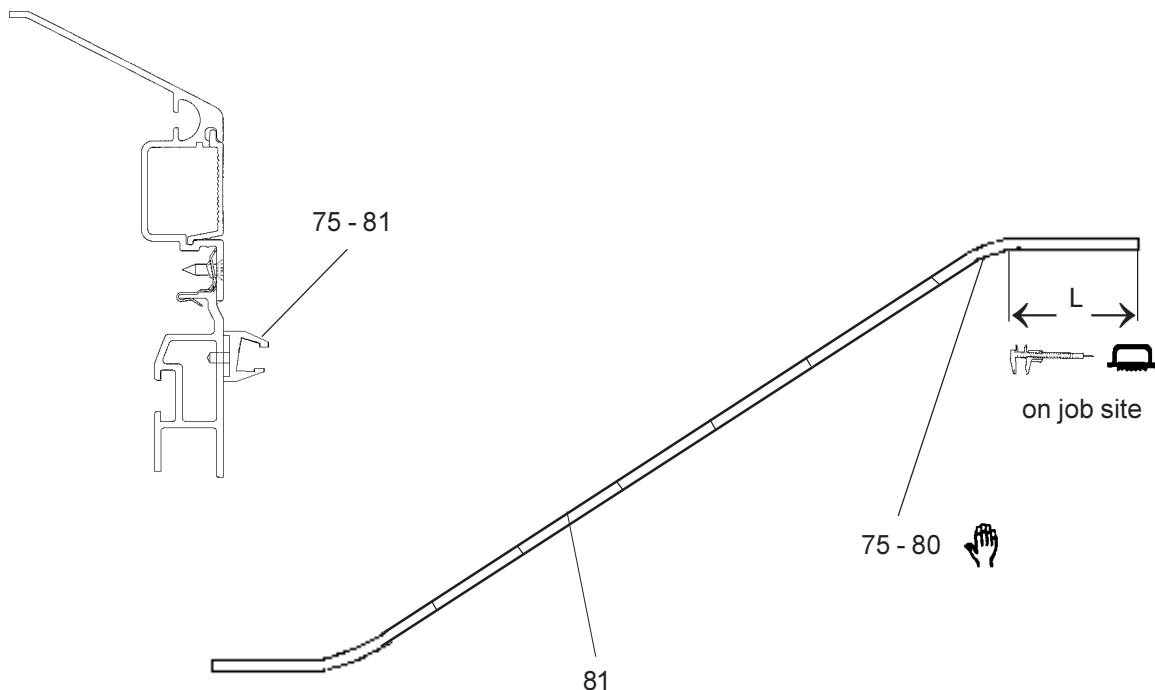


<b>GAA26220BW</b>			
<b>REF. NO.</b>	<b>PART OR M.L.</b>	<b>COLOUR</b>	<b>DESCRIPTION</b>
69	GAA402CDZ15 GAA402CDZ39	silver black	Brush holder profile, Type: HD-A      CODE: EN115 27,3°
70	GAA402CDZ16 GAA402CDZ40	silver black	Brush holder profile, Type: HD-A      CODE: EN115 30°
71	GAA402CDZ20 GAA402CDZ44	silver black	Brush holder profile, Type: HD-B , HD-C      CODE: EN115 27,3°
72	GAA402CDZ21 GAA402CDZ45	silver black	Brush holder profile, Type: HD-B , HD-C      CODE: EN115 30°
73	GAA402CDZ22 GAA402CDZ46	silver black	Brush holder profile, Type: SIGMA      CODE: EN115 30°
74	GAA402CDZ23 GAA402CDZ47	silver black	Brush holder profile, Type: SIGMA      CODE: EN115 35°

# Escalator Brush Deflector Device

**50-G..26220BW**  
**JULY 1,2002**      **PAGE: 13**

TYPE: HD-A , HD-B, HD-C  
 SIGMA

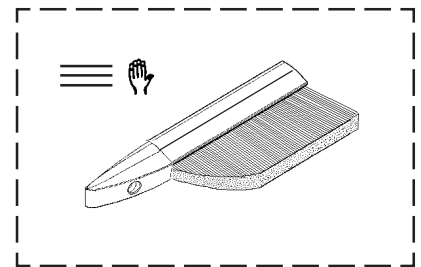
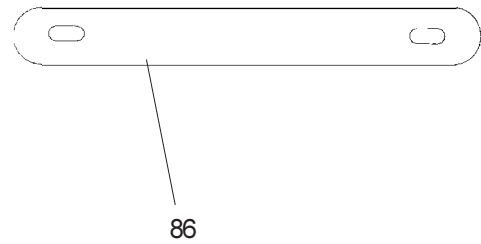
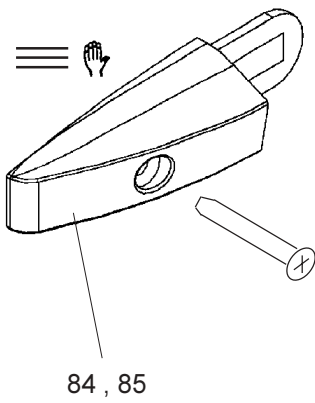
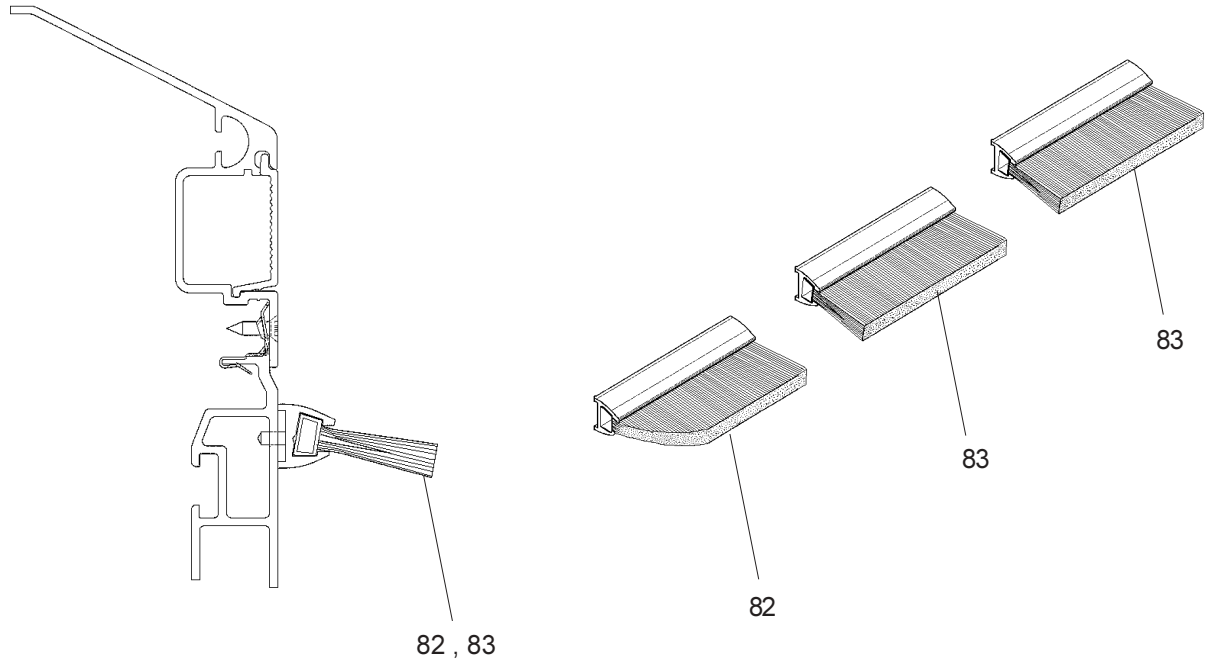


**GAA26220BW**

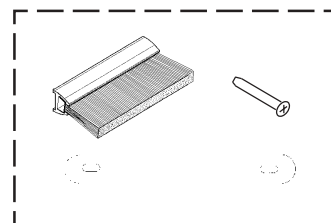
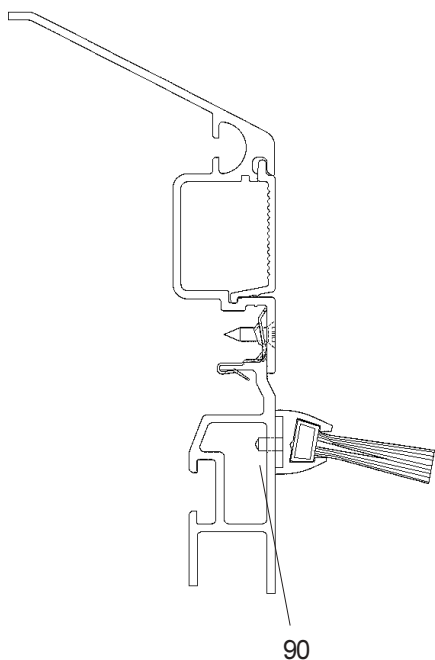
REF. NO.	PART OR M.L.	COLOUR	DESCRIPTION
75	GAA402CDZ65 GAA402CDZ89	silver black	Brush holder profile, Type: HD-A      CODE: EN115 27,3°
76	GAA402CDZ66 GAA402CDZ90	silver black	Brush holder profile, Type: HD-A      CODE: EN115 30°
77	GAA402CDZ70 GAA402CDZ94	silver black	Brush holder profile, Type: HD-B , HD-C      CODE: EN115 27,3°
78	GAA402CDZ71 GAA402CDZ95	silver black	Brush holder profile, Type: HD-B , HD-C      CODE: EN115 30°
79	GAA402CDZ72 GAA402CDZ96	silver black	Brush holder profile, Type: SIGMA      CODE: EN115 30°
80	GAA402CDZ73 GAA402CDZ97	silver black	Brush holder profile, Type: SIGMA      CODE: EN115 35°
81	GAA402CES1 GAA402CES2	silver black	Brush holder profile, straight part

# Escalator Brush Deflector Device

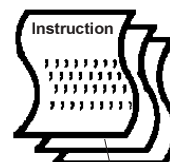
**50-G..26220BW**  
JULY 1,2002 PAGE:14



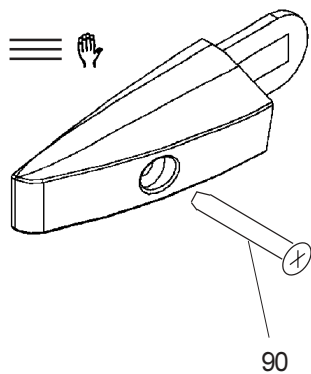
<b>GAA26220BW</b>		
<b>REF. NO.</b>	<b>PART OR M.L.</b>	<b>DESCRIPTION</b>
82	GAA241G1	brush , landings
83	GAA241G2	brush , inclined section
84	GAA273WJ1	end caps
85	GAA273WJ2	end caps
86	GAA450AZ1	connecting link



87 , 88



89



<b>GAA26220BW</b>		
<b>REF. NO.</b>	<b>PART OR M.L.</b>	<b>DESCRIPTION</b>
87	GAA27077K1	Set: straight section 3m , colour:silver
88	GAA27077K2	Set: straight section 3m , colour:black
89	GAA26220BW100	Mounting tool & mounting instruction
90	----	Screw , DIN 7500 - ME - M4x16 - ST - Z - (200600)