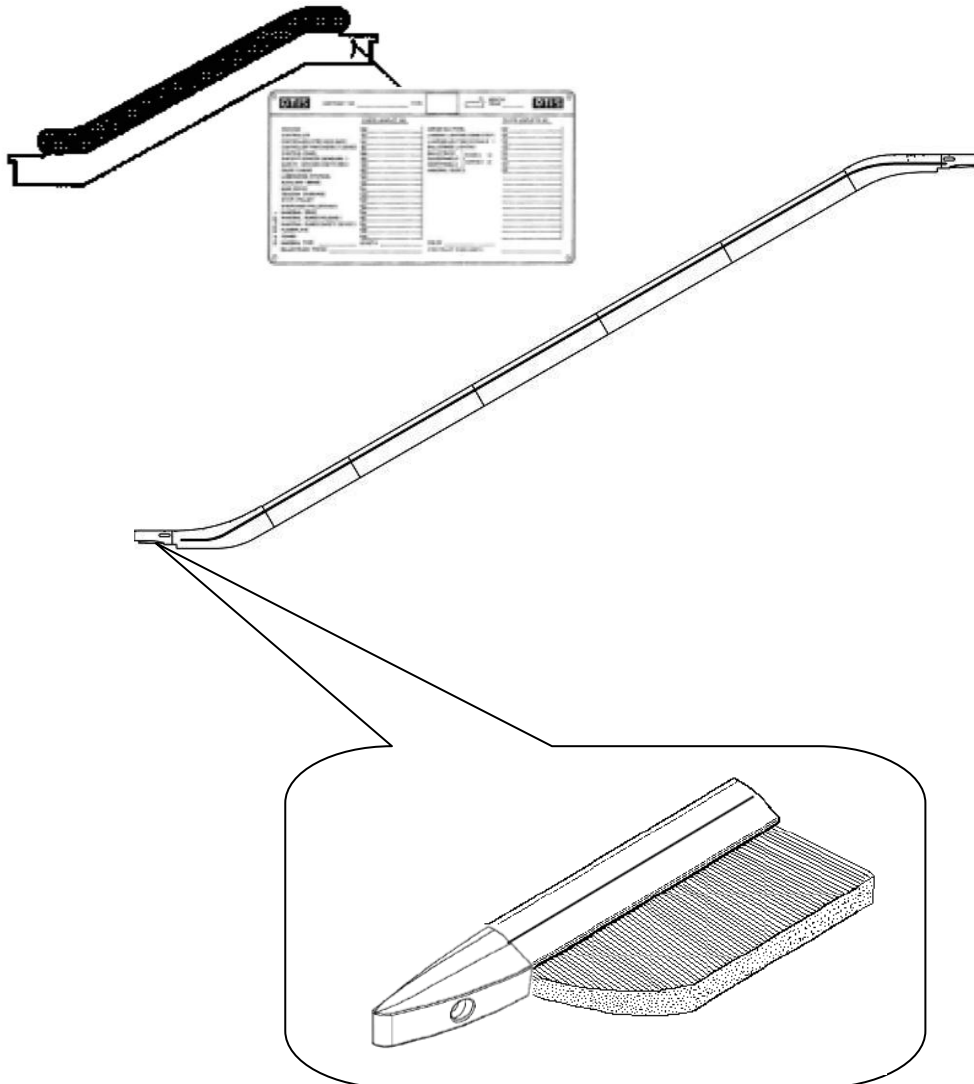


**508NCE / 512NCE / 515NPE-S
/ 515NPE-L ESCALATOR
Skirt Panel Brush**

Spare Parts Leaflet

50-GAA26220DD

May 18, 2009 / Page 1 of 5



Notes:

The 'left side' and 'right side' is defined when passenger stands at the lower landing, facing the escalator

Unpublished Work—© Otis Elevator Co.

OTIS

Safety First!

ESCALATOR ENGINEERING
Otis Elevator Company
SIT GUANGZHOU

Leaflet Description**Skirt Panel Brush device**

- 508 NCE
- 512 NCE
- 515 NPE-S
- 515 NPE-L

Leaflet Revisions

Date Revised	Subject Matter Expert	Reason for Revision
2009-5-18	Ye, Ke	Original document

Related Drawings

Drawing No.	Title	Drawing No.	Title
GAA26220DD	Skirt Panel Brush		

Related Documents

Document ID	Title
ODS DAA27076DZ	Skirt Panel Brush

Subject Matter Expert

Name	Department
Ye, Ke	SIT-GUANGZHOU

About Spare Parts Leaflets

This document lists the lowest replaceable units (LRUs) for the standard version of the product. The LRUs are chosen by a team of Otis associates representing engineering and manufacturing.

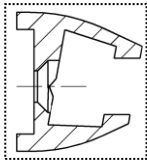
While goal of this document is to make parts identification as easy as possible, the document cannot be all-inclusive. Elevator and escalator contracts classified as “special” or “custom” are not addressed here. For such contracts, please refer to specified information, the contract folder, TIPs, Field Education Articles, Construction Letters, etc. for further information.

If you have any suggestions about this document, please contact the subject matter expert listed on this page.

508NCE / 512NCE / 515NPE-S
/ 515NPE-L ESCALATOR
Skirt Panel Brush

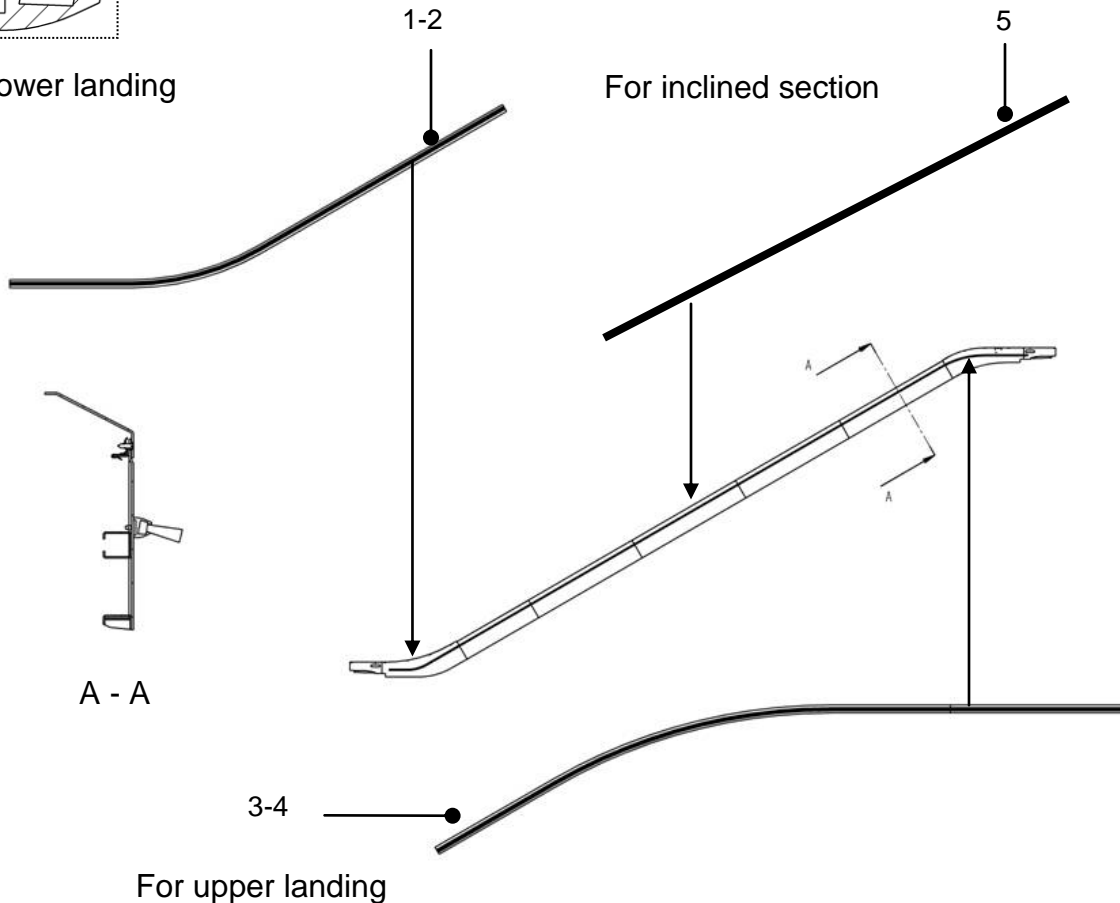
56- GAA26220DD

Brush Holder Profile



For lower landing

For inclined section



A - A

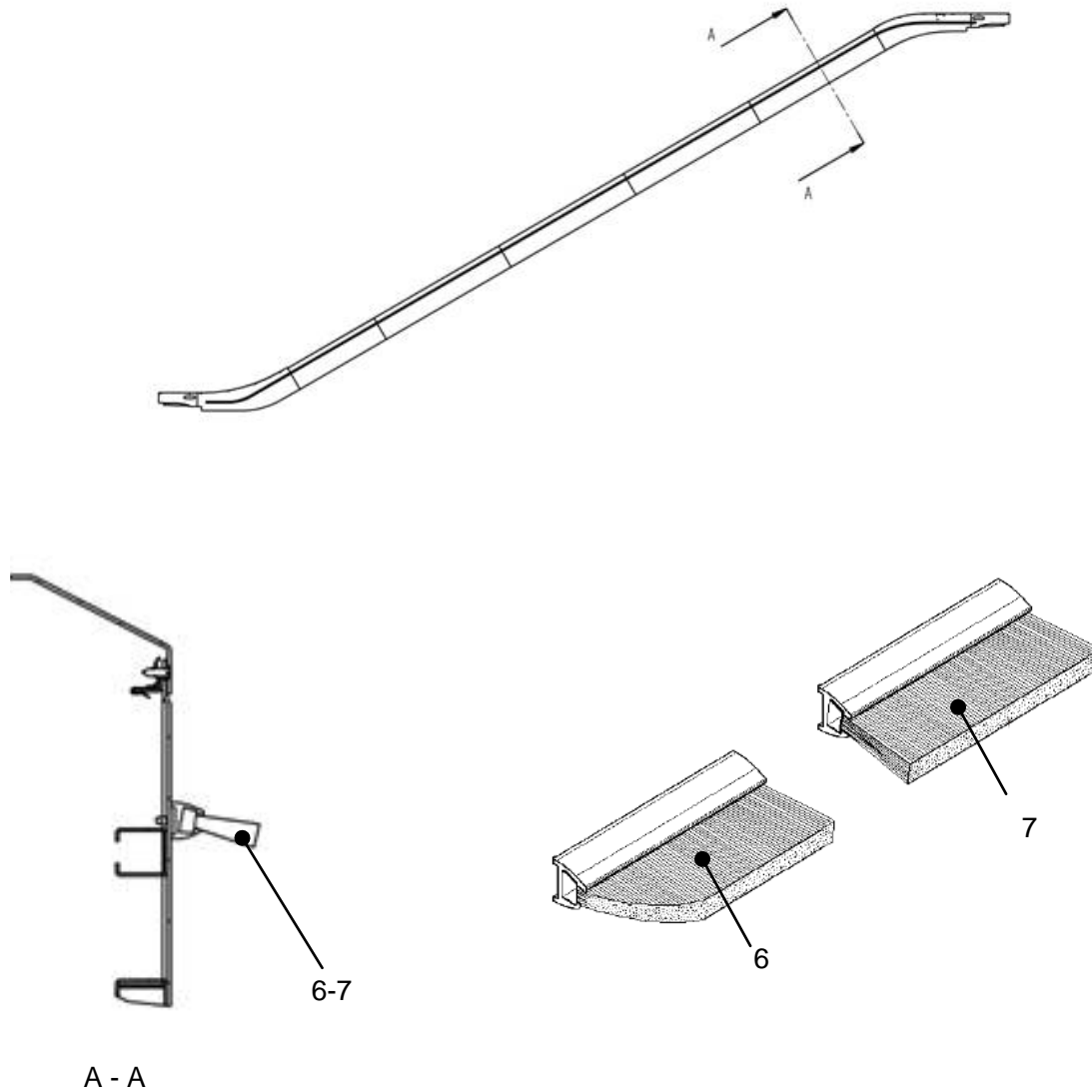
For upper landing

GAA26220DD		UPPER LANDING = UL, LOWER LANDING = LL
REF. No.	PART No.	DESCRIPTION
1	GAA402CMH105	Brush Holder Profile, LL, Left side
2	GAA402CMH106	Brush Holder Profile, LL, Right side
3	GAA402CMJ105	Brush Holder Profile, UL, Left side
4	GAA402CMJ106	Brush Holder Profile, UL, Right side
5	GAA402CES2	Brush Holder Profile, Inclined section

56- GAA26220DD

508NCE / 512NCE / 515NPE-S / 515NPE-L ESCALATOR Skirt Panel Brush

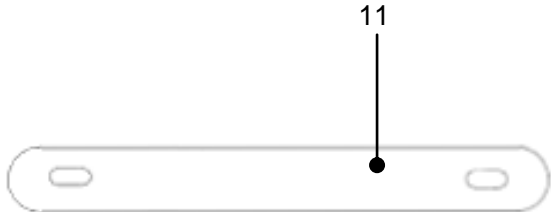
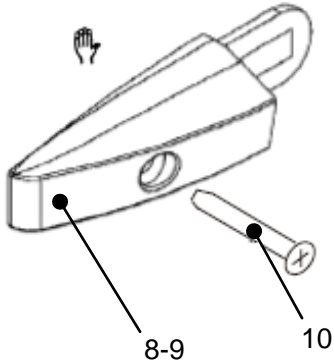
Brush



REF. No.	PART No.	DESCRIPTION
6	GAA241G1	Brush, Landings
7	GAA241G2	Brush, Inclined Section

508NCE / 512NCE / 515NPE-S
 / 515NPE-L ESCALATOR
 Skirt Panel Brush

56- GAA26220DD



GAA26220DD		
REF. No.	PART No.	DESCRIPTION
8	GAA273WJ1	End caps
9	GAA273WJ2	End caps,
10	---	Screw, DIN7500-ME-M4X16-ST-Zn
11	GAA450AZ1	Connecting link