

SPL 50-GO6814TJ - Tension Device - Chain Driving To Countershaft

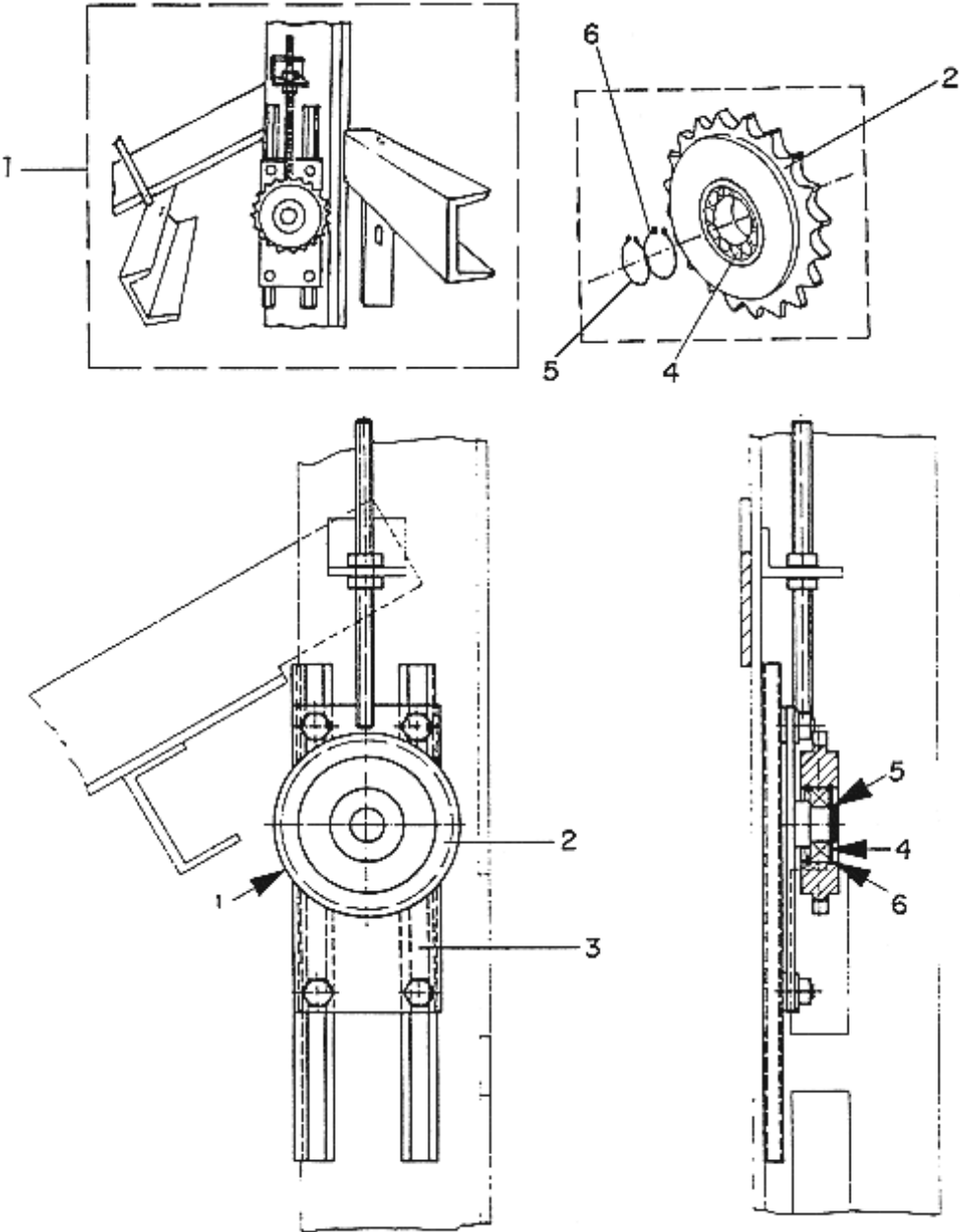
Unpublished Work - © Otis Elevator Company. Any unauthorized reproduction, disclosure, or distribution of copies or content by any person of any portion of this work may be a violation of Copyright Law of the United States of America. All rights reserved.

July 1990

Page 1

SPL 50-GO6814TJ - Tension Device - Chain Driving To Countershaft

Page 2



SPL 50-GO6814TJ - Tension Device - Chain Driving To Countershaft

Page 3

REF. NUM.	DESCRIPTION	PART OR ML
1	TENSION DEVICE - COMPLETE	GO6814TJ
2	PULLEY	GOA195BF1
3	PLATE	GO385AKW1
4	BEARING BAIL	207Z17
5	SNAP RING 25 x 1.2 DIN471	01RF030300
6	SNAP RING 50 x 2 DIN472	01RF031050