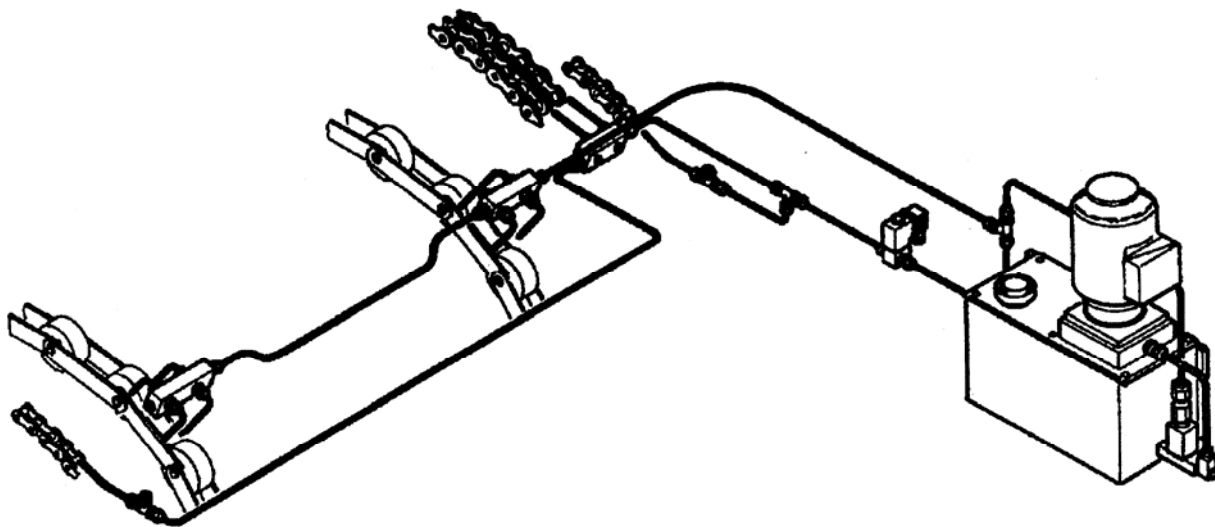
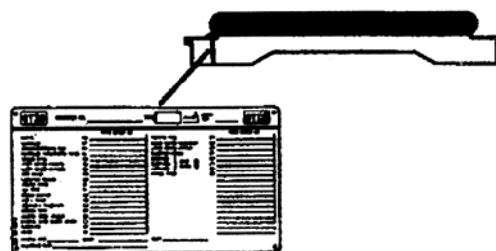


Escalator; Trav-O-Lator Lubrication Systems

Spare Parts Leaflet

50-GO9703BR

July 2000 / Page 1 of 10



Unpublished Work—© Otis Elevator Co.; 2000

OTIS

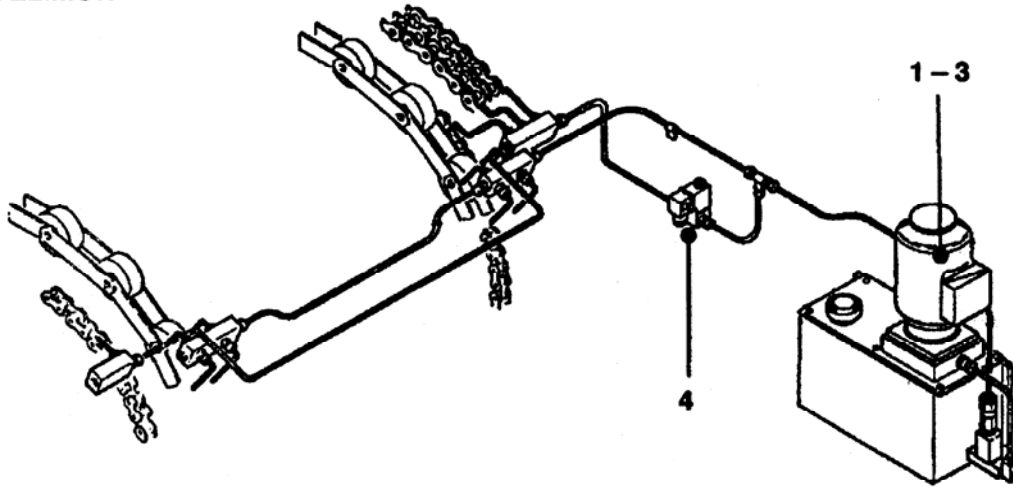
Safety First!

Otis Elevator Company

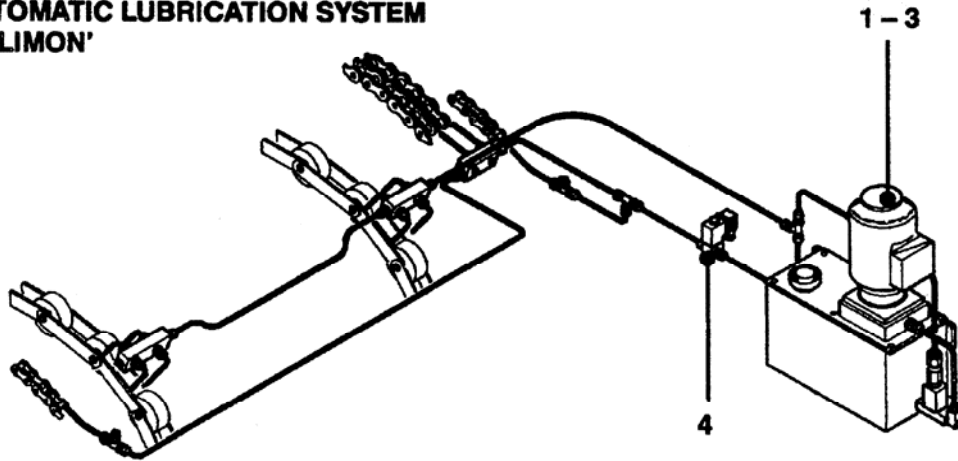
50-GO9703BR

Escalator, Trav-O-Lator Lubrication Systems

**Escalator
506
AUTOMATIC LUBRICATION SYSTEM
'DELIMON'**



**Escalator
510 S/M/L
AUTOMATIC LUBRICATION SYSTEM
'DELIMON'**



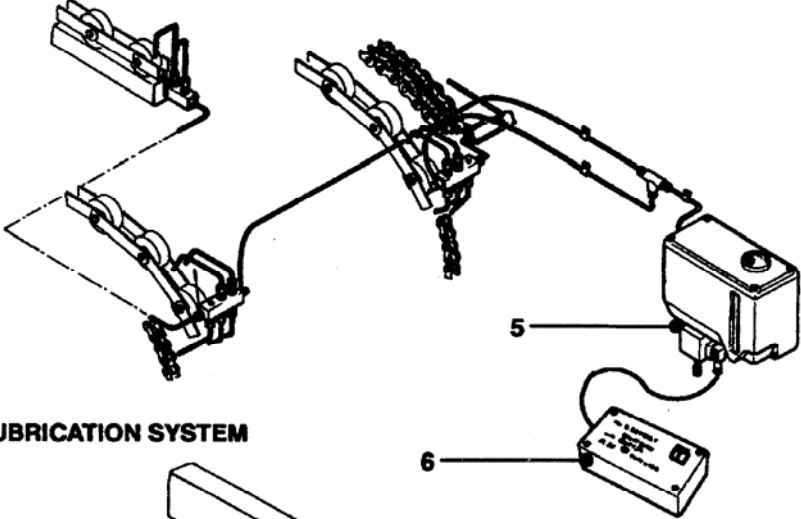
VINTAGE G.01

REF. No.	PART No.	DESCRIPTION
1	GO2215AR1	Pump Aggregate w/o Floating Switch 220/380 Volt
2	GO2215AR2	Pump Aggregate w/o Floating Switch 415 Volt
3	GO2215AR3	Pump Aggregate w/ Floating Switch 415 Volt
4	GO2215AR6	3/2 Way Valve Magnetic Controlled

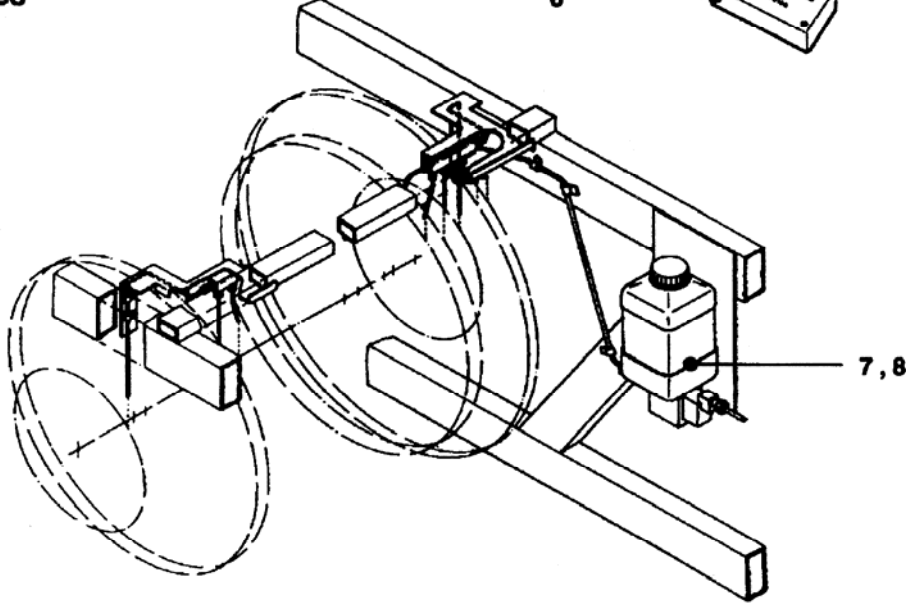
Escalator, Trav-O-Lator Lubrication Systems

50-GO9703BR

**Travolator
606
AUTOMATIC LUBRICATION SYSTEM
'TECALEMIT'**



**Escalator
510 S/M/L
AUTOMATIC LUBRICATION SYSTEM
'REBS'**



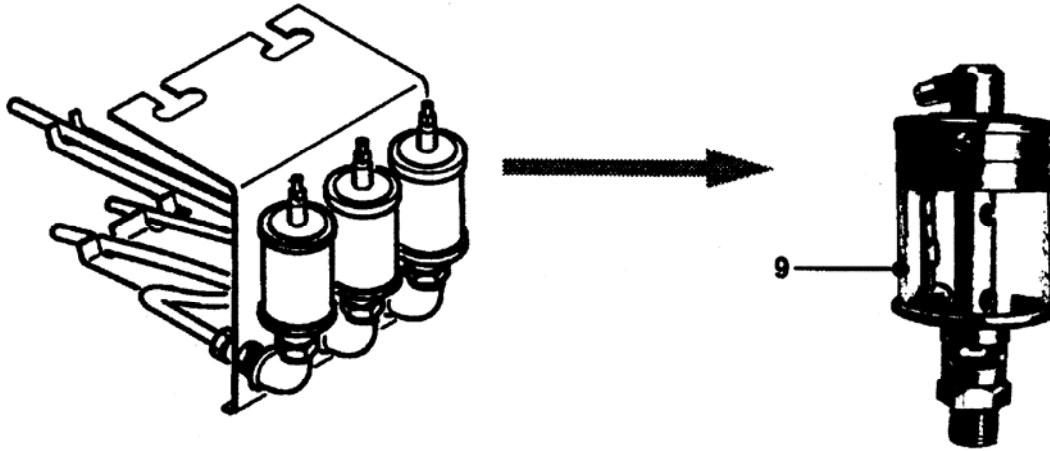
VINTAGE G.01

REF. No.	PART No.	DESCRIPTION
5	GO2215AR4 ---	Pump Aggregate ADK – (192880), 5 m PVC Pipe (48421)
6	GO2215AR5 ---	Control Equipment – (52985) (2.851120.1)
7	GO711A1	Pump Aggregate w/o Float Switch 230 V / 50 Hz AC
8	GO711A2	Pump Aggregate w/ Float Switch 230 V / 50 Hz AC

50-GO9703BR

Escalator, Trav-O-Lator Lubrication Systems

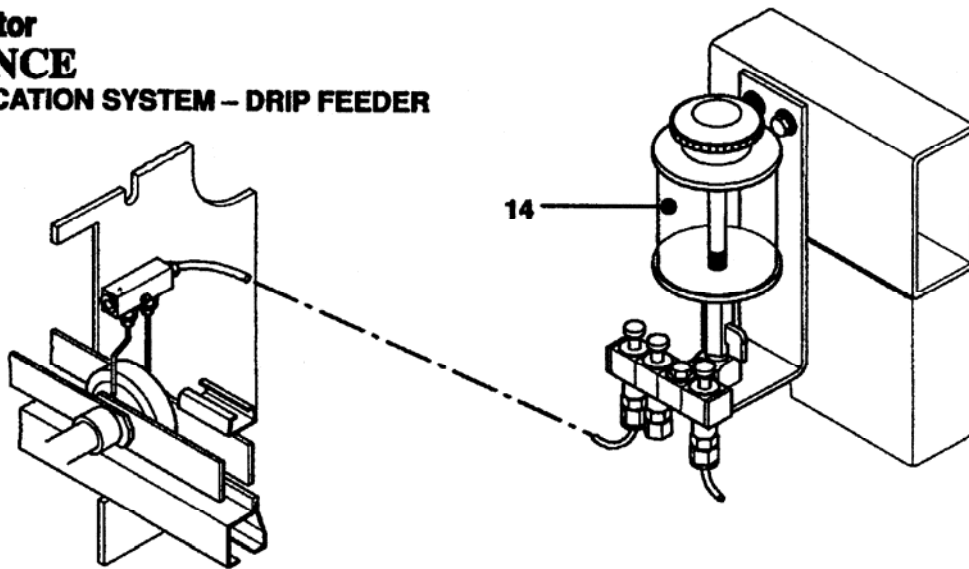
**Escalator
506 – 506 SL
LUBRICATION SYSTEM – DRIP FEEDER**



VINTAGE G.01

REF. No.	PART No.	DESCRIPTION
9	9701FW1	Drip Feed Lubricator

**Escalator
506 NCE
LUBRICATION SYSTEM – DRIP FEEDER**



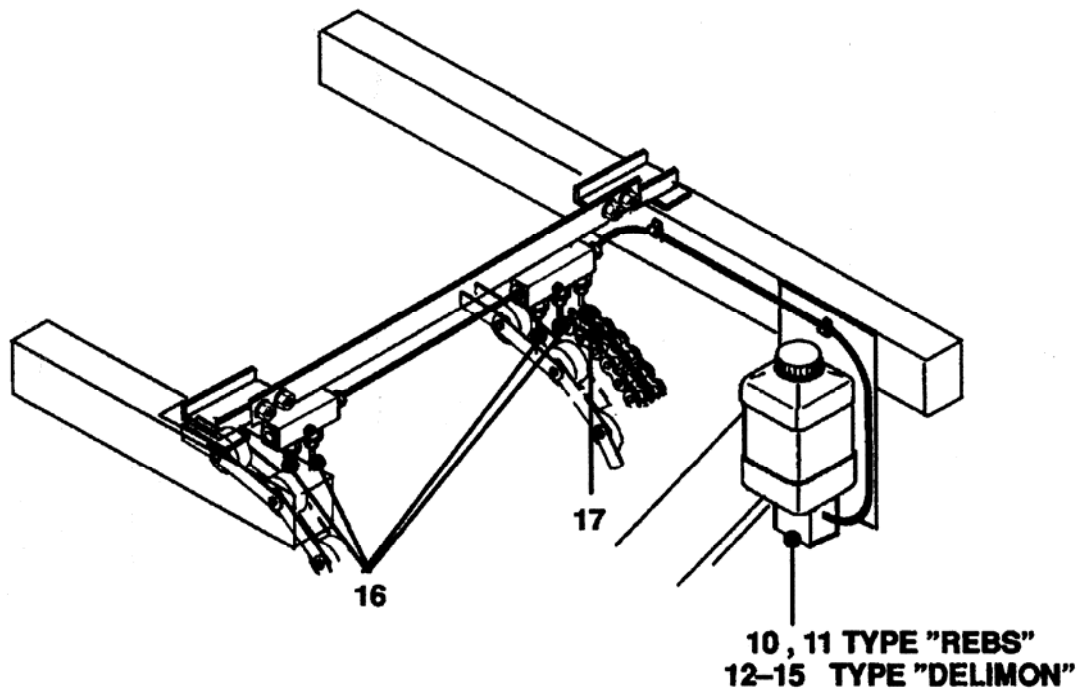
VINTAGE G.01

REF. No.	PART No.	DESCRIPTION
14	GAA26190G14 GAA508A1	Drip Feed Lubricator

Escalator, Trav-O-Lator Lubrication Systems

50-GO9703BR

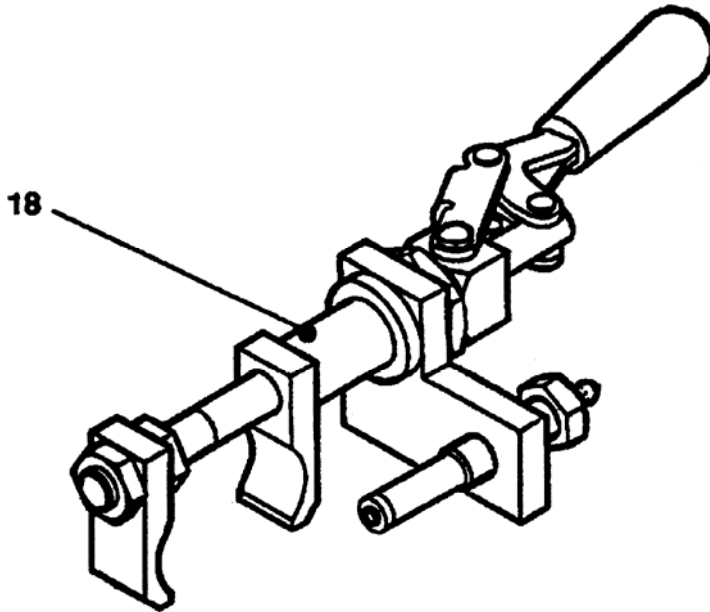
Escalator 506 NCE AUTOMATIC LUBRICATION SYSTEM Time controlled



REF. No.	PART No.	DESCRIPTION
	GAA26190H	
10	GO711A1	Pump Aggregate w/o Float Switch 230 V / 50 Hz AC
11	GO711A2	Pump Aggregate w/ Float Switch 230 V / 50 Hz AC
12	GO711A3	Pump Aggregate w/o Float Switch 230 V / 50 Hz AC, All Except NSAA
13	GO711A4	Pump Aggregate w/ Float Switch 230 V / 50 Hz AC, All Except NSAA
14	GO711A5	Pump Aggregate w/o Float Switch 24 V 60 Hz AC, NAA Only
15	GO711A6	Pump Aggregate w/ Float Switch 24 V / 60 Hz AC, NAA Only
16	GAA26190A17	Restrictor Valve
17	- - -	Restrictor Valve - (192724)

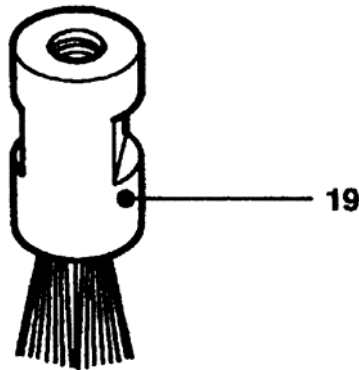
50-GO9703BR

Escalator, Trav-O-Lator Lubrication Systems



VINTAGE G.01

REF. No.	PART No.	DESCRIPTION
18	---	Tightening Device for Lubrication WZ 5384



VINTAGE G.01

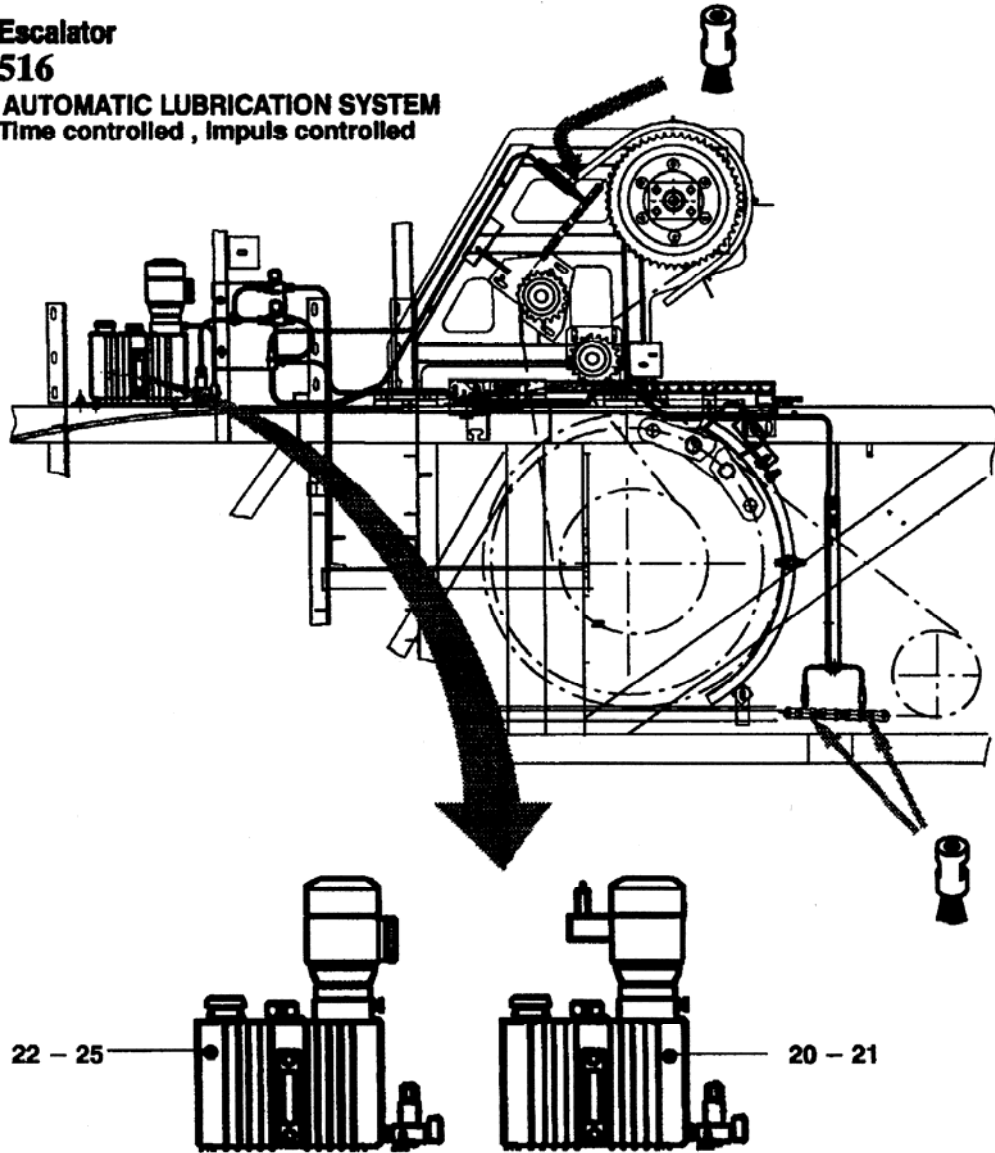
REF. No.	PART No.	DESCRIPTION
19	GAA26190A16	Oil Brush

Escalator, Trav-O-Lator Lubrication Systems

50-GO9703BR

Escalator 516

AUTOMATIC LUBRICATION SYSTEM
Time controlled , Impuls controlled



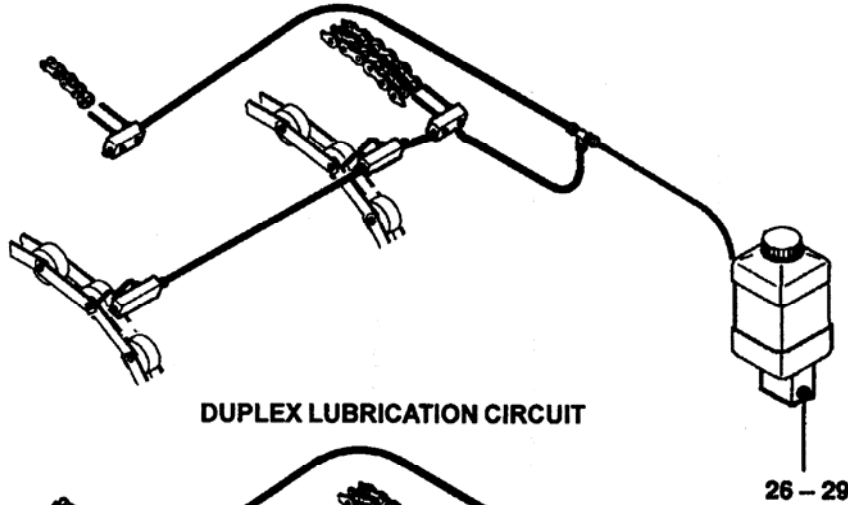
VINTAGE G.01

REF. No.	PART No.	DESCRIPTION
20	GAA711C1	Pump Aggregate w/o Float Switch, Time Controlled
21	GAA711C2	Pump Aggregate w/ Float Switch, Time Controlled
22	GAA711B40	Pump Aggregate w/o Float Switch 230-400 V, Impulse Controlled
23	GAA711B41	Pump Aggregate w/ Float Switch 230-400 V, Impulse Controlled
24	GAA711B42	Pump Aggregate w/o Float Switch 415 V, Impulse Controlled
25	GAA711B43	Pump Aggregate w Float Switch 415 V, Impulse Controlled

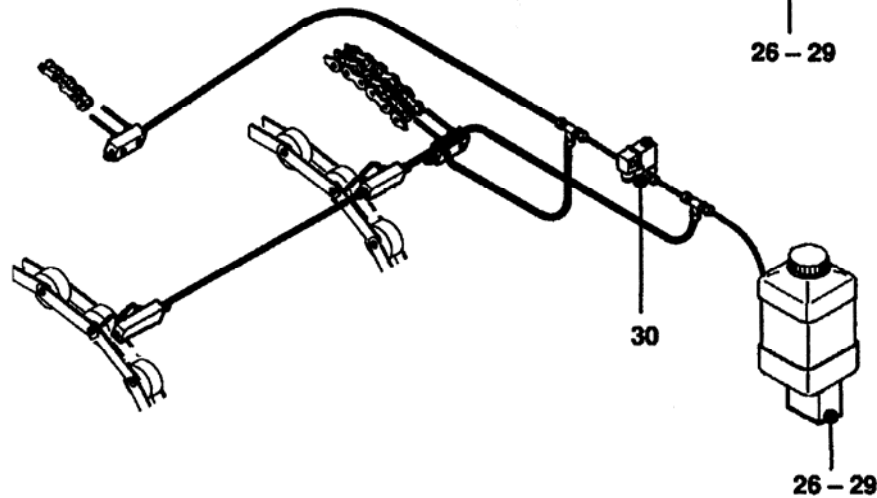
Escalator, Trav-O-Lator Lubrication Systems

**Travolator
606 NCT / 610 NPT
AUTOMATIC LUBRICATION SYSTEM
'DELIMON' TIME CONTROLLED**

SINGLE LUBRICATION CIRCUIT



DUPLEX LUBRICATION CIRCUIT

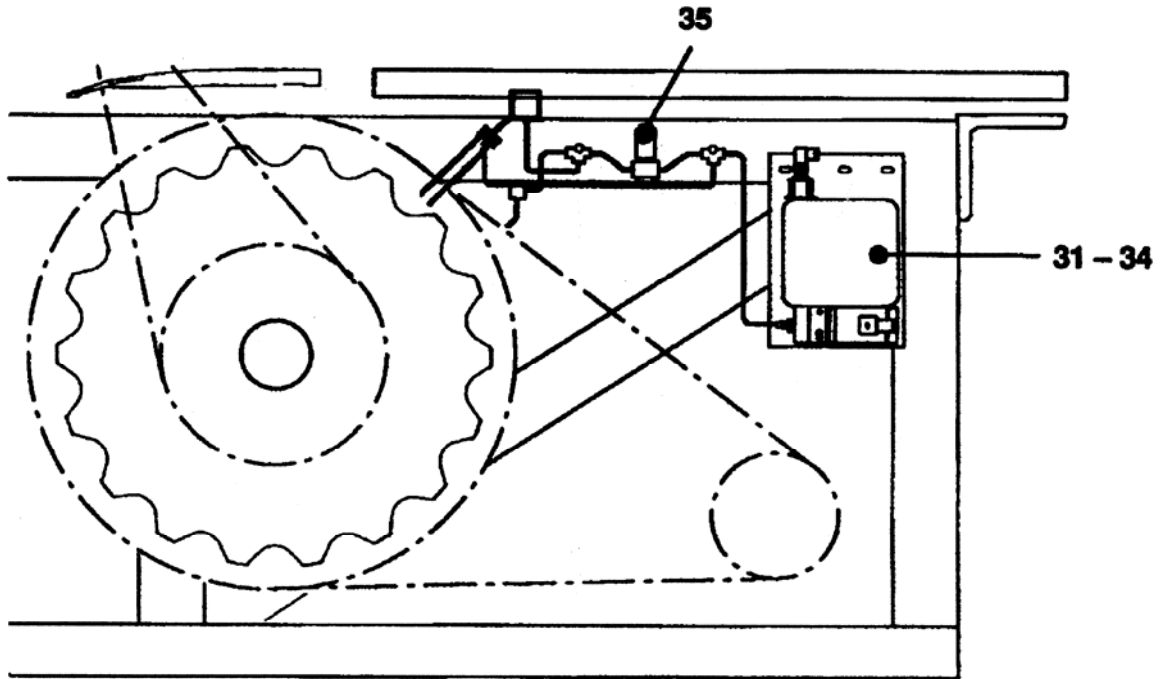


REF. No.	PART No.	DESCRIPTION
	GAA26390A	
26	GO711A3	Pump Aggregate w/o Float Switch 230 V / 50 Hz AC, All Except NAA
27	GO711A4	Pump Aggregate w/ Float Switch 230 V / 50 Hz AC, All Except NAA
28	GO711A5	Pump Aggregate w/o Float Switch 24 V / 60 Hz AC, NAA Only
29	GO711A6	Pump Aggregate w/ Float Switch 24 V / 60 Hz AC, NAA Only
30	GAA271D1	3/2 Way Valve Magnetic Controlled 230 V/AC

Escalator, Trav-O-Lator Lubrication Systems

50-GO9703BR

Escalator / Trav-O-Lator 513 NPE / 610 NPT AUTOMATIC LUBRICATION SYSTEM 'DELIMON' TIME CONTROLLED

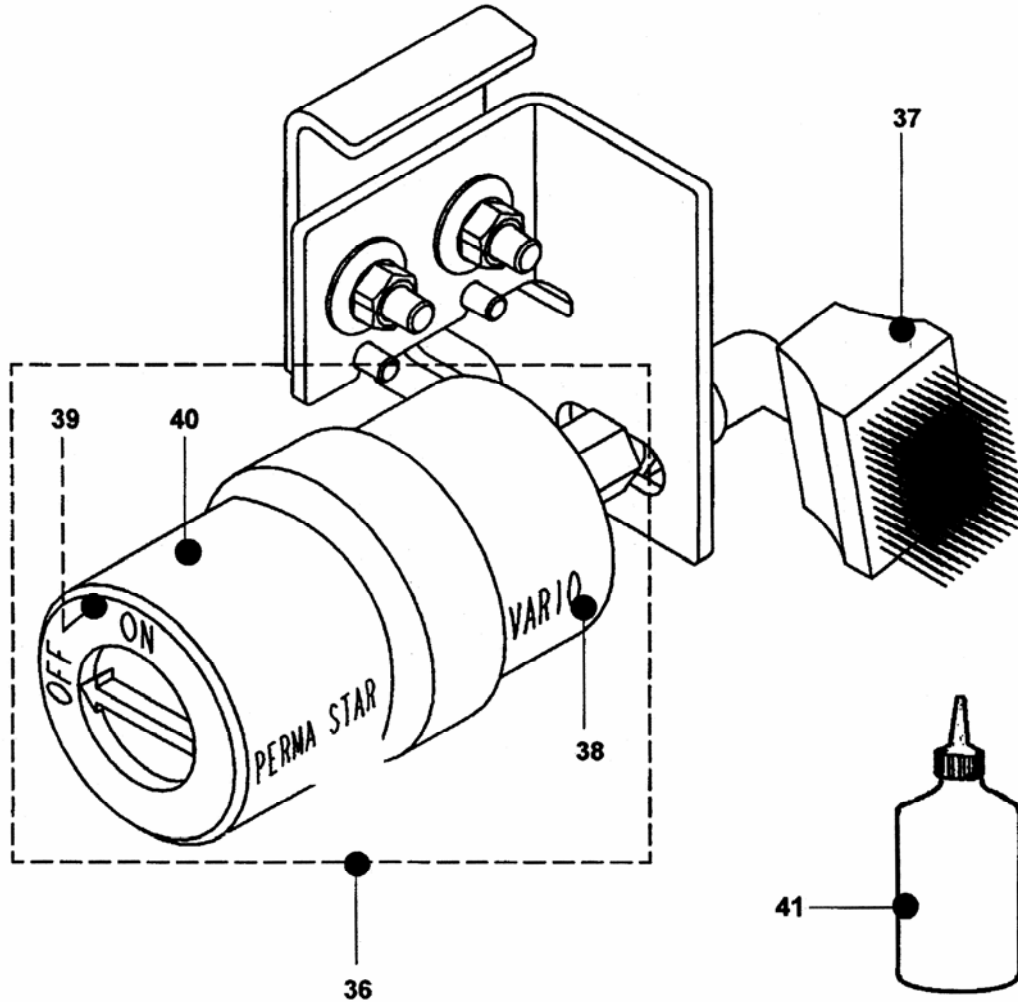


REF. No.	PART No.	DESCRIPTION
	GAA26190L	
31	GO711A3	Pump Aggregate w/o Float Switch 230 V, 50 Hz AC, All Except NAA
32	GO711A4	Pump Aggregate w/ Float Switch 230 V, 50 Hz, All Except NAA
33	GO711A5	Pump Aggregate w/o Float Switch 24 V, 60 Hz AC, NAA Only
34	GO711A6	Pump Aggregate w/ Float Switch 24 V, 60 Hz AC, NAA Only
35	GAA271D1	3/2 Way Valve Magnetic Controlled 230 V AC

50-GO9703BR

Escalator, Trav-O-Lator Lubrication Systems

**Automatic Lubrication System
Perma Star
for tension carriage 513NPE
for low maintenance step chain only**



REF. No.	PART No.	DESCRIPTION
36	GAA711E10	Compl. System Automatically Lubricator
37	GAA711E13	Lubricating Brush
38	GAA711E14	Grease Box LC-unit
39	GAA711E15	Battery Set
40	GAA711E16	Drive Unit
41	GAA711E18	Lubricant Cartridge