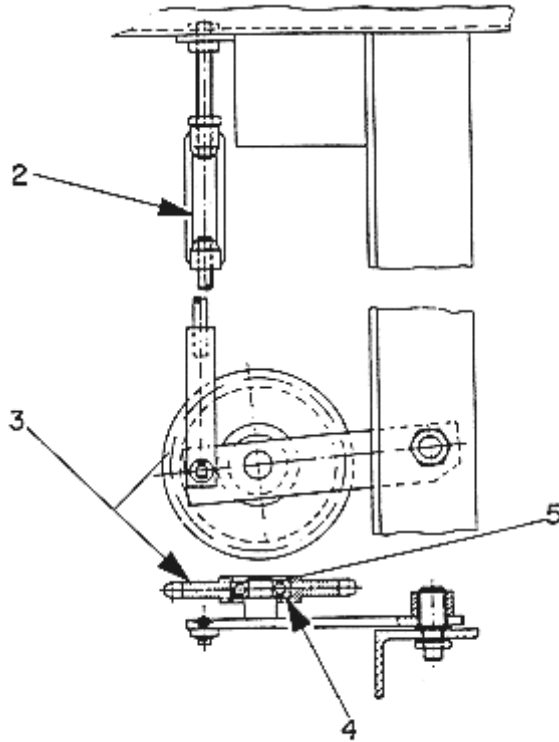
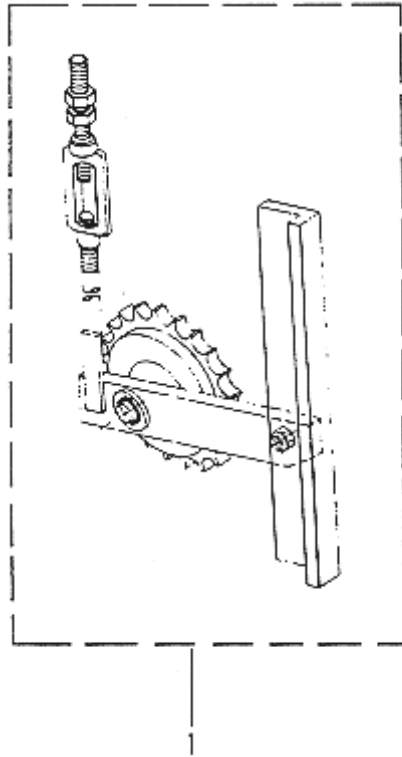


# SPL 50-GOA6814DF - Tension Device - Countershaft Chain

Unpublished Work - © Otis Elevator Company. Any unauthorized reproduction, disclosure, or distribution of copies or content by any person of any portion of this work may be a violation of Copyright Law of the United States of America. All rights reserved.

July 1990

Page 1



## SPL 50-GOA6814DF - Tension Device - Countershaft Chain

Page 2

REF. NUM.	DESCRIPTION	PART OR ML
1	TENSION DEVICE - COMPLETE	GOA6814DF
2	TURNBUCKLE BM12 x 125 DIN1480	BO485A1
3	PULLEY	GOA195BG1
4	JEARING BALL 6304 2RS DIN625	48XX030800
5	RETENTION RING AC 20 x 1.2 DIN471	01RF030200