

ESCALATOR

50-HE0012B

History

Leaflet Description

Protection Device

Leaflet Revisions

Date Revised	Subject Matter Expert	Reason for Revision
2019-12-12	Cai Yongchao	New SPL

Related Drawings

Drawing No.	Title	Drawing No.	Title
HAA384PC	ANTI-CLIMBING DEVICE	HAA72BS	RIVET NUT
XAA102KA	VERTICAL DEFLECTOR PLATE	HAA384PC	ACCESS RESTRICTION DEVICE
HAA102ADL	CAUTION LABEL		

Related Documents

Document ID	Title
(ODS)_ HE0012B	Protection Device

Subject Matter Expert

Name	Department
Cai Yongchao	OTIS ENGINEERING CHINA ESCALATOR

About Spare Parts Leaflets...

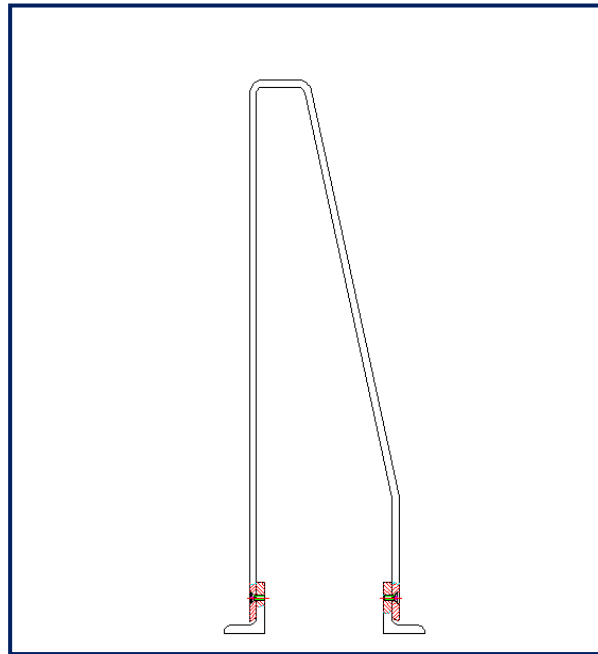
This document lists the lowest replaceable units (LRUs) for the standard version of the product. The LRUs are chosen by a team of Otis associates representing engineering and manufacturing.

While goal of this document is to make parts identification as easy as possible, the document cannot be all-inclusive. Elevator and escalator contracts classified as "special" or "custom" are not addressed here. For such contracts, please refer to specified information, the contract folder, TIPs, Field Education Articles, Construction Letters, etc. for further information.

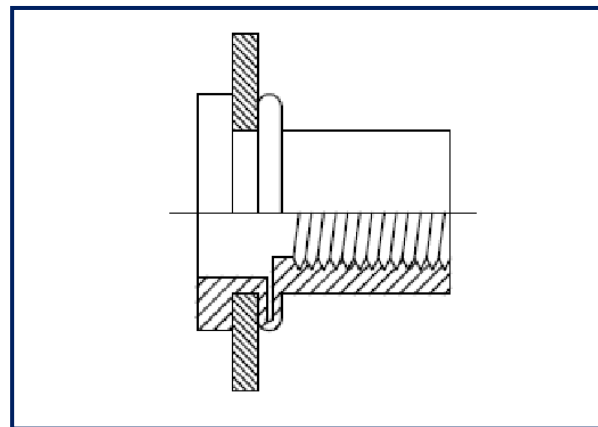
If you have any suggestions about this document, please contact the subject matter expert listed on this page.

ESCALATOR Protection Device

**Spare Parts Leaflet
50-HE0012B**



1

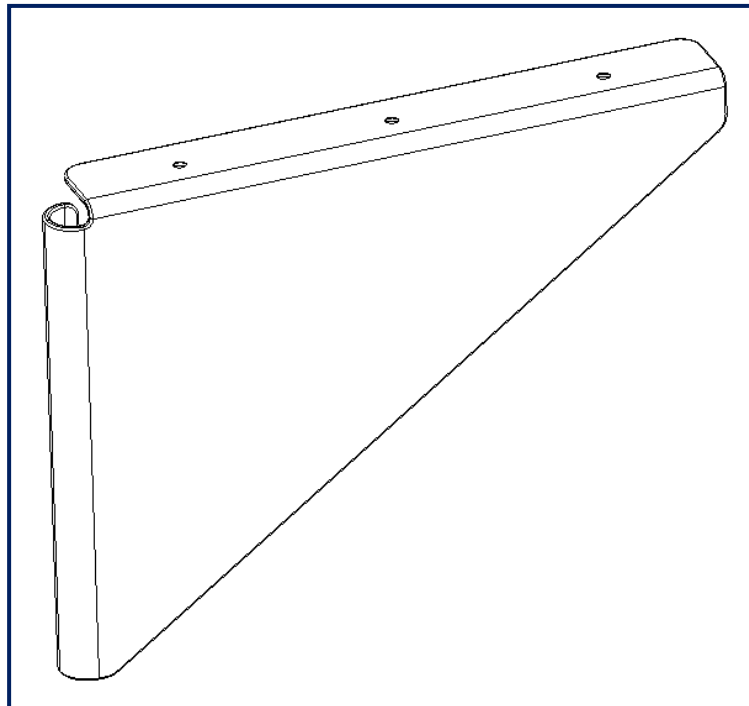


2









HE0012B		
REF. No.	PART No.	DESCRIPTION
1	HAA384PC4	Anti-Climbing Device
2	HAA72BS7	RIVET NUT

ESCALATOR Protection Device

**Spare Parts Leaflet
50-HE0012B**



3

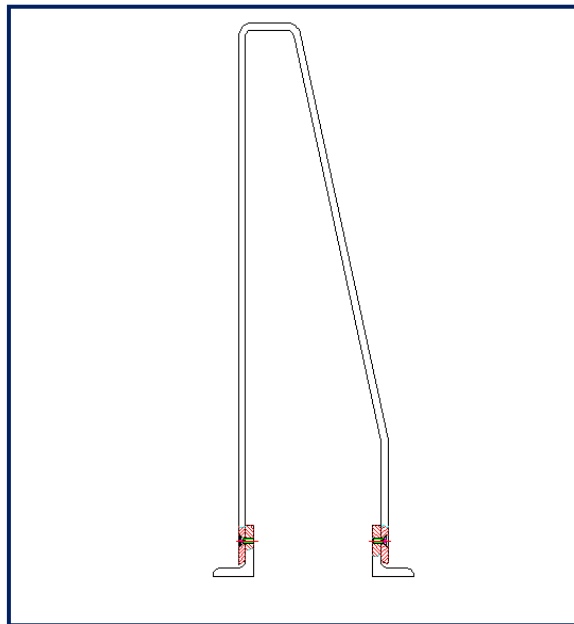
HE0012B			
REF. No.	PART No.	INCLI	DESCRIPTION
3	XAA102KA1	35°	Vertical Deflector Plate 
	XAA102KA2	35°	Vertical Deflector Plate 
	XAA102KA3	30°	Vertical Deflector Plate 
	XAA102KA4	30°	Vertical Deflector Plate 
	XAA102JZ1	35°	Vertical Deflector Plate 
	XAA102JZ2	35°	Vertical Deflector Plate 
	XAA102JZ3	30°	Vertical Deflector Plate 
	XAA102JZ4	30°	Vertical Deflector Plate 

**Spare Parts Leaflet
50-HE0012B**



**ESCALATOR
Protection Device**



4



5

HE0012B		
REF. No.	PART No.	DESCRIPTION
4	HAA102ADL999	Caution Labe 
	HAA102ADL998	Caution Labe 
5	HAA384PC3	Access Restriction Device,