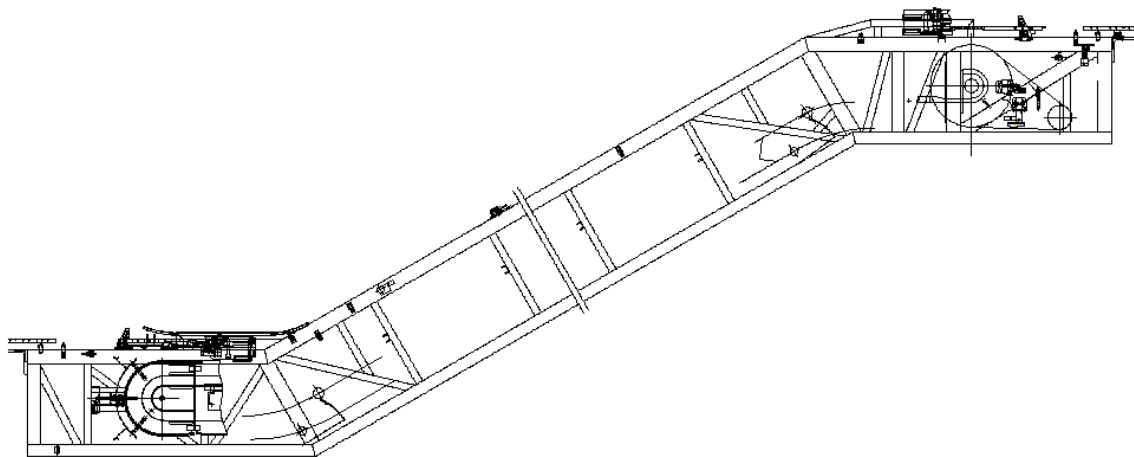


# ESCALATOR SAFETY DEVICE

## Spare Parts Leaflet

### 50-HE1302B

May. 17<sup>th</sup>, 2023 / Page 1 of 35



Unpublished Work—© Otis Elevator Co.

# OTIS

This document contains  
technical data subject to  
EAR. ECCN = EAR99

**ELEVATOR ENGINEERING  
OTIS ENGINEERING CHINA  
ESCALATOR**

# Spare Parts Leaflet 50-HE1302B

## History

### Leaflet Description

Safety device for Link-ANSI

### Leaflet Revisions

Date Revised	Subject Matter Expert	Reason for Revision
May 17 <sup>th</sup> , 2023	Song Jie	New SPL (CN NO.: CNT2300186)

### Related Drawings

Drawing No.	Title	Drawing No.	Title
HE1302B	Safety Device Mechanical	HAA386BGG	Bracket Of Limit Switch
XAA26200AC	Step And Step Roller Broken Safety Protect Device Controller and Associated Equipment	HAA386BGF	Bracket Of Limit Switch
XAA26200AD	Safety Device Mechanical	HAA386ANR	Bracket Of Step Loss
XBA65DA	T Bolt	HAA180GM	Holder
XAA283AVR	Formed Angle Steel	HAA180GN	Bracket
HAA283ADC	Formed Angle Steel	HAA316CYC	Bracket
XAA26220DE	Broken Chain Detector	XAA299FS	Diffuse Reflection Box
HAA26183BJ	Handrail Speed Detecte Device	HAA283AJQ	Tension Carriage Bracket
HAA386CHE	Angle	HAA316AKB	Bracket
DAA180MP	Bracket	HAA180HG	Bracket
HAA180HJ	Bracket	HAA180KG	Bracket
HAA180KF	Bracket	HAA180HE	Bracket
HAA386DTG	Dt Port Holder		
GBA177HK	Handrail Break Protect Switch	DAA608K	Msd Sensor
AAA608D	Flooding - Liquid Level Switch	HAA177FE	Safety Switch
GBA177HL	Safety Switch	DAA177DE	Piezoelectricity Switch
GBA177HA	Safety Switch	GBA177EG	Safety Switch
GAA177KR	Safety Switch	GBA177HK	Safety Switch
XAA456K	Roller	XAA456BL	Roller
HAA633E	Encoder Assembly	GCA177GF	Handrail Entry Contact
HAA177EA	Auxiliary Brake Switch		

# Spare Parts Leaflet 50-HE1302B

## History

### Related Documents

Document ID	Title
HE1302B	ODS - SAFETY DEVICE MECHANICAL
HE1301E	ODS- SAFETY DEVICE ELECTRICAL
HE0804H	ODS- SKIRT PANEL SYSTEM
HE0806F	ODS- BALUSTRADE FASTENING METERIAL
HE0806E	ODS- BALUSTRADE FASTENING METERIAL

### Subject Matter Expert

Name	Department
Song, Jie	LDC ESC

### About Spare Parts Leaflets...

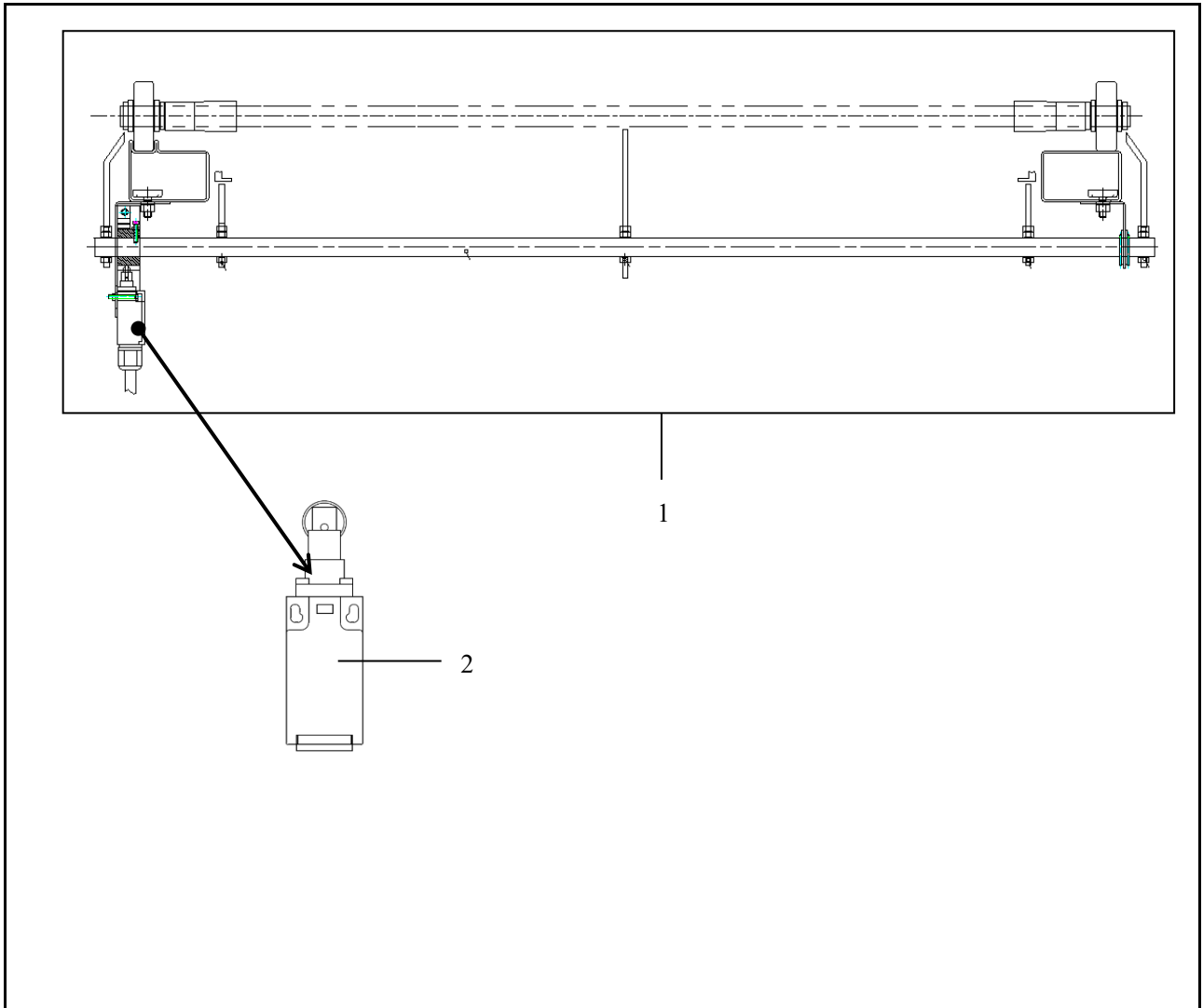
This document lists the lowest replaceable units (LRUs) for the standard version of the product. The LRUs are chosen by a team of Otis associates representing engineering and manufacturing.

While goal of this document is to make parts identification as easy as possible, the document cannot be all-inclusive. Elevator and escalator contracts classified as "special" or "custom" are not addressed here. For such contracts, please refer to specified information, the contract folder, TIPS, Field Education Articles, Construction Letters, etc. for further information.

If you have any suggestions about this document, please contact the subject matter expert listed on this page.

**Spare Parts Leaflet  
50-HE1302B**

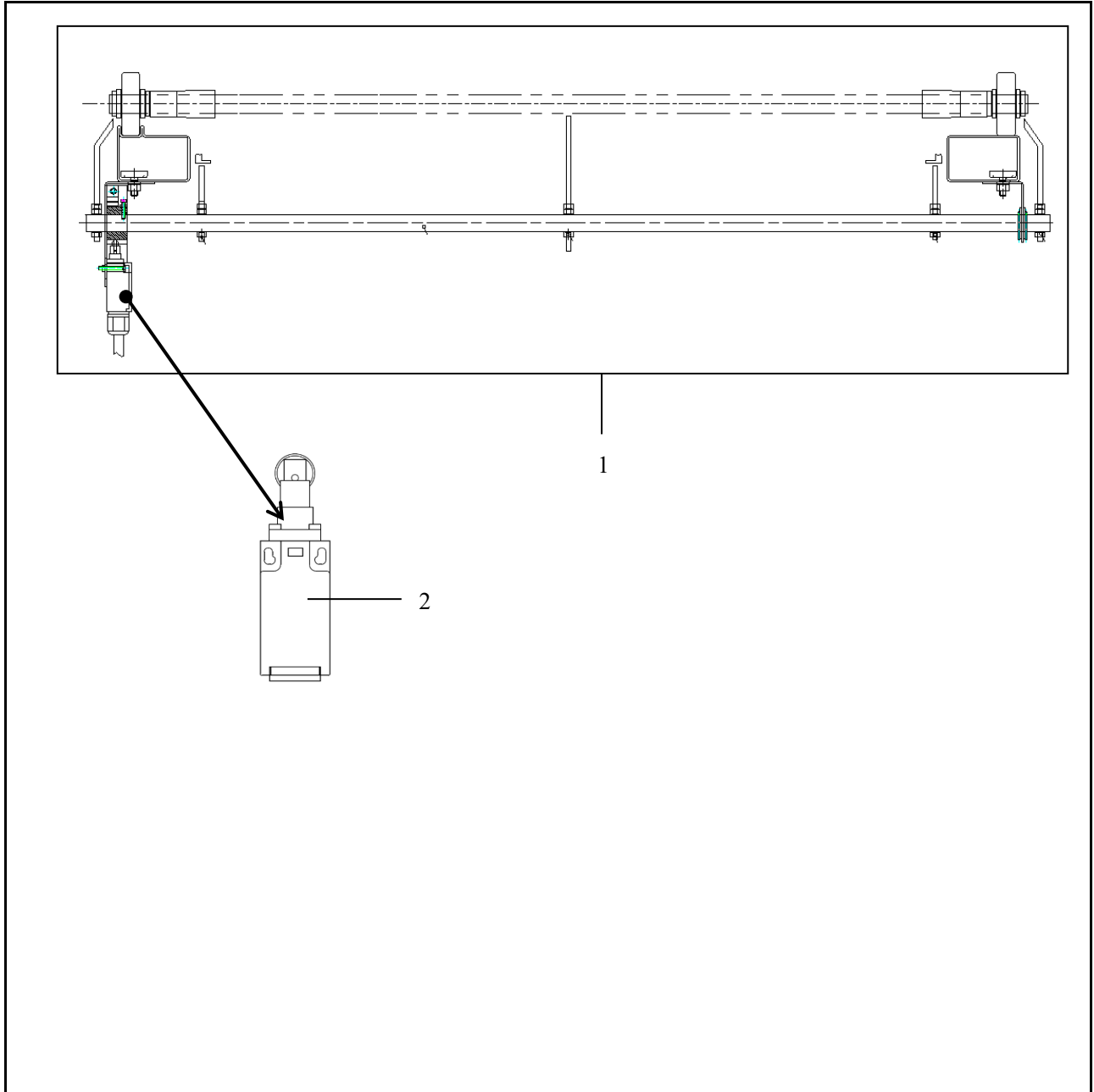
**Escalator Safety Device**



		<b>HE1302B</b>		
<b>REF. No.</b>	<b>PART No.</b>	<b>ENVIRMT</b>	<b>STEPW</b>	<b>DESCRIPTION</b>
1	XAA26200AC37	INDOOR	1000	SAFETY DEVICE MECHANICAL
	XAA26200AC38	INDOOR	800	
	XAA26200AC39	INDOOR	600	
	XAA26200AC40	OUTDOOR	1000	
	XAA26200AC41	OUTDOOR	800	
	XAA26200AC42	OUTDOOR	600	

**Spare Parts Leaflet  
50-HE1302B**

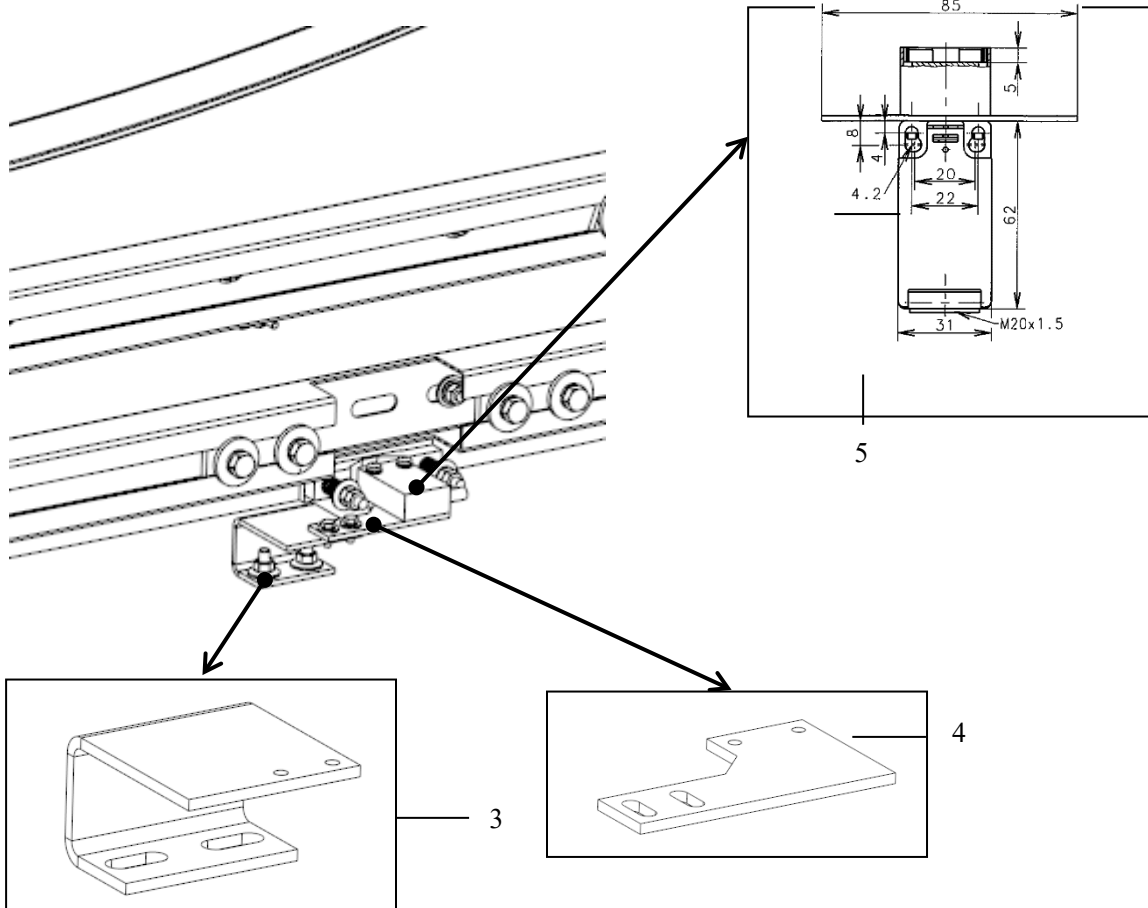
**Escalator Safety Device**



HE1301E			
REF. No.	PART No.	DESCRIPTION	REMARK
2	GBA177HK1	SAFETY SWITCH	Electric component

**Spare Parts Leaflet  
50-HE1302B**

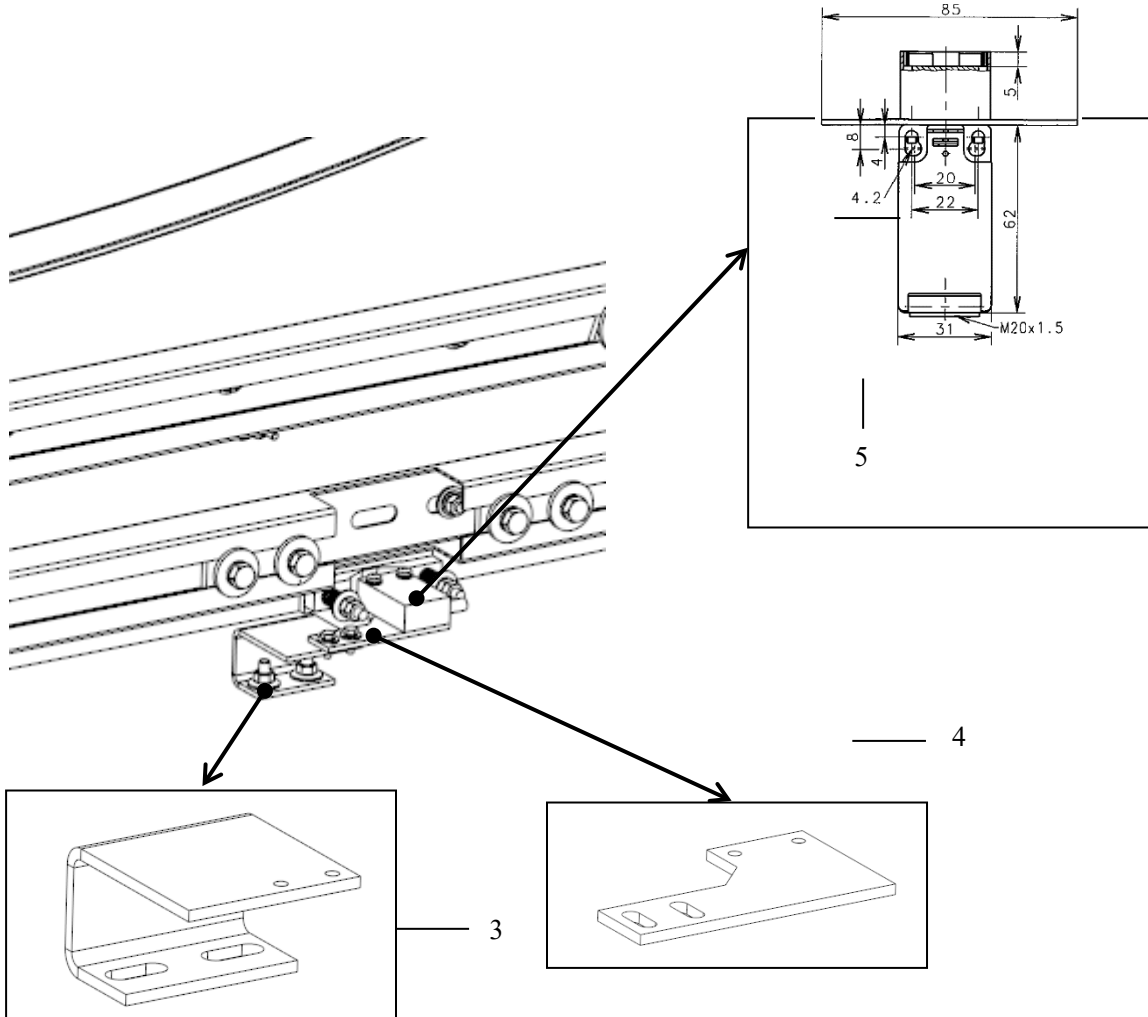
**ESCALATOR  
SAFETY DEVICE**



<b>HE0804H</b>				
<b>REF. No.</b>	<b>PART No.</b>	<b>DESCRIPTION</b>	<b>ENVIRMT</b>	<b>REMARK</b>
3	HAA180HG1	SKIRT PANEL SAFETY SWITCH HOLDER	INDOOR	LOWER LANDING, RIGHT
	HAA180HG2			LOWER LANDING, LEFT
	HAA180HG3		OUTDOOR	LOWER LANDING, RIGHT
	HAA180HG4		LOWER LANDING, LEFT	
4	HAA180HJ1	SKIRT PANEL SAFETY SWITCH HOLDER	INDOOR	LOWER LANDING
	HAA180HJ2	SKIRT PANEL SAFETY SWITCH HOLDER	OUTDOOR	LOWER LANDING

**Spare Parts Leaflet  
50-HE1302B**

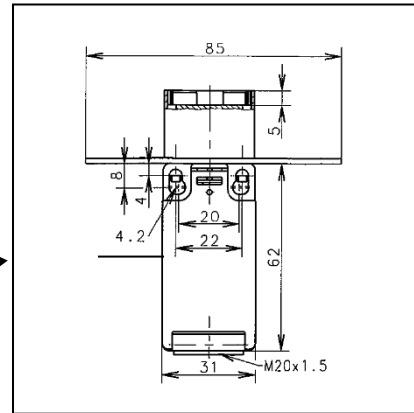
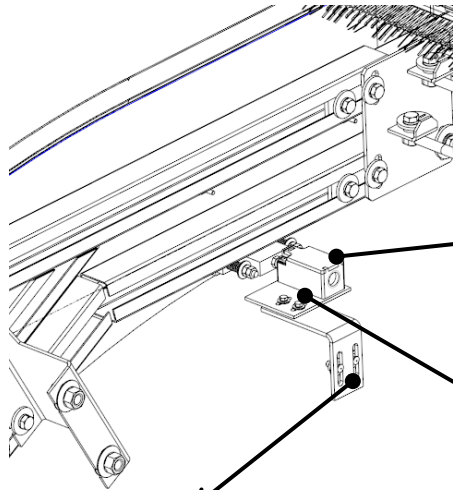
**ESCALATOR  
SAFETY DEVICE**



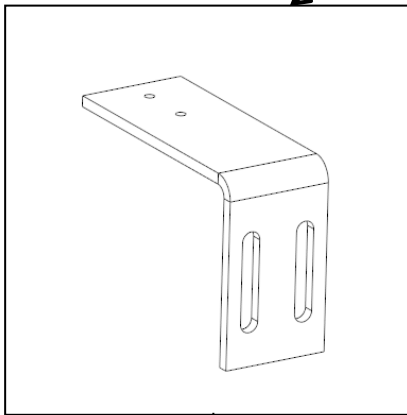
HE1301E				
REF. No.	PART No.	DESCRIPTION	ENVIRMT	REMARK
5	HAA177FE1	SKIRT PANEL SAFETY SWITCH	INDOOR, OUTDOOR	S18, S19

**Spare Parts Leaflet  
50-HE1302B**

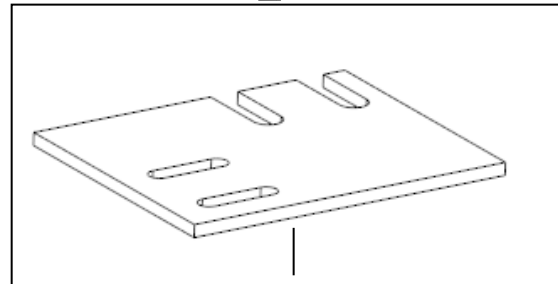
**ESCALATOR  
SAFETY DEVICE**



8



6



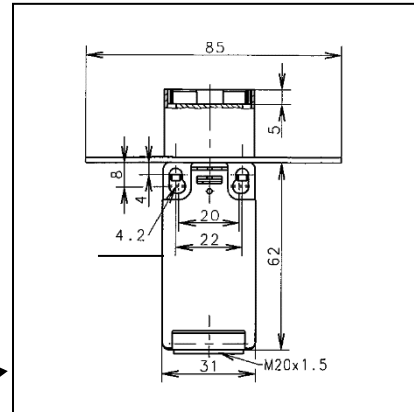
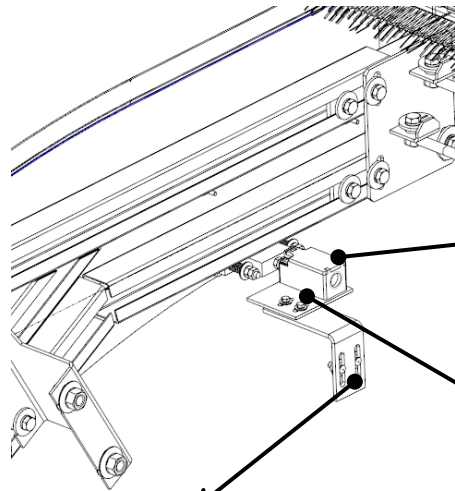
7

HE0804H				
REF. No.	PART No.	DESCRIPTION	ENVIRONMENT	REMARK
6	HAA180KG1	SKIRT PANEL SAFETY SWITCH HOLDER	INDOOR	UPPER LANDING
	HAA180KG2	SKIRT PANEL SAFETY SWITCH HOLDER	OUTDOOR	
7	HAA180KF1	SKIRT PANEL SAFETY SWITCH HOLDER	INDOOR	
	HAA180KF2	SKIRT PANEL SAFETY SWITCH HOLDER	OUTDOOR	

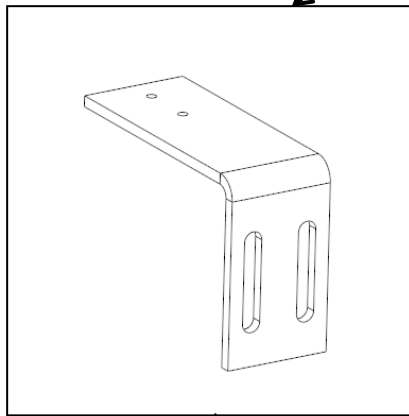


**Spare Parts Leaflet  
50-HE1302B**

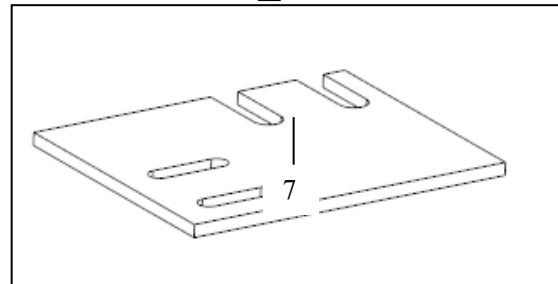
**ESCALATOR  
SAFETY DEVICE**



8



6

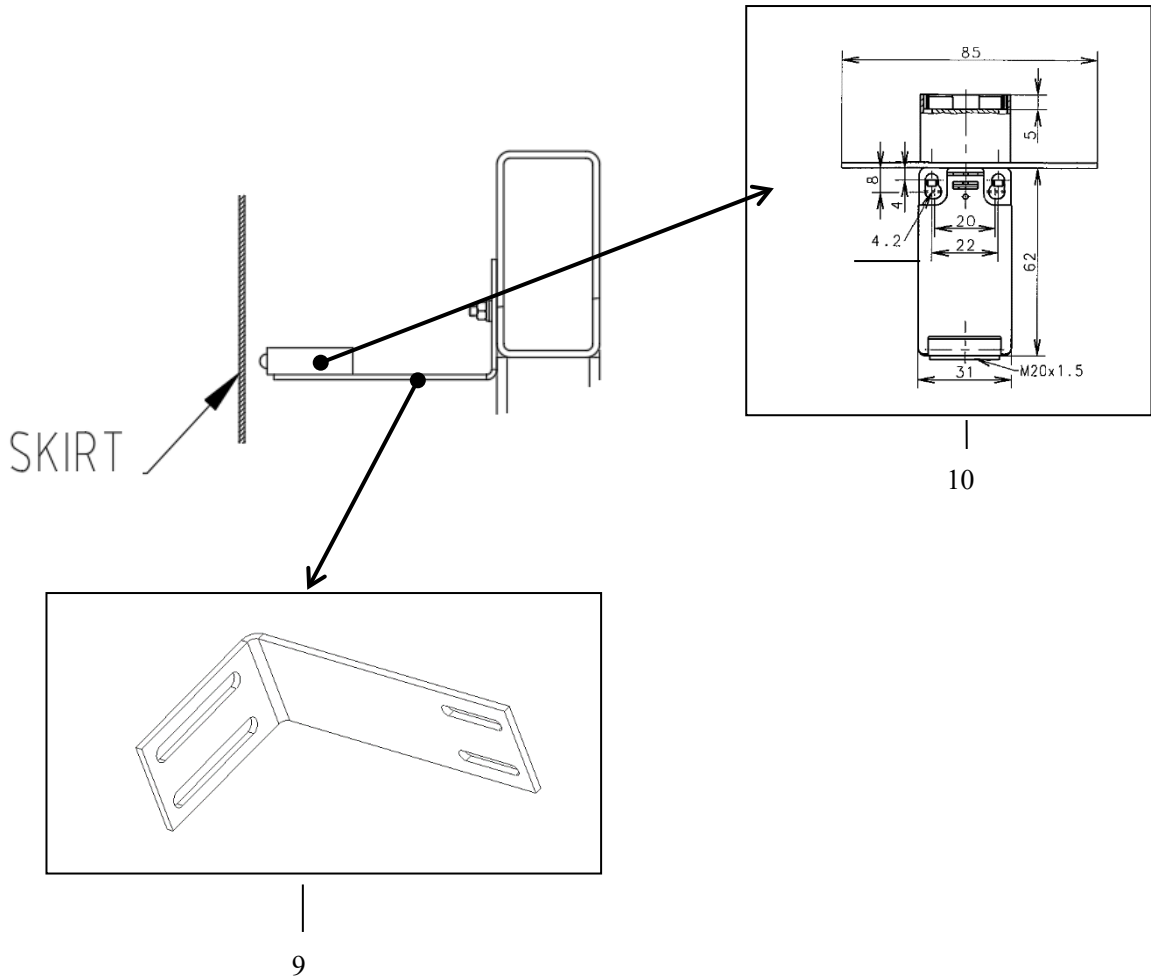


7

REF. No.	PART No.	DESCRIPTION	ENVIRONMENT	REMARK
8	HE1301E GBA177HA 1	SKIRT PANEL SAFETY SWITCH	INDOOR, OUTDOOR	S3, S4

**Spare Parts Leaflet  
50-HE1302B**

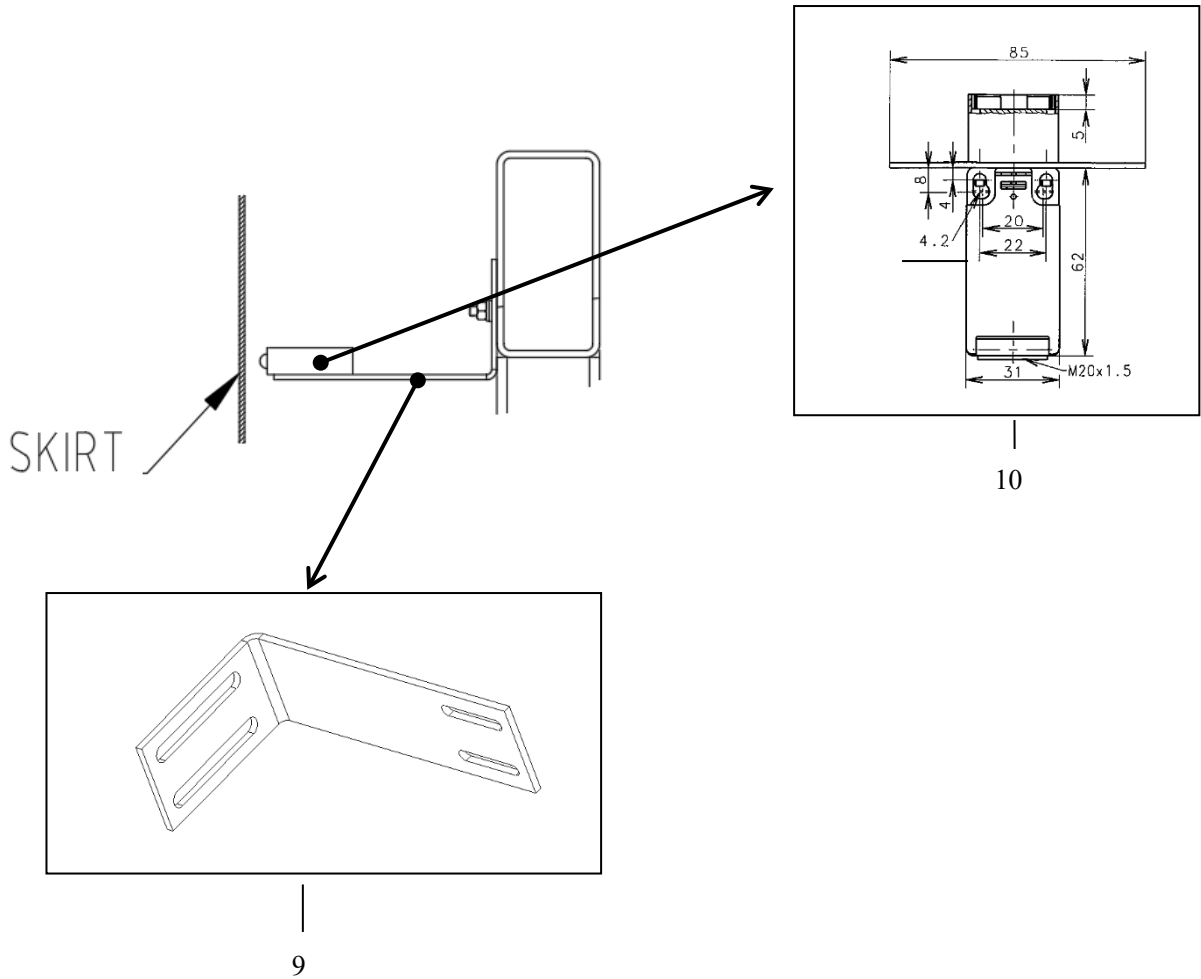
**ESCALATOR  
SAFETY DEVICE**



HE1302B				
REF. No.	PART No.	DESCRIPTION	ENVIRONMENT	REMARK
9	XAA386EGX13	SKIRT PANEL SAFETY SWITCH HOLDER	INDOOR	FOR ANSI_NY CODE (New York) INCLINE SECTION TRUSS
	XAA386EGX14	SKIRT PANEL SAFETY SWITCH HOLDER	OUTDOOR	

**Spare Parts Leaflet  
50-HE1302B**

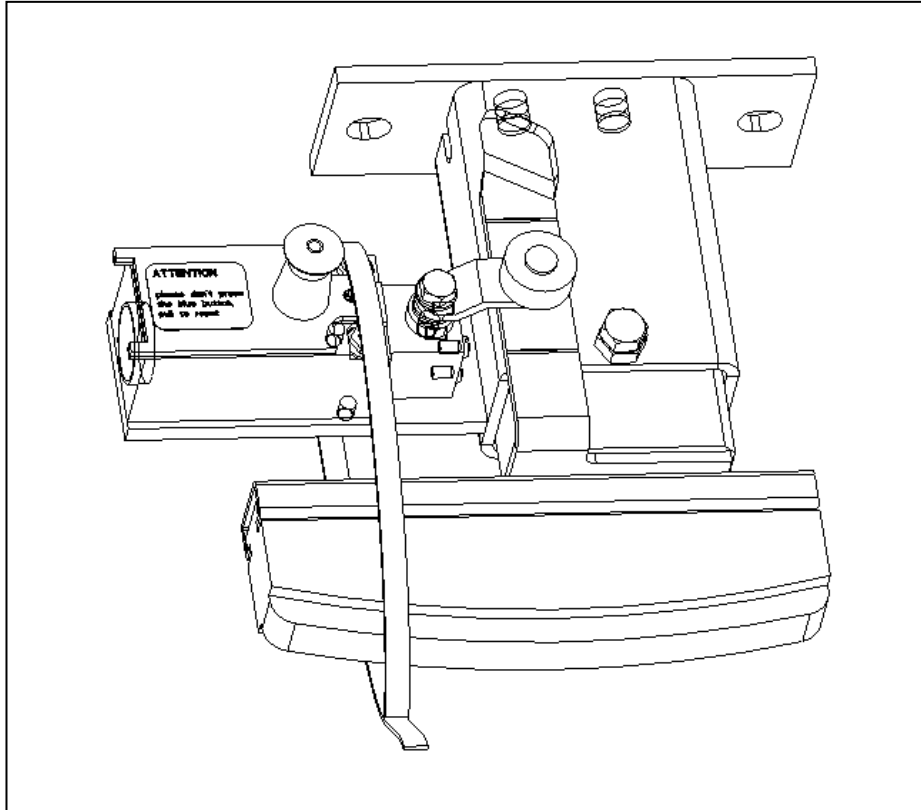
**ESCALATOR  
SAFETY DEVICE**



HE1301E		DESCRIPTION	ENVIRONMENT	REMARK
REF. No.	PART No.			
10	GBA177HA1	SKIRT PANEL SAFETY SWITCH	INDOOR, OUTDOOR	S3.1, S4.1

**Spare Parts Leaflet  
50-HE1302B**

**ESCALATOR  
SAFETY DEVICE**

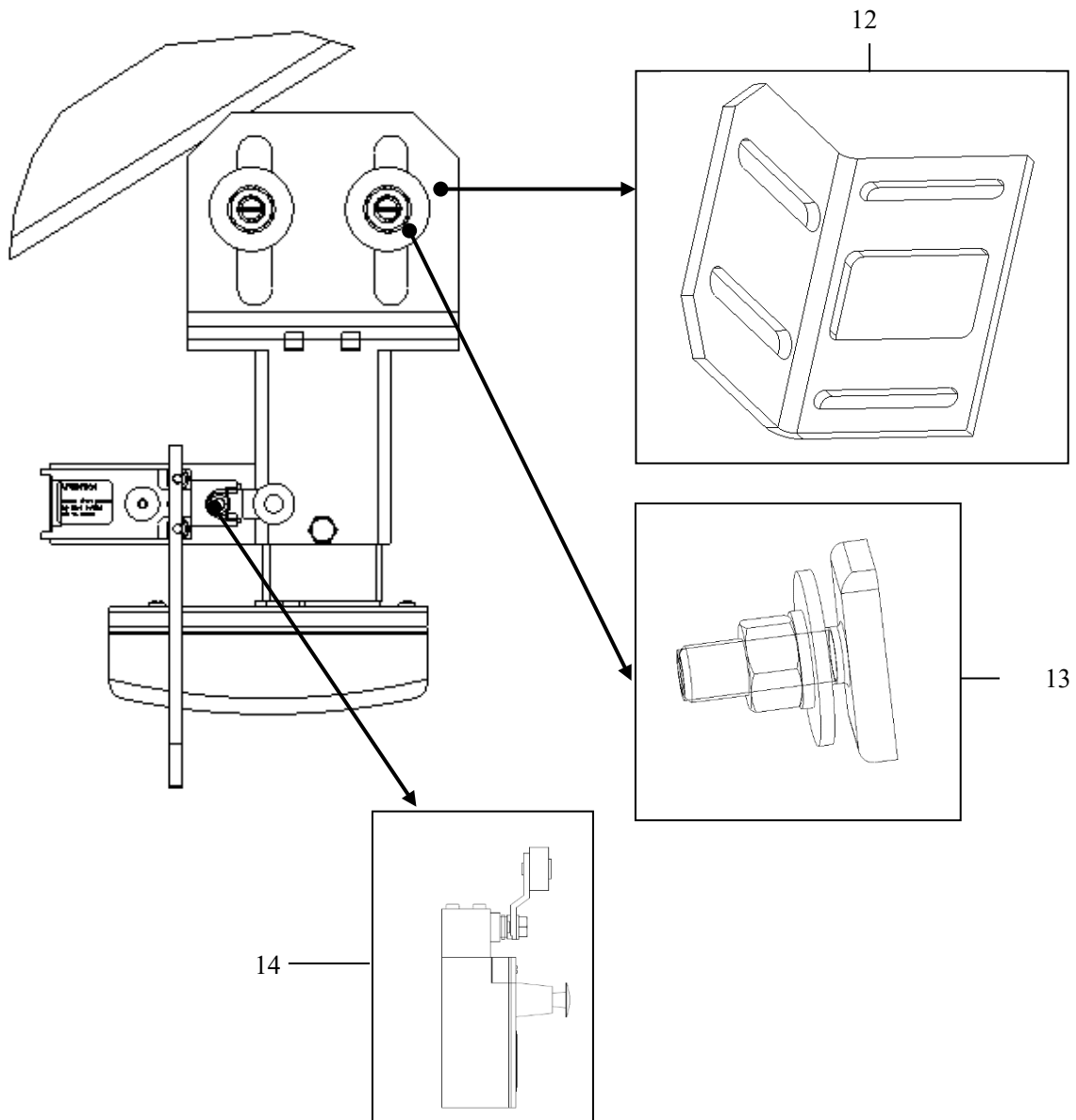


11

REF. No.	PART No.	DESCRIPTION	REMARK
11	XAA26220DE4	BROKEN CHAIN DETECTOR	

**Spare Parts Leaflet  
50-HE1302B**

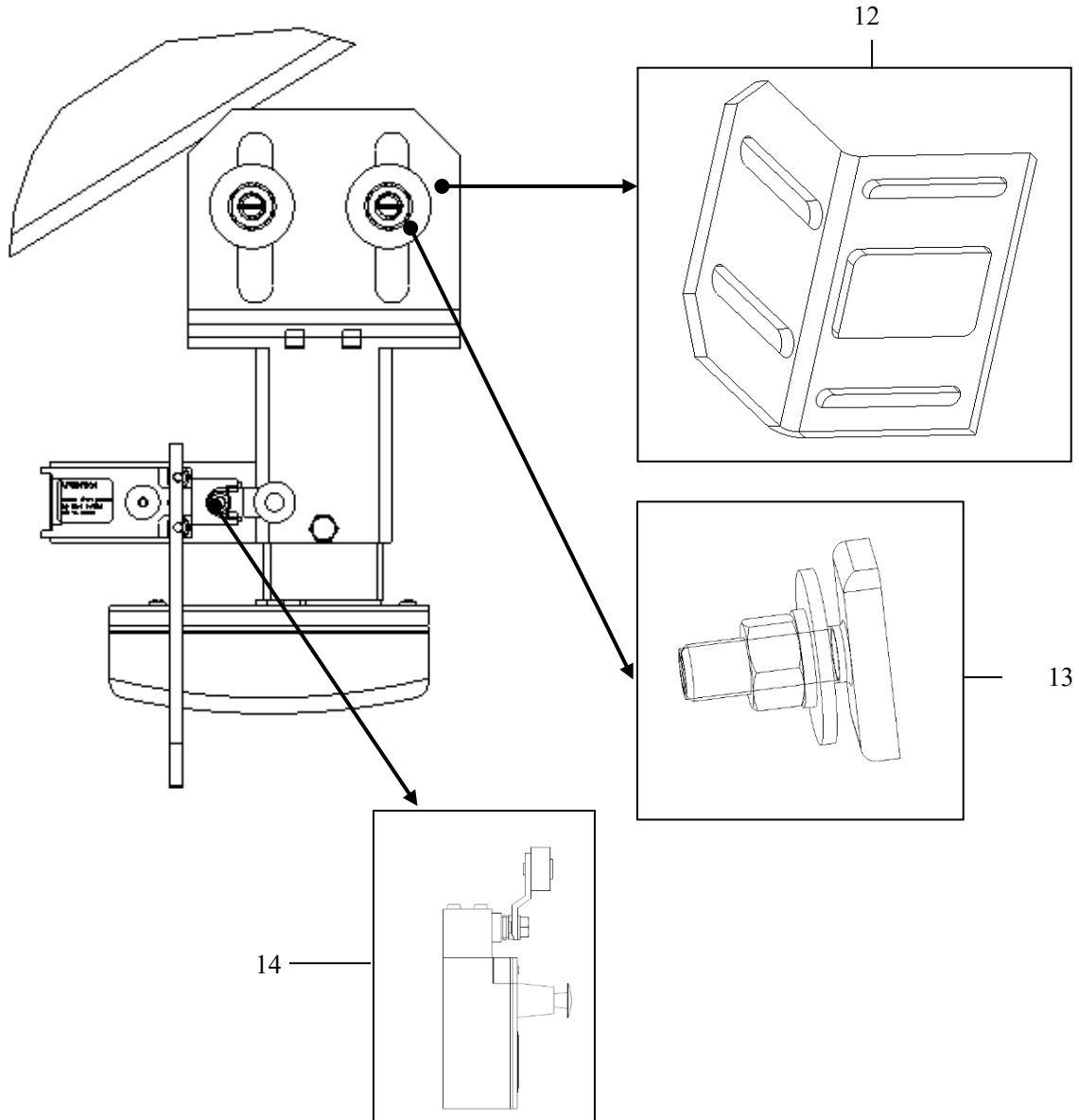
**ESCALATOR  
SAFETY DEVICE**



<b>HE1302B</b>			
<b>REF. No.</b>	<b>PART No.</b>	<b>DESCRIPTION</b>	<b>ENVIRMT</b>
12	HAA283ADC1	FORMED ANGLE STEEL	INDOOR
	HAA283ADC2		OUTDOOR
13	XBA65DA3	T BOLT	INDOOR
	XBA65DA4		OUTDOOR

**Spare Parts Leaflet  
50-HE1302B**

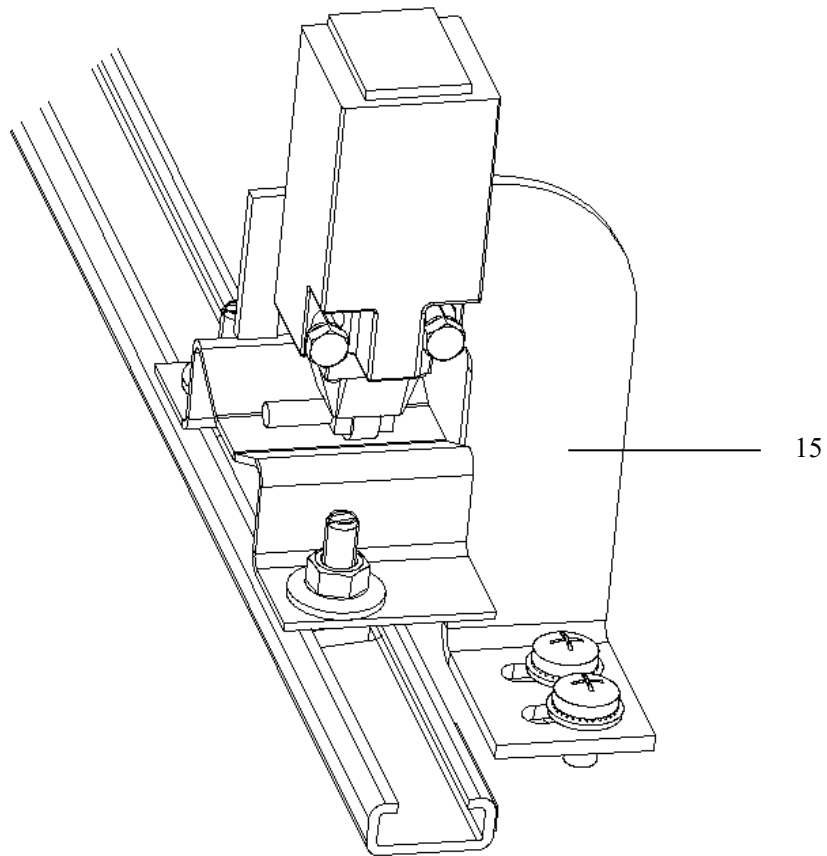
**ESCALATOR  
SAFETY DEVICE**



REF. No.	PART No.	DESCRIPTION	ENVIRMT
14	GBA177HL2	BDC SWITCH	INDOOR/OUTDOOR

**Spare Parts Leaflet  
50-HE1302B**

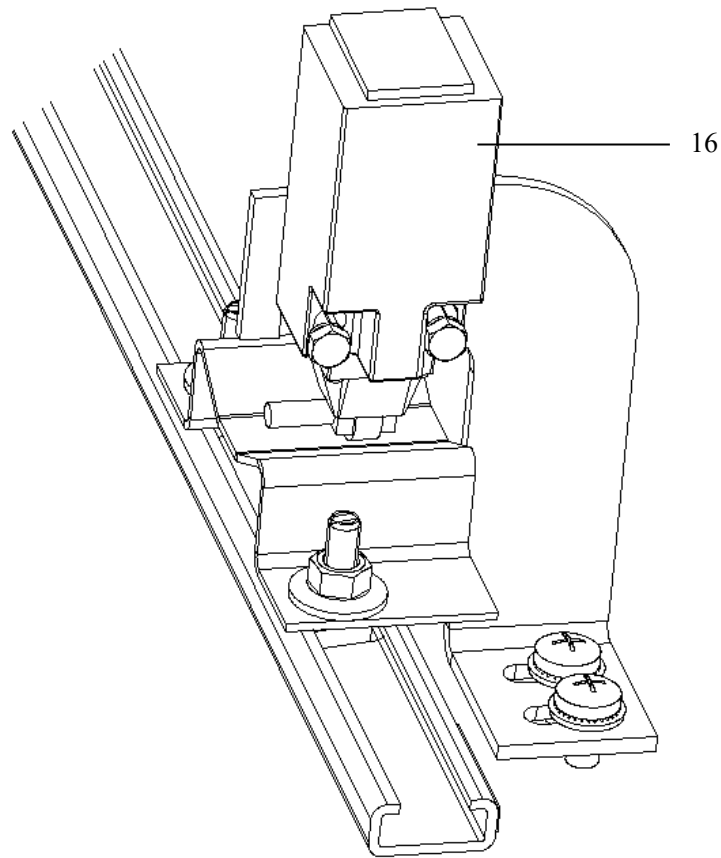
**ESCALATOR  
SAFETY DEVICE**



<b>HE1302B</b>				
<b>REF. No.</b>	<b>PART No.</b>	<b>ENVIRMT</b>	<b>DESCRIPTION</b>	<b>REMARK</b>
15	HAA283AJQ5	INDOOR	BRACKET	LEFT
	HAA283AJQ6	INDOOR		RIGHT
	HAA283AJQ7	OUTDOOR		LEFT
	HAA283AJQ8	OUTDOOR		RIGHT

**Spare Parts Leaflet  
50-HE1302B**

**ESCALATOR  
SAFETY DEVICE**

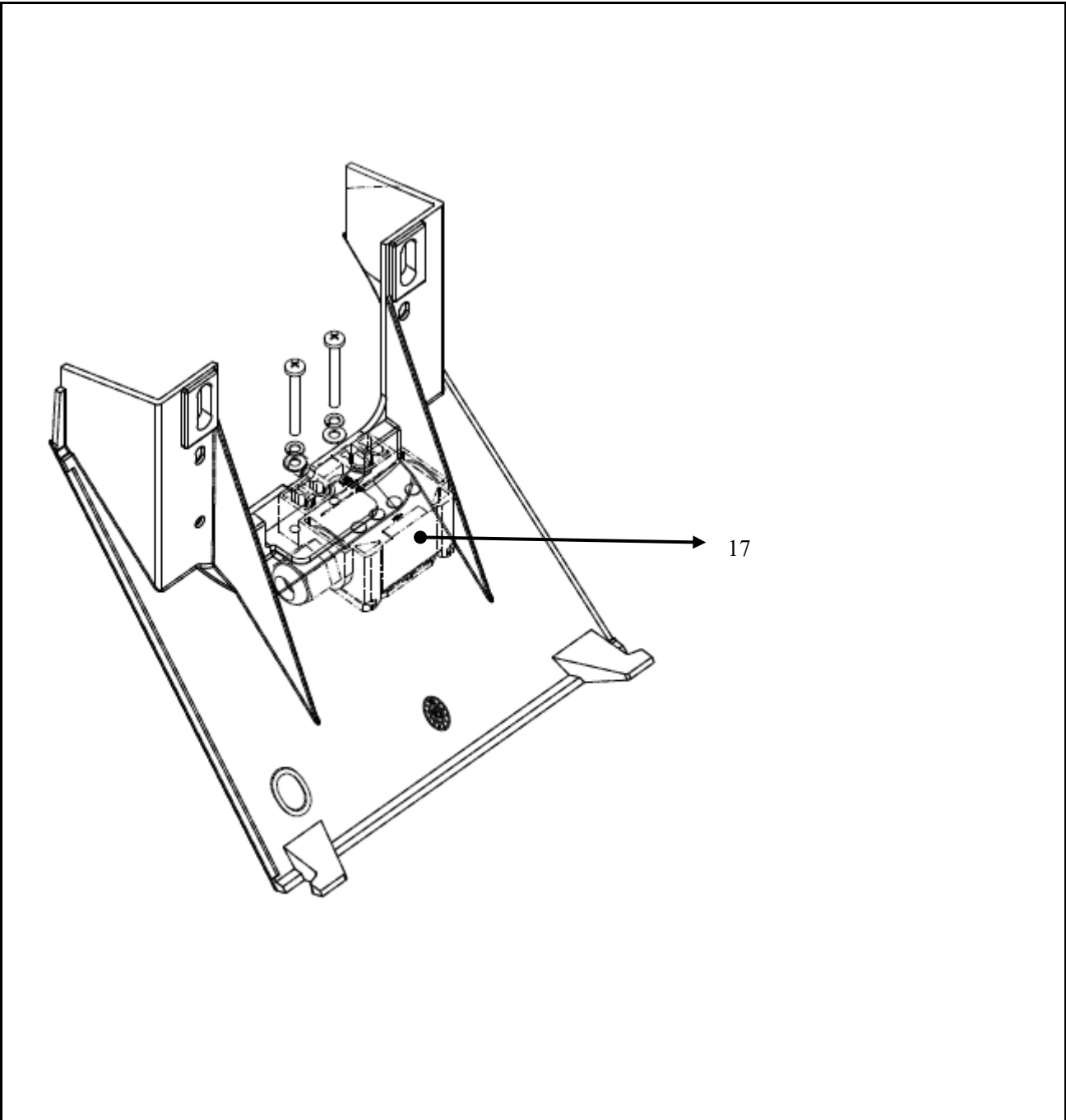


REF. No.	HE1301E PART No.	DESCRIPTION	REMARK
16	GBA177HL2	SAFETY SWITCH	S14
	GBA177HL2		S15



**Spare Parts Leaflet  
50-HE1302B**

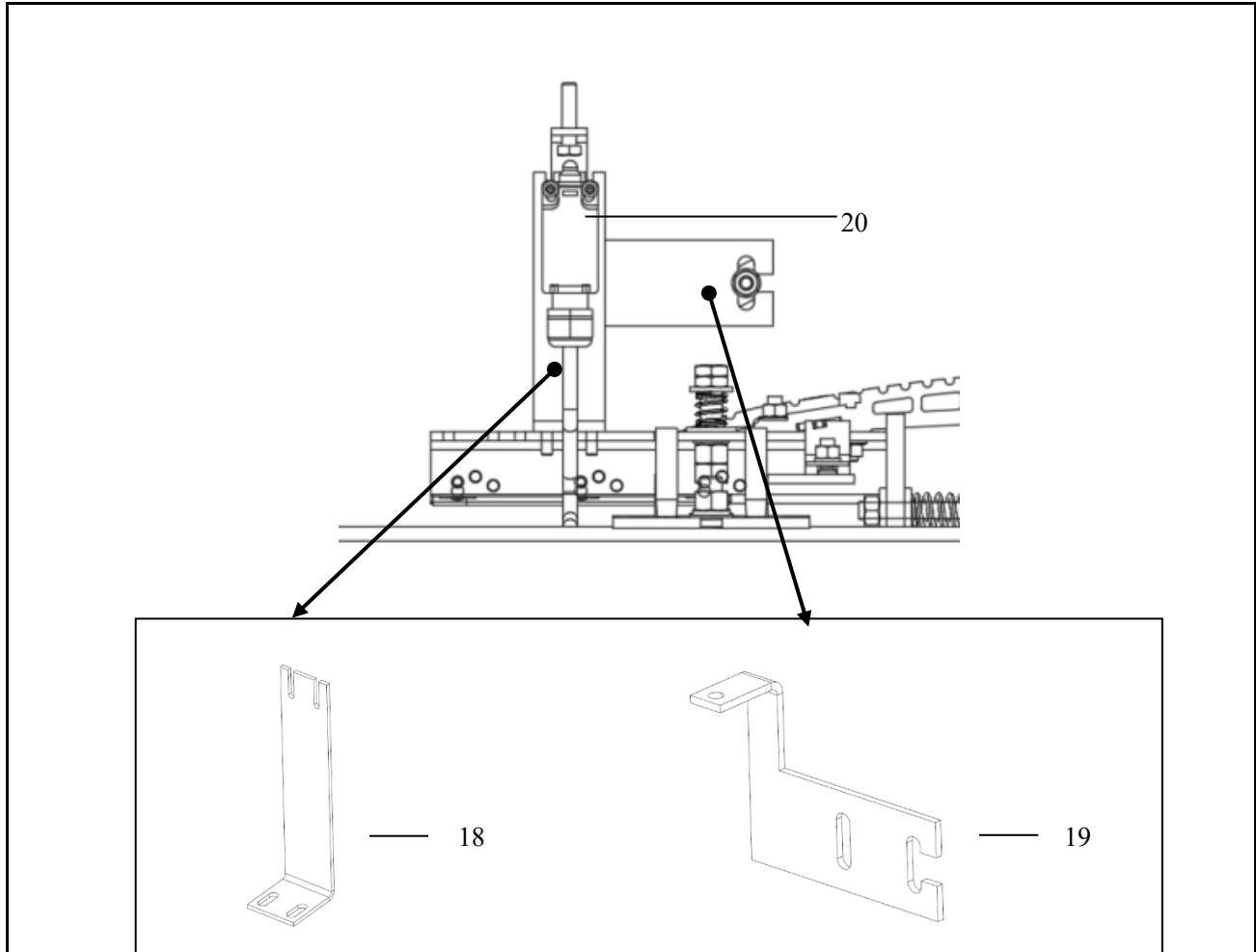
**ESCALATOR  
SAFETY DEVICE**



REF. No.	PART No.	DESCRIPTION	REMARK
17	GCA177GF1	HANDRAIL ENTRY CONTACT	S21 / S22 / S23 / S24

**Spare Parts Leaflet  
50-HE1302B**

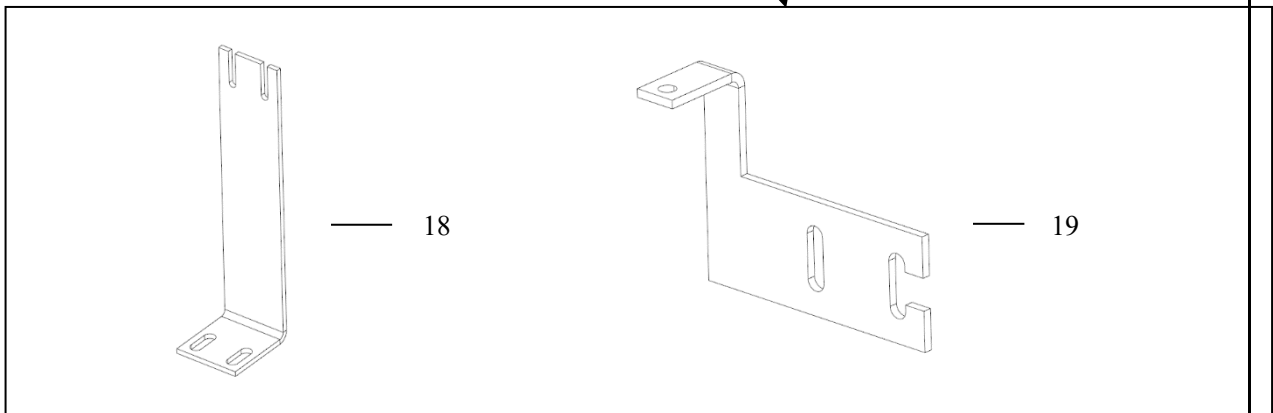
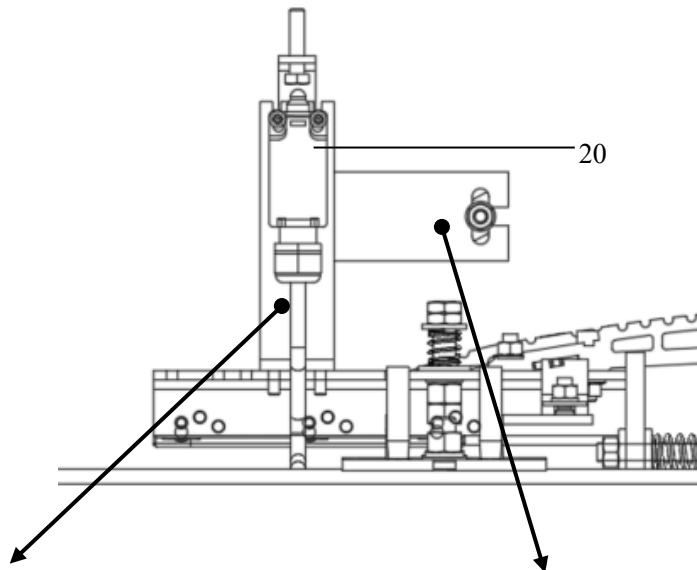
**ESCALATOR  
SAFETY DEVICE**



<b>HE1302B</b>				
<b>REF. No.</b>	<b>PART No.</b>	<b>ENVIRMT</b>	<b>DESCRIPTION</b>	<b>REMARK</b>
18	HAA283ARH1	INDOOR	HOLDER	GLASS BALUSTRADE
	HAA283ARH 2	OUTDOOR		
	HAA283ARH 3	INDOOR	HOLDER	SLOPED OPAQUE STAINLESS-STEEL BALUSTRADE
	HAA283ARH 4	OUTDOOR		
19	HAA283BAE101	INDOOR	BRACKET	
	HAA283BAE102			
	HAA283BAE103	OUTDOOR	BRACKET	
	HAA283BAE104			

**Spare Parts Leaflet  
50-HE1302B**

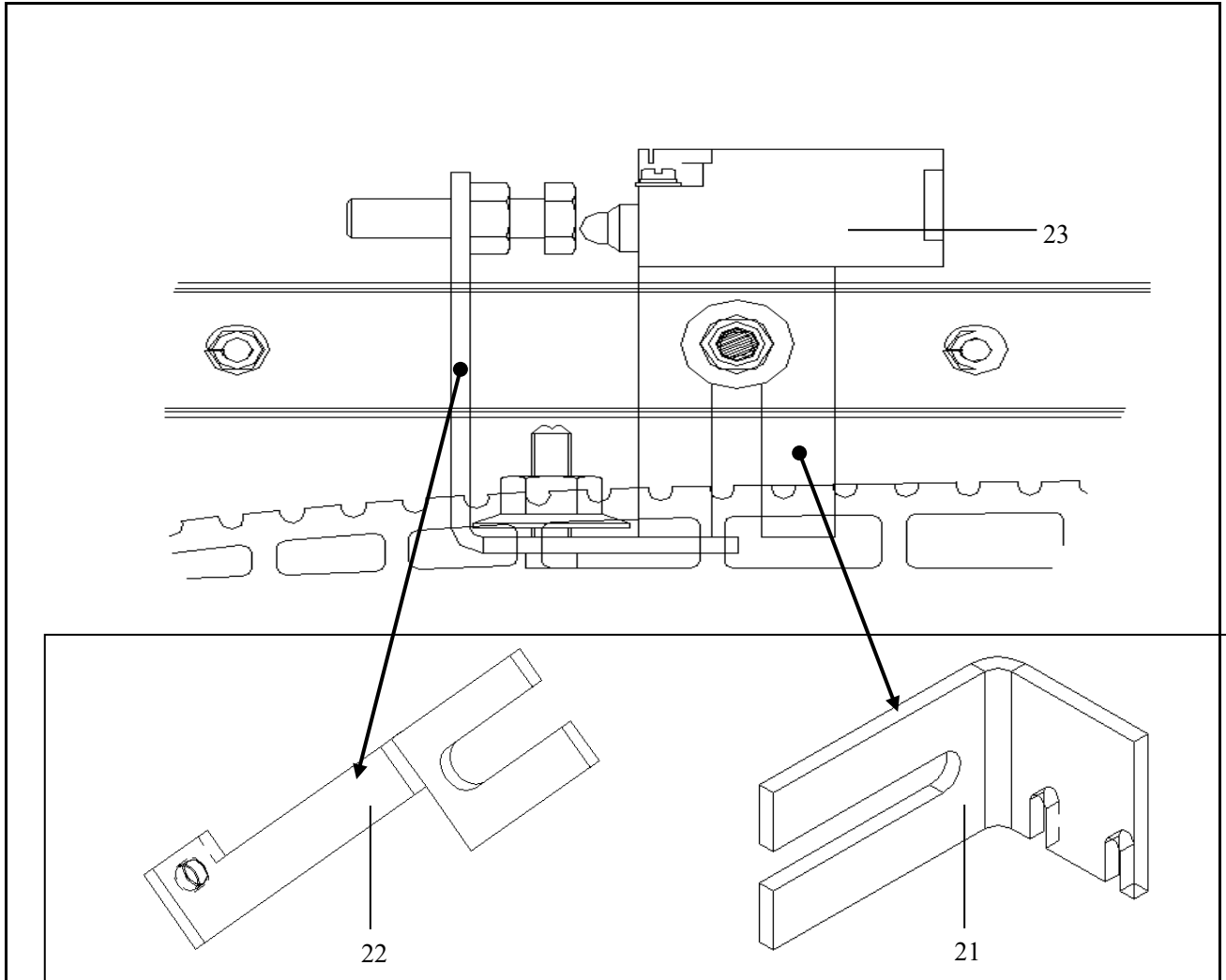
**ESCALATOR  
SAFETY DEVICE**



HE1301E			
REF. No.	PART No.	DESCRIPTION	REMARK
20	GBA177HA1	COMB PLATE IMPACT DEVICE	S1 / S2 / S16 / S17

**Spare Parts Leaflet  
50-HE1302B**

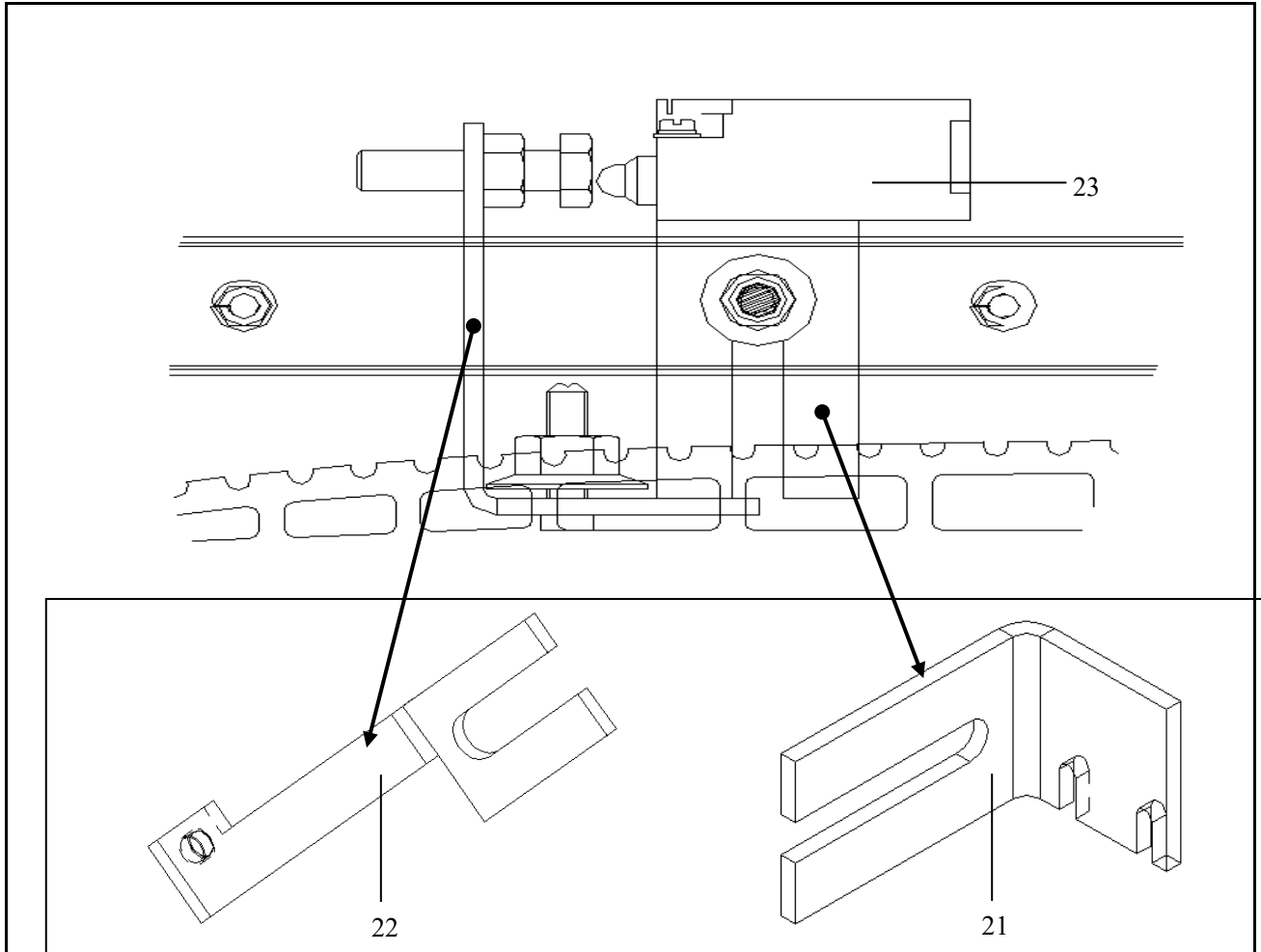
**ESCALATOR  
SAFETY DEVICE**



<b>HE1302B</b>				
<b>REF. No.</b>	<b>PART No.</b>	<b>ENVIRMT</b>	<b>DESCRIPTION</b>	<b>REMARK</b>
21	HAA180GM1	INDOOR	HOLDER	
	HAA180GM2			
	HAA180GM3	OUTDOOR	HOLDER	
	HAA180GM4			
	HAA180GN108			

**Spare Parts Leaflet  
50-HE1302B**

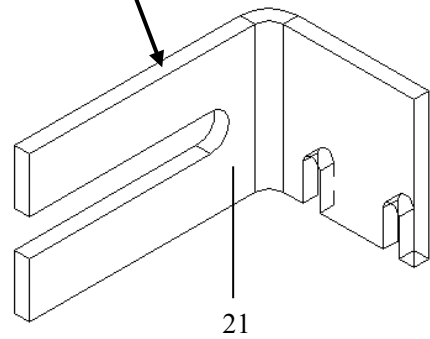
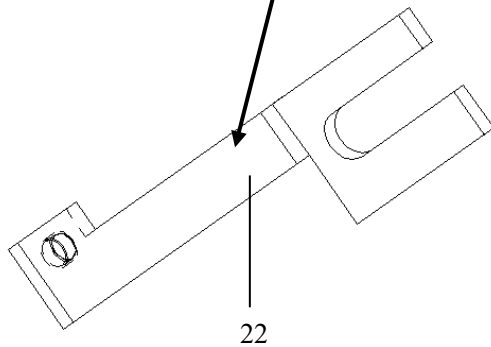
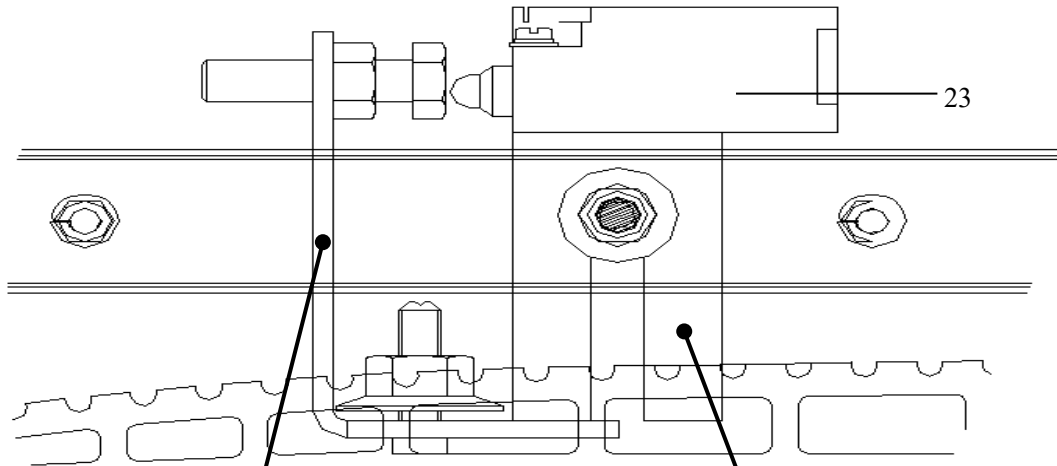
**ESCALATOR  
SAFETY DEVICE**



<b>HE1302B</b>				
<b>REF. No.</b>	<b>PART No.</b>	<b>ENVIRMT</b>	<b>DESCRIPTION</b>	<b>REMARK</b>
22	HAA180GN105	INDOOR	BRACKET	GLASS BALUSTRADE
	HAA180GN106			
	HAA180GN107			
	HAA180GN108	OUTDOOR	BRACKET	SLOPED OPAQUE STAINLESS-STEEL BALUSTRADE
	HAA180GN109	INDOOR	BRACKET	
	HAA180GN110			
	HAA180GN111	OUTDOOR	BRACKET	
	HAA180GN112			

**Spare Parts Leaflet  
50-HE1302B**

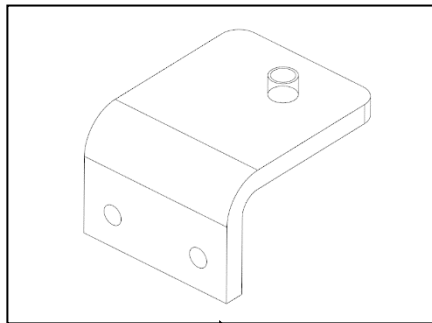
**ESCALATOR  
SAFETY DEVICE**



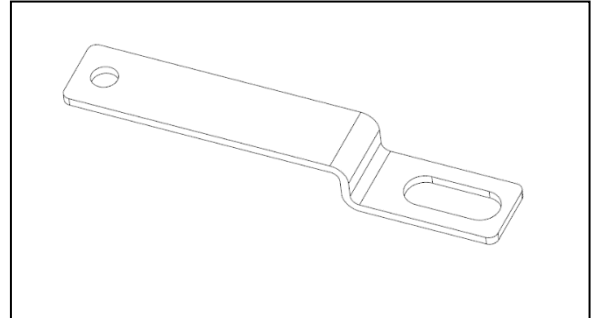
HE1301E			
REF. No.	PART No.	DESCRIPTION	REMARK
23	GBA177HA1	SAFETY SWITCH	

**Spare Parts Leaflet  
50-HE1302B**

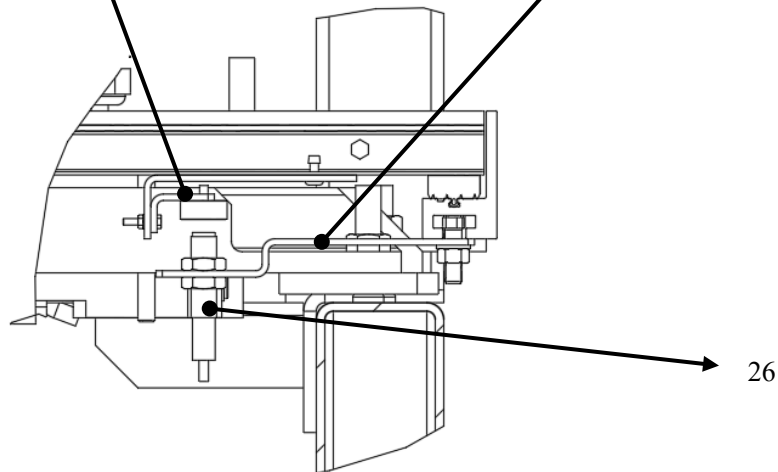
**ESCALATOR  
SAFETY DEVICE**



25



24

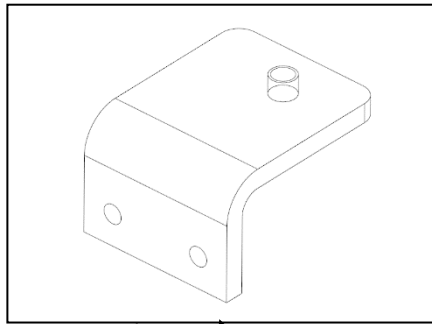


26

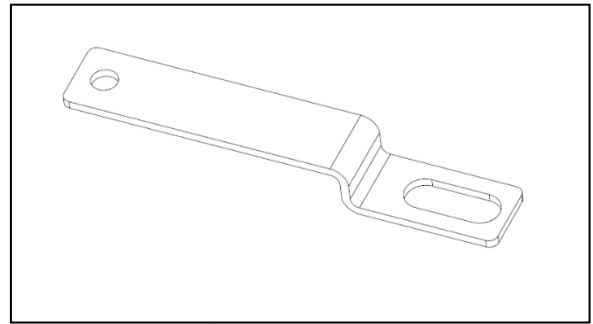
<b>HE1302B</b>			
<b>REF. No.</b>	<b>PART No.</b>	<b>ENVIRMT</b>	<b>DESCRIPTION</b>
24	HAA386CHE1	INDOOR	ANGLE
	HAA386CHE2	OUTDOOR	ANGLE
25	HAA180HE1	INDOOR/ OUTDOOR	BRACKET

**Spare Parts Leaflet  
50-HE1302B**

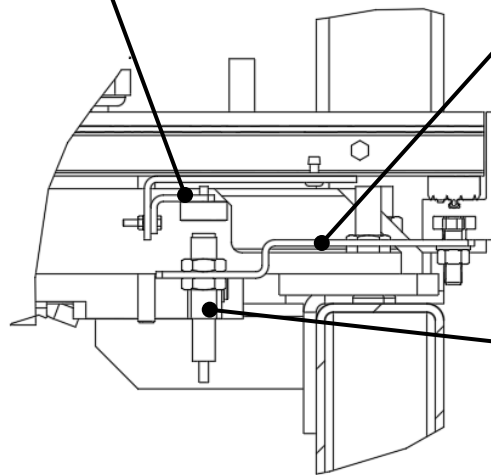
**ESCALATOR  
SAFETY DEVICE**



25



24



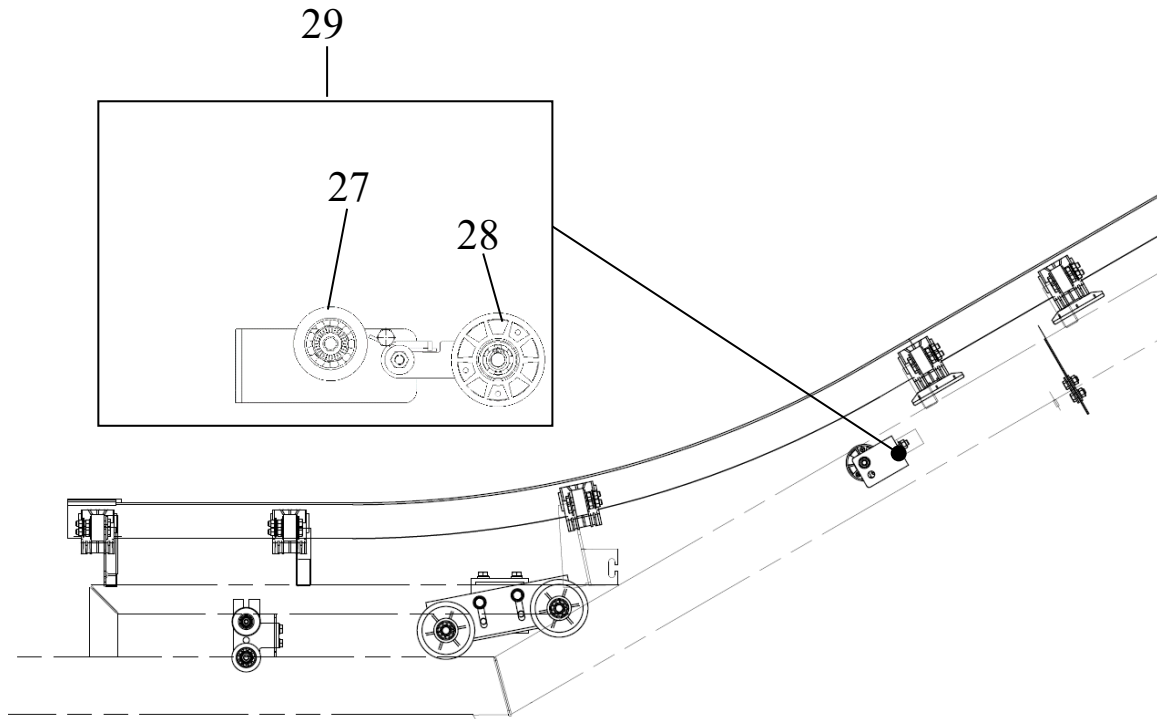
26

HE1301E			
REF. No.	PART No.	ENVIRMT	DESCRIPTION
26	GAA177KR1	INDOOR/OUTDOOR	SAFETY SWITCH



**Spare Parts Leaflet  
50-HE1302B**

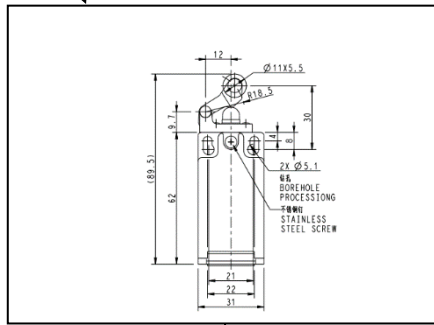
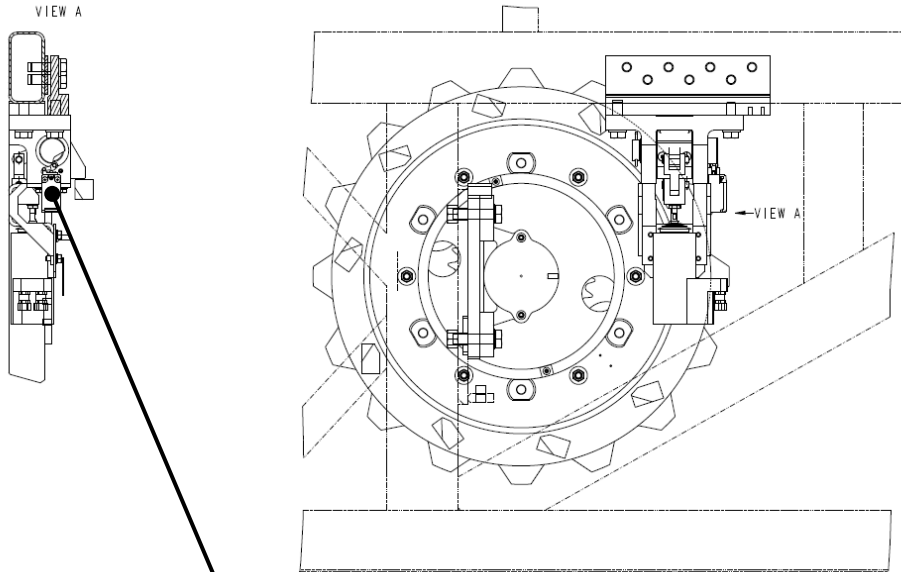
**ESCALATOR  
SAFETY DEVICE**



HE0806F/HE0806E			
REF. No.	PART No.	DESCRIPTION	REMARK
27	XAA456K1	ROLLER	
28	XAA456BL1	ROLLER	
29	HAA26183BJ1	HANDRAIL SPEED DETECTE DEVICE	
	HAA26183BJ2		

**Spare Parts Leaflet  
50-HE1302B**

**ESCALATOR  
SAFETY DEVICE**

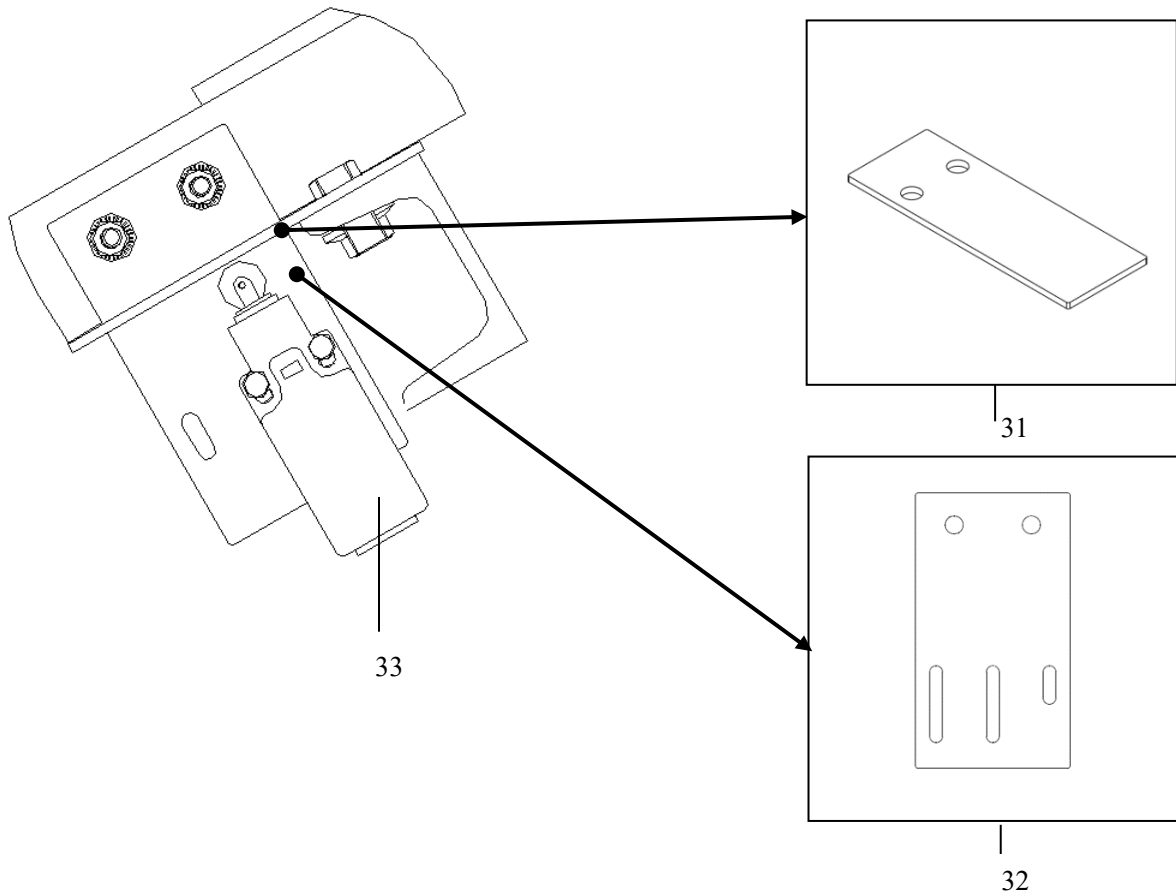


30

REF. No.	HE1301E PART No.	DESCRIPTION	REMARK
30	HAA177EA1	AUXILIARY BRAKE SWITCH	S53

**Spare Parts Leaflet  
50-HE1302B**

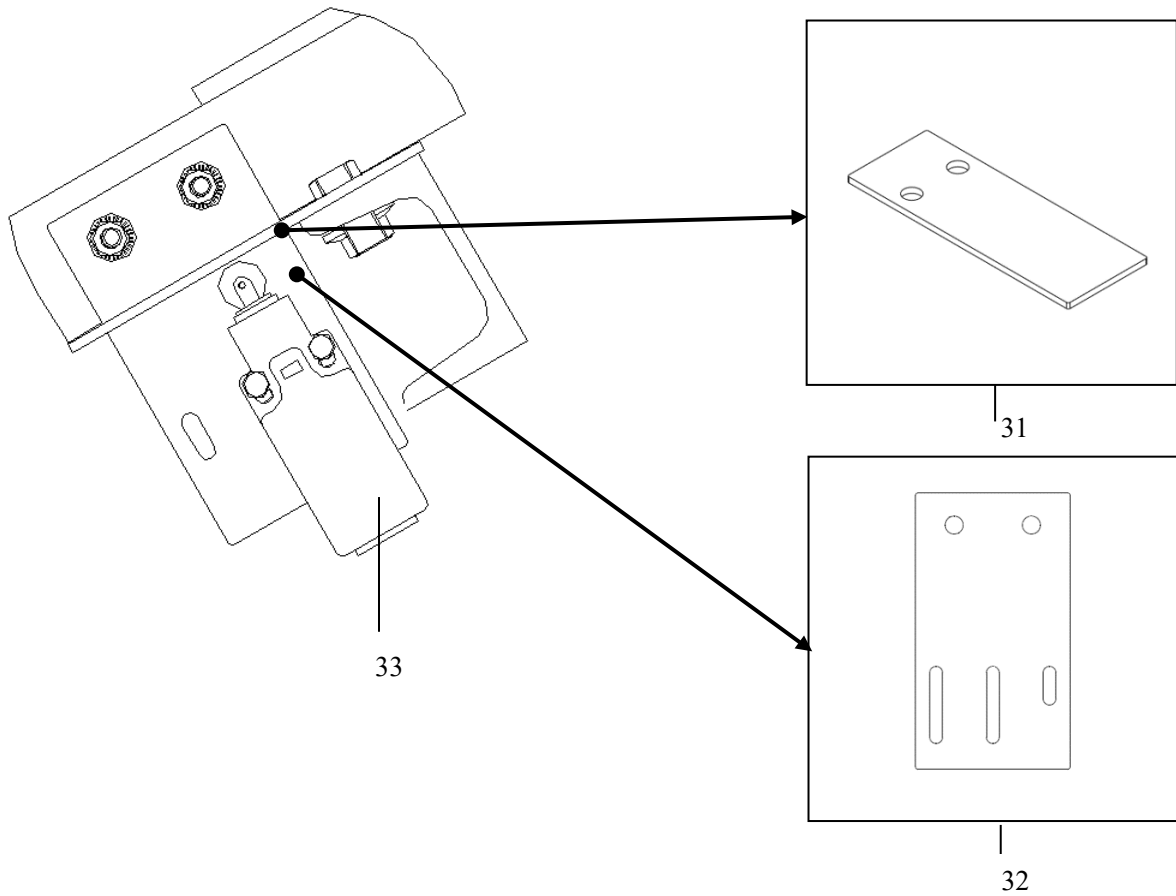
**ESCALATOR  
SAFETY DEVICE**



<b>HE1302B</b>				
<b>REF. No.</b>	<b>PART No.</b>	<b>ENVIRMT</b>	<b>POSITION</b>	<b>DESCRIPTION</b>
31	HAA386BGG1	INDOOR	LOWER LANDING / UPPER LANDING	LIMIT SWITCH BRACKET
	HAA386BGG2	OUTDOOR	LOWER LANDING / UPPER LANDING	
32	HAA386BGF1	INDOOR	LOWER LANDING / UPPER LANDING	
	HAA386BGF2	OUTDOOR	LOWER LANDING / UPPER LANDING	

**Spare Parts Leaflet  
50-HE1302B**

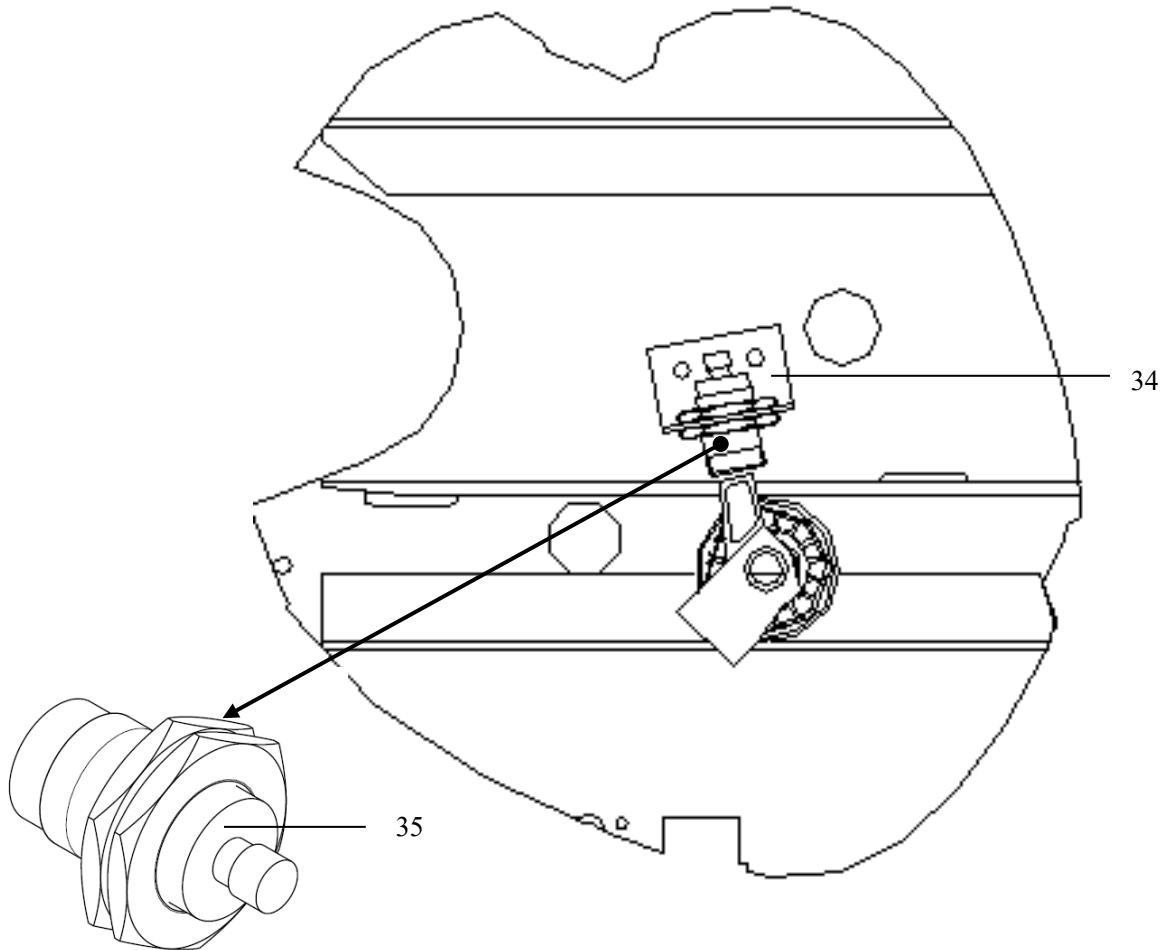
**ESCALATOR  
SAFETY DEVICE**



REF. No.	PART No.	POSITION	DESCRIPTION
33	GBA177HK1	LOWER LANDING / UPPER LANDING	SWITCH

**Spare Parts Leaflet  
50-HE1302B**

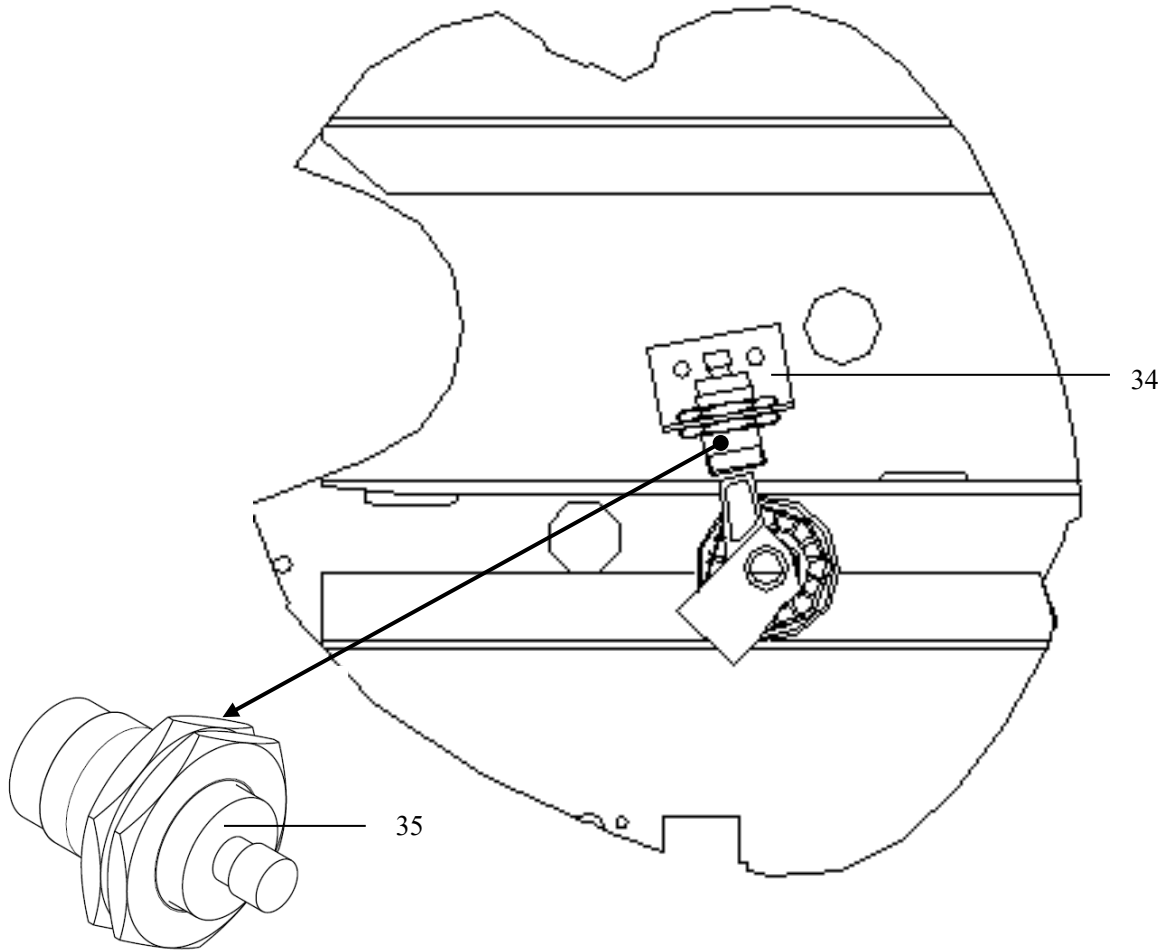
**ESCALATOR  
SAFETY DEVICE**



<b>HE1302B</b>				
<b>REF. No.</b>	<b>PART No.</b>	<b>ENVIRMT</b>	<b>POSITION</b>	<b>DESCRIPTION</b>
34	HAA386ANR1	INDOOR	LOWER LANDING / UPPERLANDING	BRACKET OF MISS STEP DEVICE
	HAA386ANR2	OUTDOOR	LOWER LANDING / UPPER LANDING	

**Spare Parts Leaflet  
50-HE1302B**

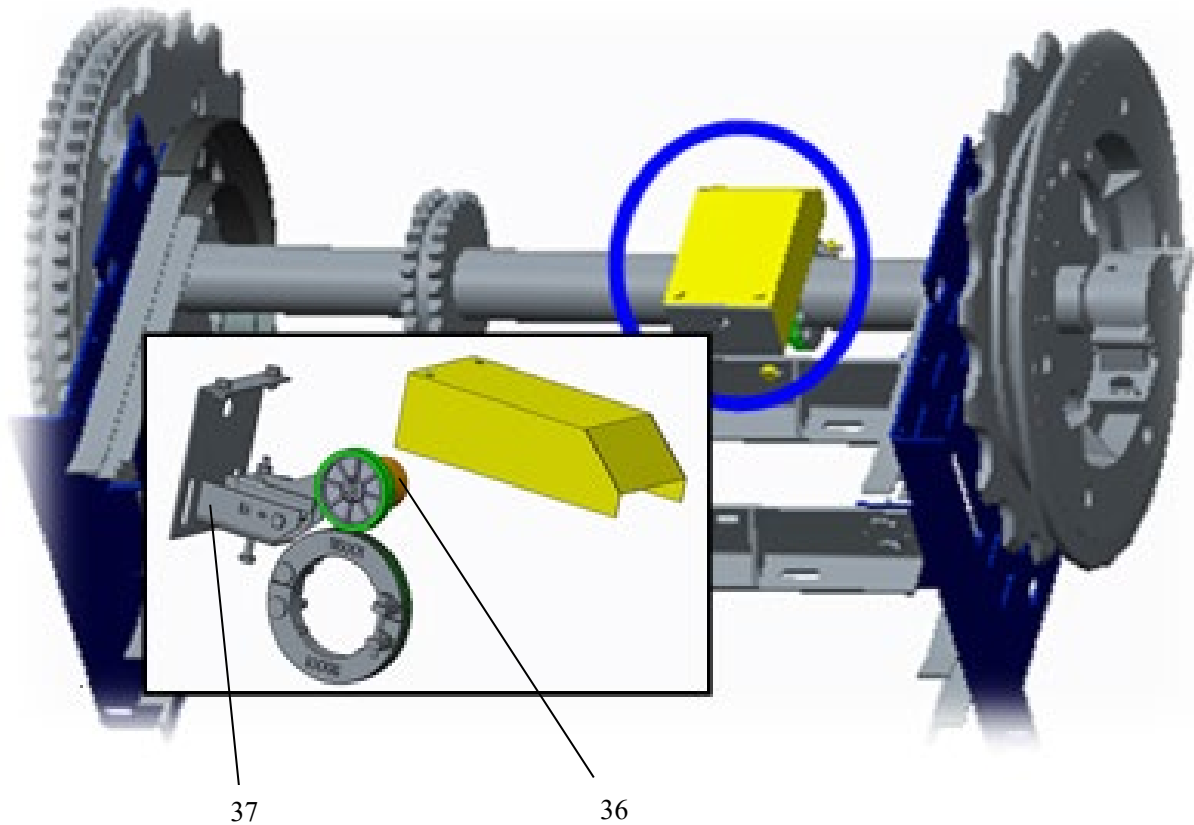
**ESCALATOR  
SAFETY DEVICE**



REF. No.	PART No.	ENVIRMT	POSITION	DESCRIPTION
35	DAA608K5	INDOOR/ OUTDOOR	LOWER LANDING / UPPER LANDING	MSD SENSOR

**Spare Parts Leaflet  
50-HE1302B**

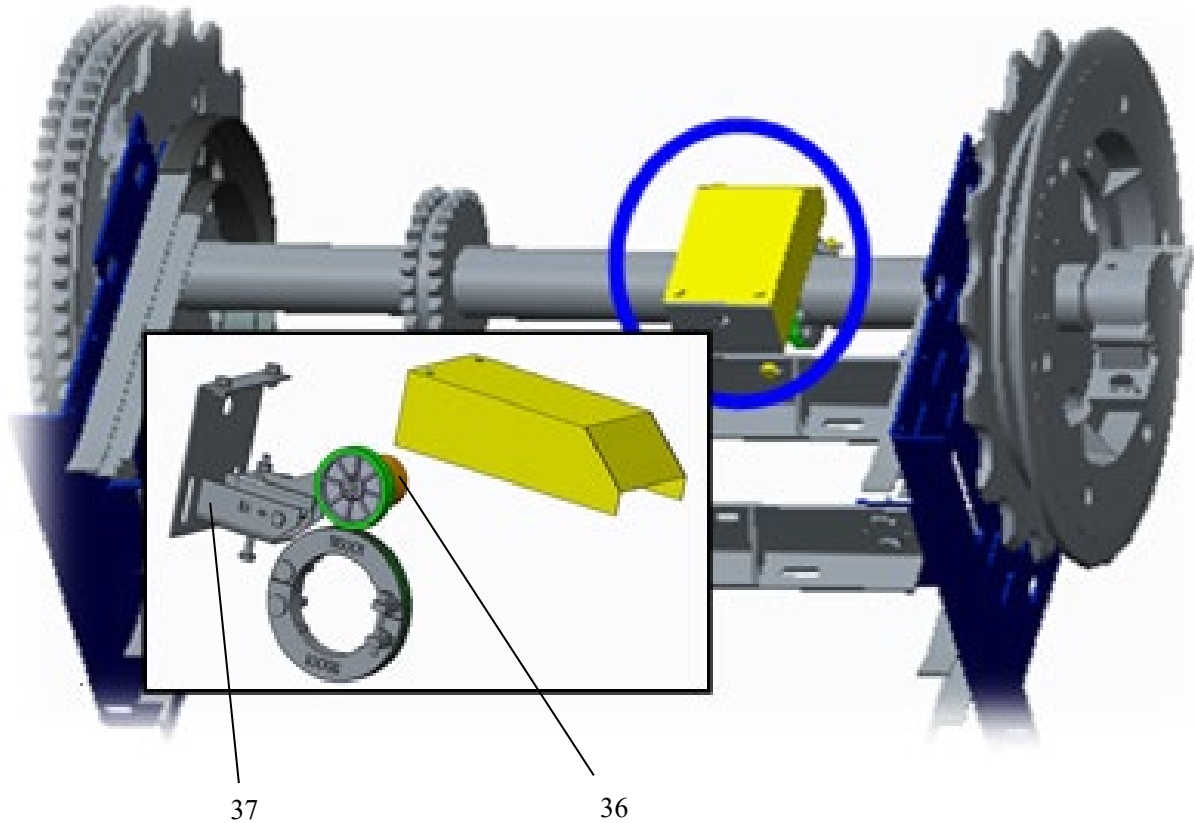
**ESCALATOR  
SAFETY DEVICE**



HE1301E				
REF. No.	PART No.	ENVIRMT	POSITION	DESCRIPTION
36	HAA633E1	INDOOR/ OUTDOOR	UPPER LANDING	ENCODER ASSEMBLY B1

**Spare Parts Leaflet  
50-HE1302B**

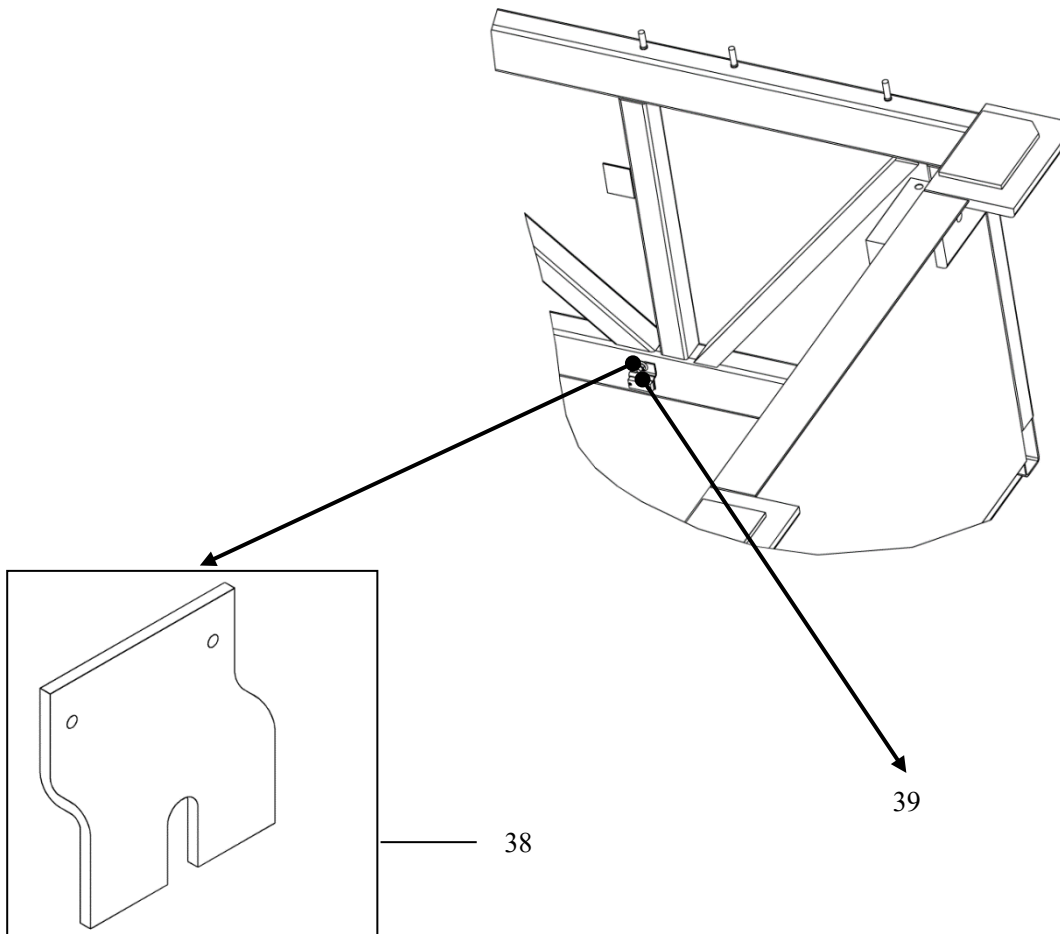
**ESCALATOR  
SAFETY DEVICE**



**HE1302B**

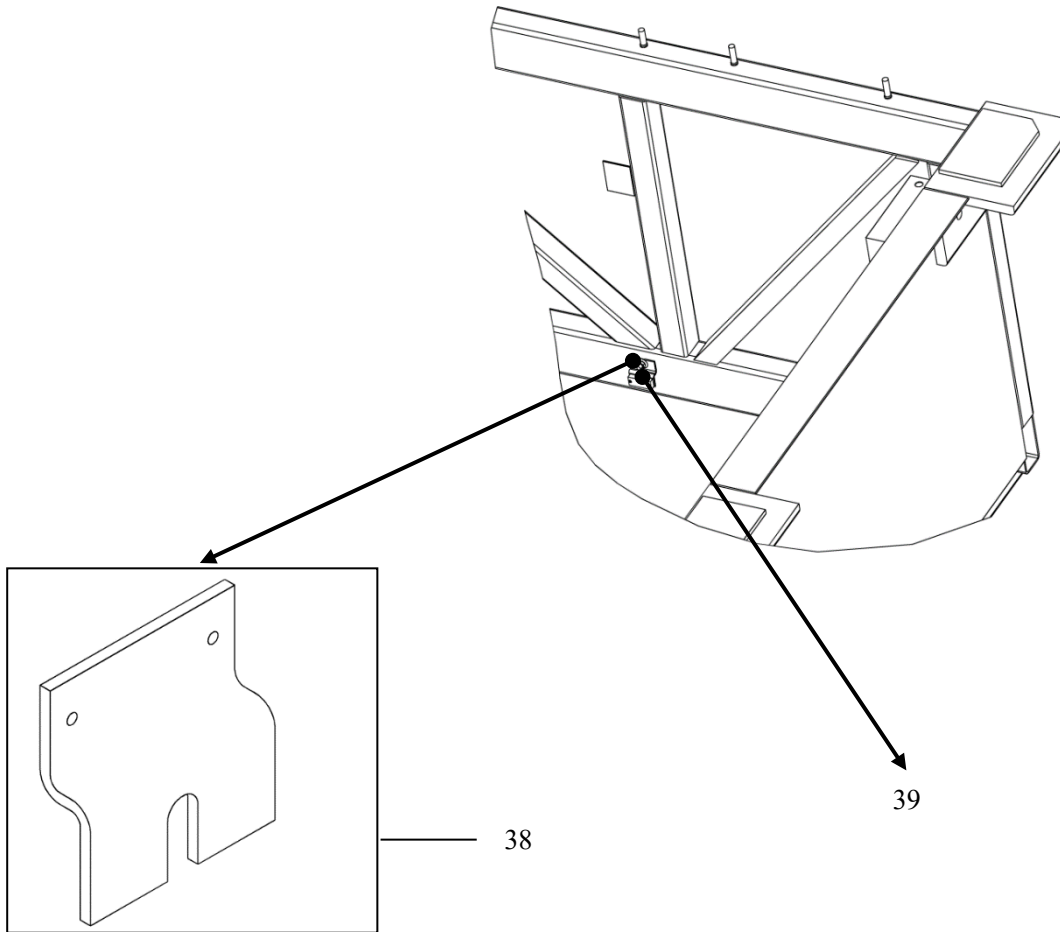
<b>REF. No.</b>	<b>PART No.</b>	<b>ENVIRMT</b>	<b>POSITION</b>	<b>DESCRIPTION</b>
37	HAA316AKB4	INDOOR/ OUTDOOR	UPPER LANDING	BRACKET





**HE1302B**

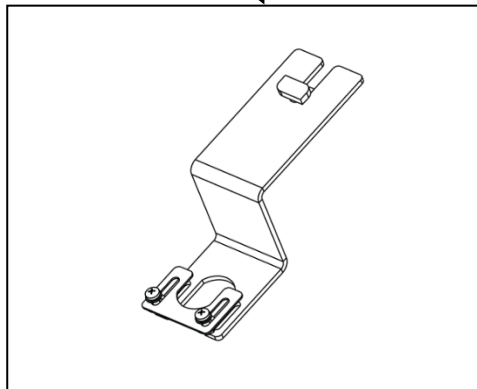
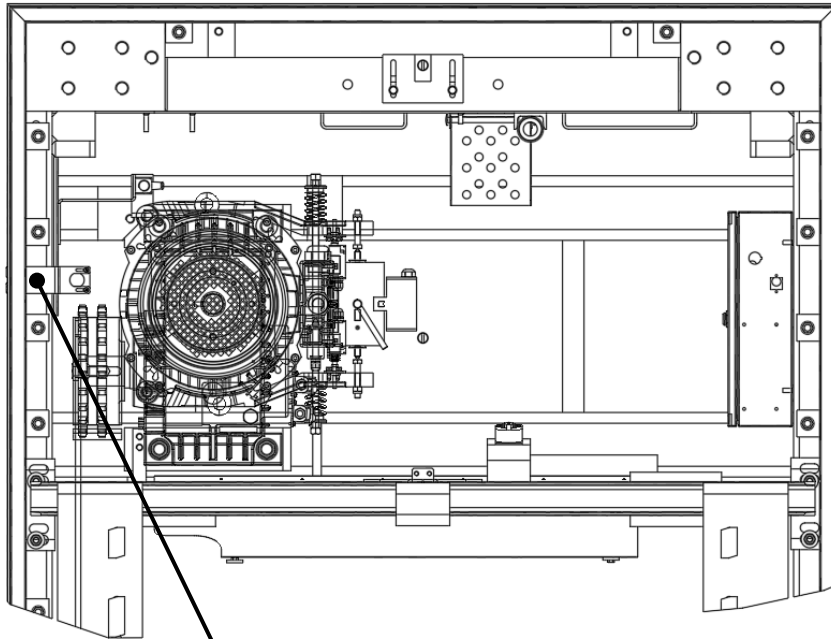
<b>REF. No.</b>	<b>PART No.</b>	<b>DESCRIPTION</b>	<b>REMARK</b>
38	DAA180MP1	BRACKET	



REF. No.	PART No.	DESCRIPTION	REMARK
39	AAA608D22	FLOODING - LIQUID LEVEL SWITCH	B17

**Spare Parts Leaflet  
50-HE1302B**

**ESCALATOR  
SAFETY DEVICE**



40

HE1302B			
REF. No.	PART No.	DESCRIPTION	REMARK
40	HAA386DTG1	DT PORT HOLDER	ONLY FOR NEW YORK