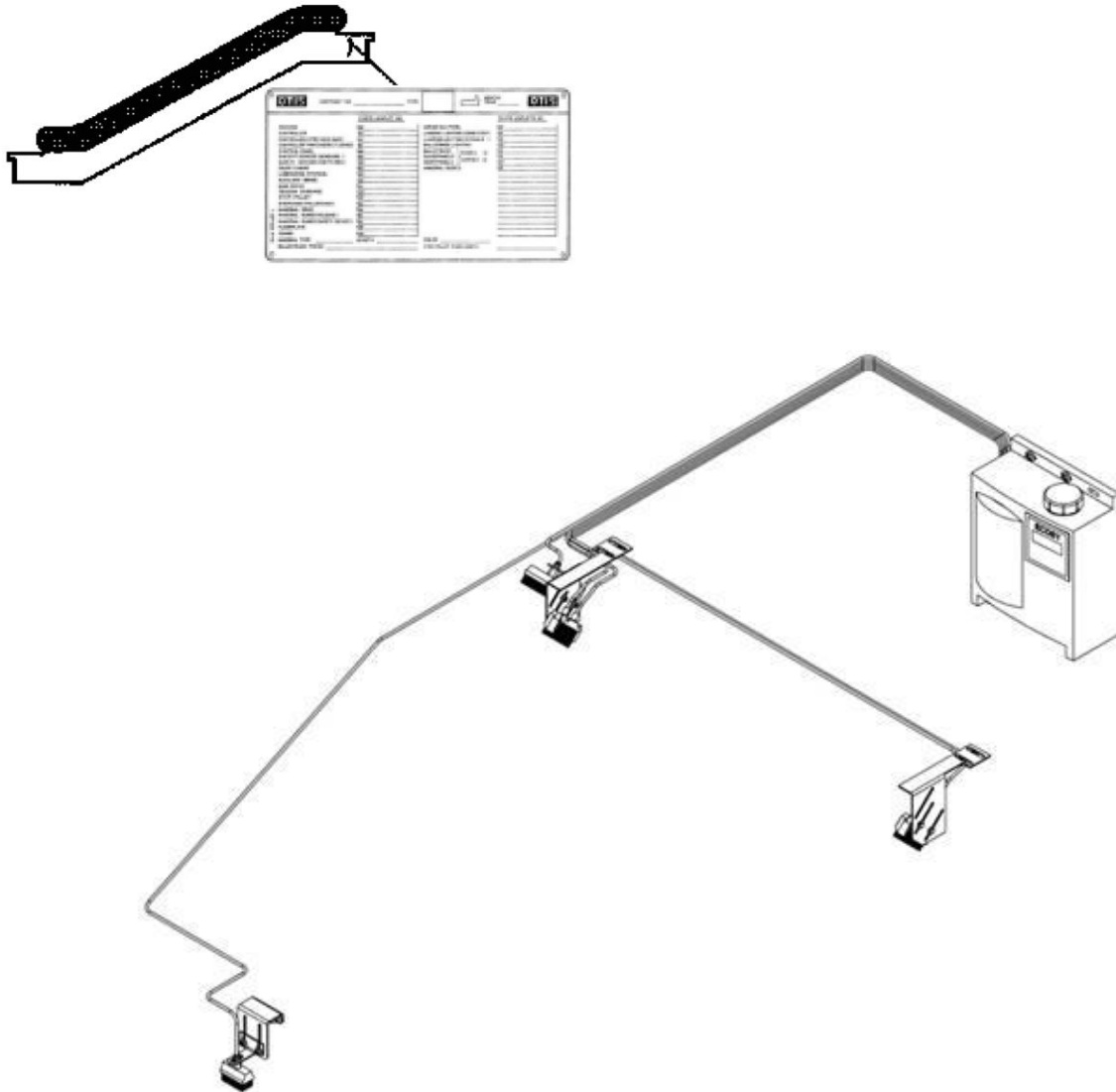


Link_ANSI ESCALATOR
High Efficiency Automatic
Lubrication System

Spare Parts Leaflet

50 – HE1601D

Dec. 16, 2019 / Page 1 of 5



Unpublished Work—© Otis Elevator Co.

OTIS

Safety First!

ESCALATOR ENGINEERING
Otis Elevator Company
SIT GUANGZHOU

50 –HE1601D

History

Leaflet Description

High efficiency automatic lubrication system

Leaflet Revisions

Date Revised	Subject Matter Expert	Reason for Revision
2019-12-16	An Yi	New File

Related Drawings

Drawing No.	Title	Drawing No.	Title
DAA26190B	High efficiency automatic lubrication system		

Related Documents

Document ID	Title
BOM DAA26190B	High efficiency automatic lubrication system
HE1601D	ODS

Subject Matter Expert

Name	Department
An Yi	SIT-HANGZHOU

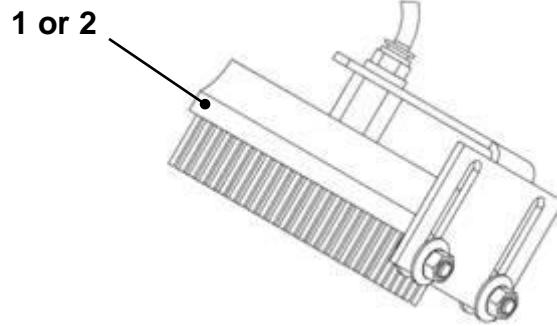
About Spare Parts Leaflets...

This document lists the lowest replaceable units (LRUs) for the standard version of the product. The LRUs are chosen by a team of Otis associates representing engineering and manufacturing.

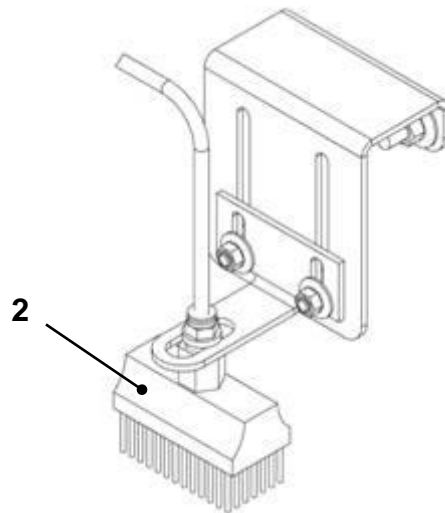
While goal of this document is to make parts identification as easy as possible, the document cannot be all-inclusive. Elevator and escalator contracts classified as “special” or “custom” are not addressed here. For such contracts, please refer to specified information, the contract folder, TIPs, Field Education Articles, Construction Letters, etc. for further information.

If you have any suggestions about this document, please contact the subject matter expert listed on this page.

BURSH FOR MAIN DRIVE CHAIN

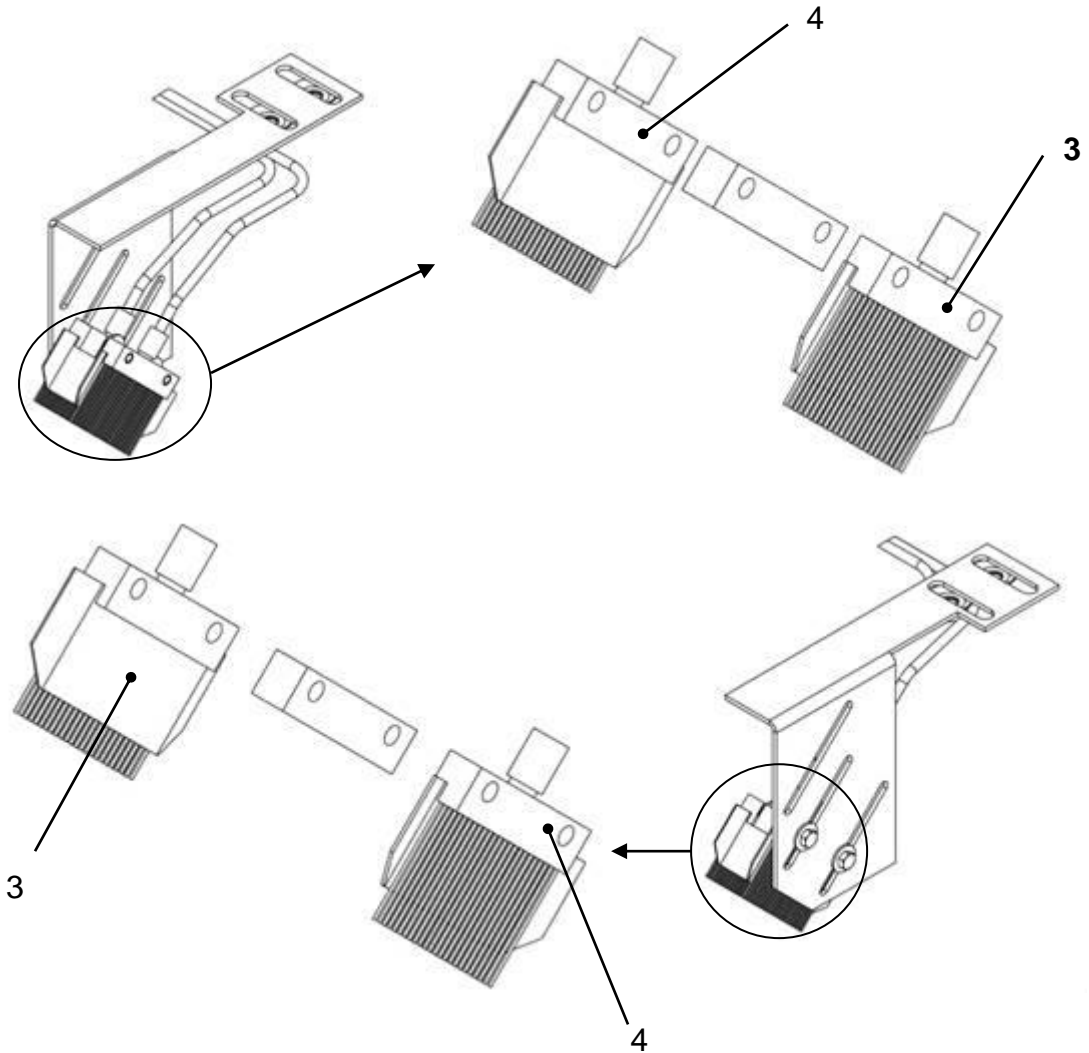


BRUSH FOR HANDRAIL DRIVE CHAIN



DAA26190B			
REF. No.	PART No.	DESCRIPTION	
1	DAA241A1	BRUSH	60 X 30 mm
2	DAA241A2	BRUSH	100 X 30 mm FOR TRIPLEX CHAIN

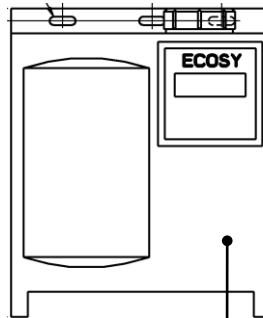
BRUSH FOR STEP CHAIN



DAA26190B			
REF. No.	PART No.	DESCRIPTION	
3	DAA241B1	BRUSH	WITH 2-M6 HOLES
4	DAA241B2	BRUSH	WITH 2-Φ 6.5 HOLES



5



6

DAA26190B		
REF. No.	PART No.	DESCRIPTION
5	DAA518A2-P01	OTIS OIL #55 (KLUBER HOTEMP 2000) 5 LITRES
6	DAA711F1	PUMP WITH IMPULSE SENSOR