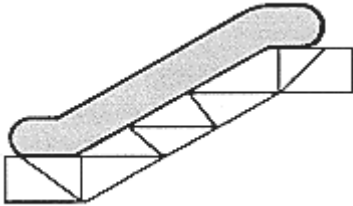


SPL 51-9703EE - Main Drive Otis 506 Slimline

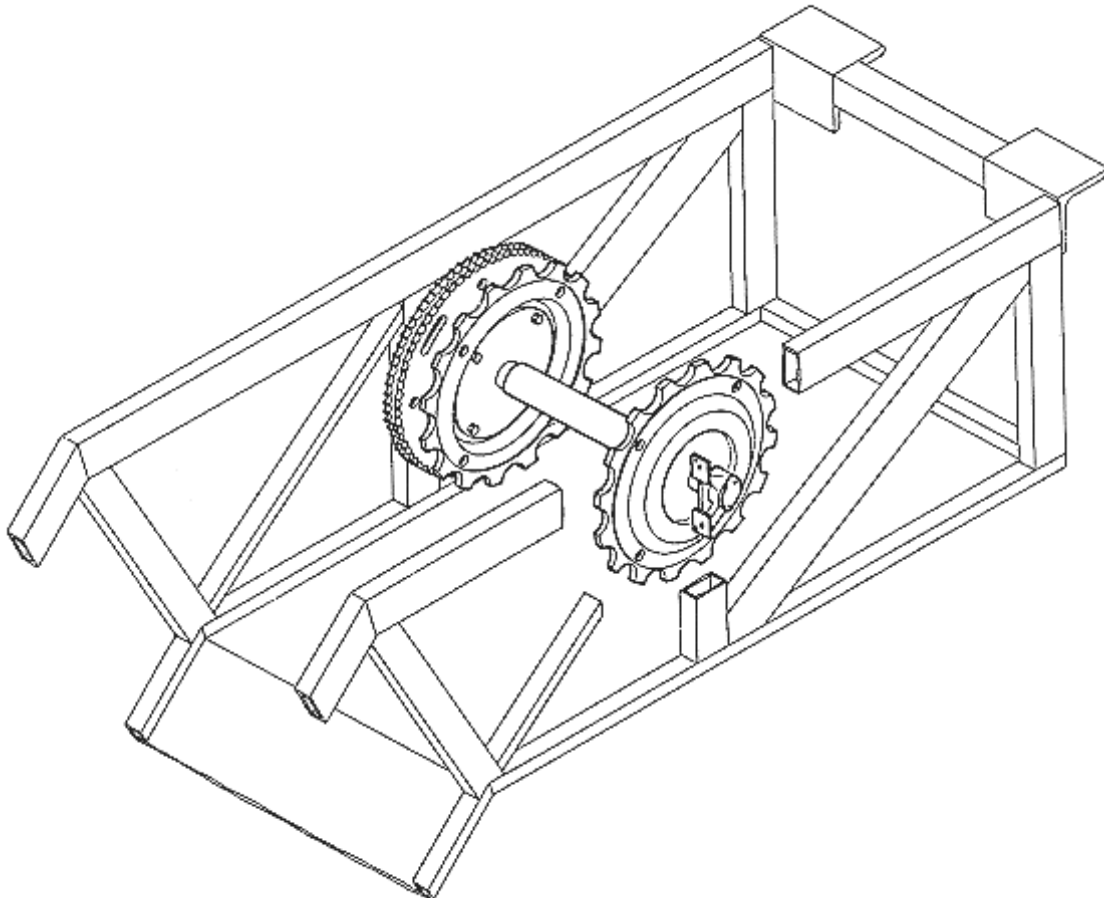
Unpublished Work - © Otis Elevator Company. Any unauthorized reproduction, disclosure, or distribution of copies or content by any person of any portion of this work may be a violation of Copyright Law of the United States of America. All rights reserved.

April 1990

Page 1

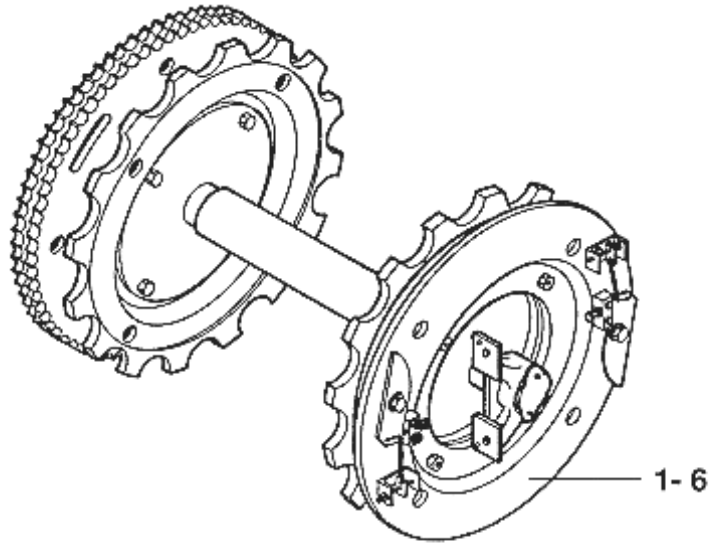



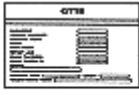
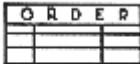
CONTRACT NO. _____		TYPE _____		DATE _____		YEAR _____		 OTIS ELEVATOR COMPANY OTIS ELEVATOR	
CONTROLLED	<input type="checkbox"/>	TRIPON CARRIAGE	<input type="checkbox"/>	STOP	<input type="checkbox"/>	STOP	<input type="checkbox"/>	STOP	<input type="checkbox"/>
QUICK CHECK	<input type="checkbox"/>	STEP	<input type="checkbox"/>	STEP CHAIN	<input type="checkbox"/>	STEP CHAIN	<input type="checkbox"/>	STEP CHAIN	<input type="checkbox"/>
INSPECTION DEVICE	<input type="checkbox"/>	HANDRAIL ORVE	<input type="checkbox"/>	HANDRAIL ORVE	<input type="checkbox"/>	HANDRAIL ORVE	<input type="checkbox"/>	HANDRAIL ORVE	<input type="checkbox"/>
STOP BUTTON	<input type="checkbox"/>	HANDRAIL ORVE	<input type="checkbox"/>	HANDRAIL ORVE	<input type="checkbox"/>	HANDRAIL ORVE	<input type="checkbox"/>	HANDRAIL ORVE	<input type="checkbox"/>
LUBRICATION SYSTEM	<input type="checkbox"/>	FLOORPLATE LOW LOD	<input type="checkbox"/>	FLOORPLATE LOW LOD	<input type="checkbox"/>	FLOORPLATE LOW LOD	<input type="checkbox"/>	FLOORPLATE LOW LOD	<input type="checkbox"/>
DRIVE CO-HAND	<input type="checkbox"/>	FLOORPLATE LOW LOD	<input type="checkbox"/>	FLOORPLATE LOW LOD	<input type="checkbox"/>	FLOORPLATE LOW LOD	<input type="checkbox"/>	FLOORPLATE LOW LOD	<input type="checkbox"/>
MAIN ORVE	<input type="checkbox"/>	FLUORESCENT LAMPS	<input type="checkbox"/>	FLUORESCENT LAMPS	<input type="checkbox"/>	FLUORESCENT LAMPS	<input type="checkbox"/>	FLUORESCENT LAMPS	<input type="checkbox"/>
MAIN OR SWIFT DRIVE	<input type="checkbox"/>	FLUORESCENT LAMPS	<input type="checkbox"/>	FLUORESCENT LAMPS	<input type="checkbox"/>	FLUORESCENT LAMPS	<input type="checkbox"/>	FLUORESCENT LAMPS	<input type="checkbox"/>
DOWNDRIVE LIGHTS	<input type="checkbox"/>	FLUORESCENT LAMPS	<input type="checkbox"/>	FLUORESCENT LAMPS	<input type="checkbox"/>	FLUORESCENT LAMPS	<input type="checkbox"/>	FLUORESCENT LAMPS	<input type="checkbox"/>
HANDRAIL TYPE _____		LENGTH _____		MIN COLOR _____		MIN COLOR _____		MIN COLOR _____	
BALLSTRAD FIBER _____		BALLSTRAD FIBER _____		BALLSTRAD FIBER _____		BALLSTRAD FIBER _____		BALLSTRAD FIBER _____	



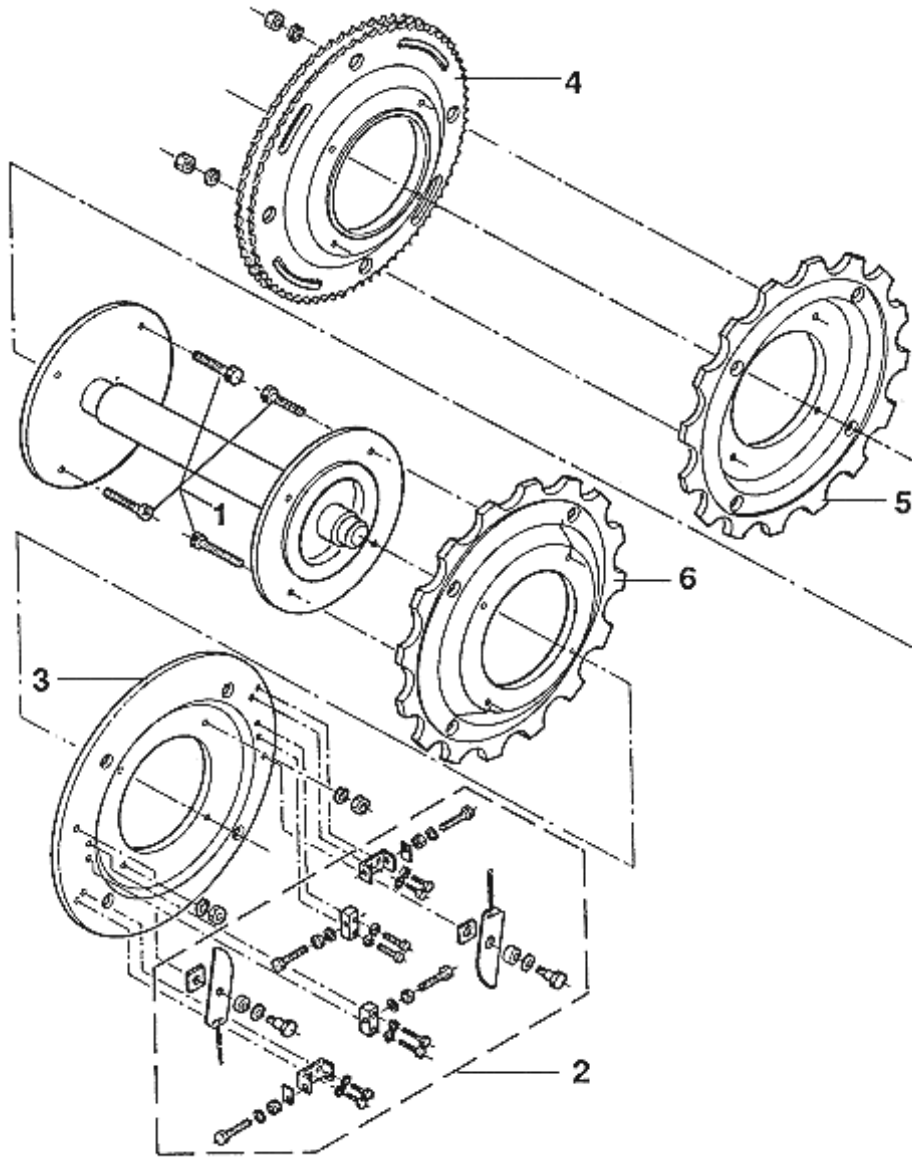
SPL 51-9703EE - Main Drive Otis 506 Slimline

Page 2





~~9703EE1~~
~~9703EE2~~
~~9703EE5~~
~~9703EE6~~
~~9703EE9~~
~~9703EE10~~

9703EE3
9703EE4
9703EE7
9703EE8
9703EE11
9703EE12

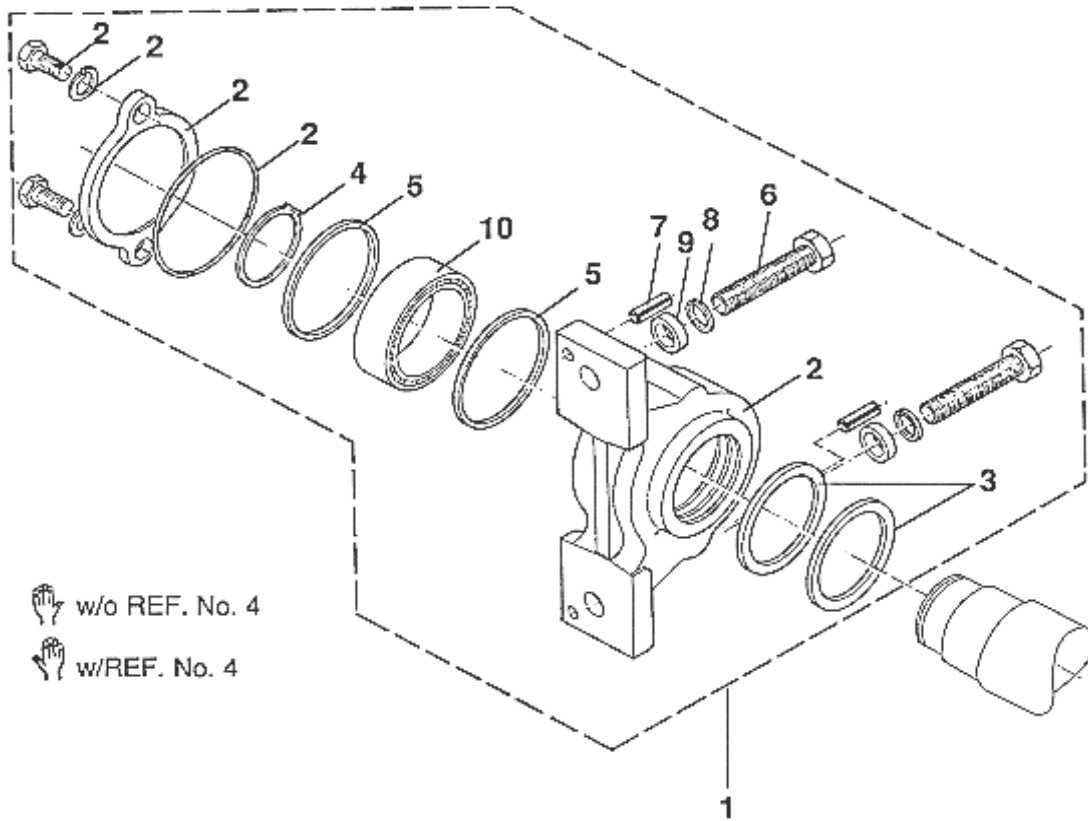
VINTAGE G 01		DESCRIPTION	
REF. No.	PART or ML		TYPE
1	9703EE3	Main Drive Complete with Brake (Wedge Type)	600
2	9703EE4	Main Drive Complete w/o Brake	
3	9703EE7	Main Drive Complete with Brake (Wedge Type)	800
4	9703EE8	Main Drive Complete w/o Brake	
5	9703EE11	Main Drive Complete with Brake (Wedge Type)	1000
6	9703EE12	Main Drive Complete w/o Brake	



VINTAGE G 01		
REF. No.	PART or ML	DESCRIPTION
1	GO2215H11	Hardware for fastening
2	GO2215H12	Brake Lever Complete
3	GO196AA1	Brake Disc
4	GO195JW1	Sprocket
5	GO195JC4	Sprocket, 16 Teeth
6	GO195JV1	Sprocket, 16 Teeth

SPL 51-9703EE - Main Drive Otis 506 Slimline

Page 4



VINTAGE G 01				
REF. No.	PART or ML	DESCRIPTION		
1	GO2215H13	Bearing Complete & Hardware for fastening		
2	GO396AT2	Housing Complete		
3	GO2215H17	Fastening	Felt Ring, FS260 SKF	
4			Retaining Ring, 55x2 DIN471	
5		Ring, FRB6/100PST44-2		
6		Screw, M16x DIN933 8.8 (16x65)		
7		Parts	Groove Pins, 10x DIN1481 55Si7 (10x30)	
8			Spring Washer, A16 DIN127	
9			Washer, A18 DIN7989	
10		L0209G8	Roller Bearing, 22211CJ	