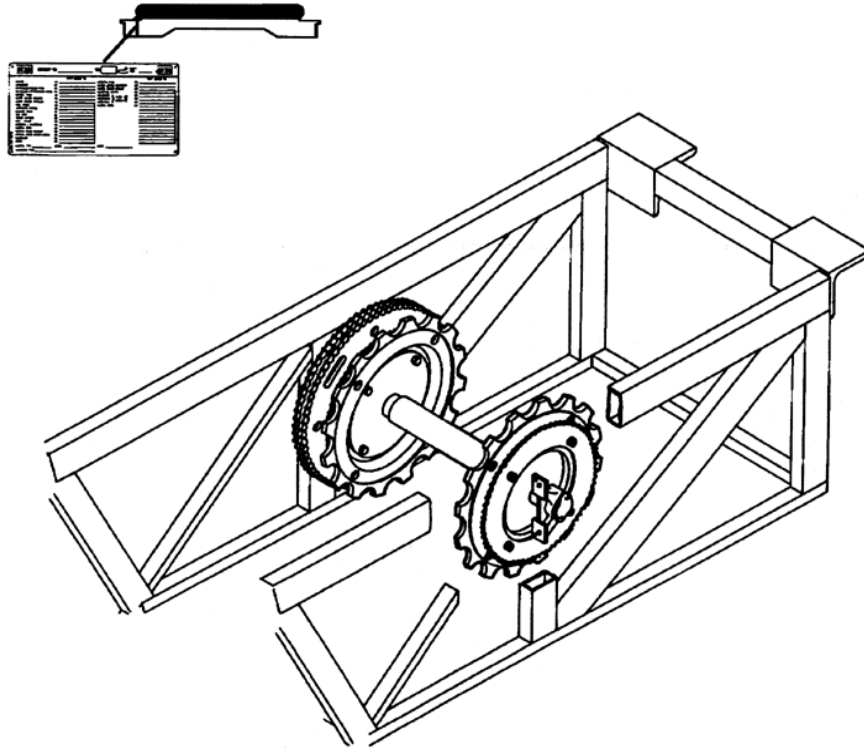


# SPL 51-9703F - Trav-O-Lator Main Drive 606

Unpublished Work - © Otis Elevator Company. Any unauthorized reproduction, disclosure, or distribution of copies or content by any person of any portion of this work may be a violation of Copyright Law of the United States of America. All rights reserved.

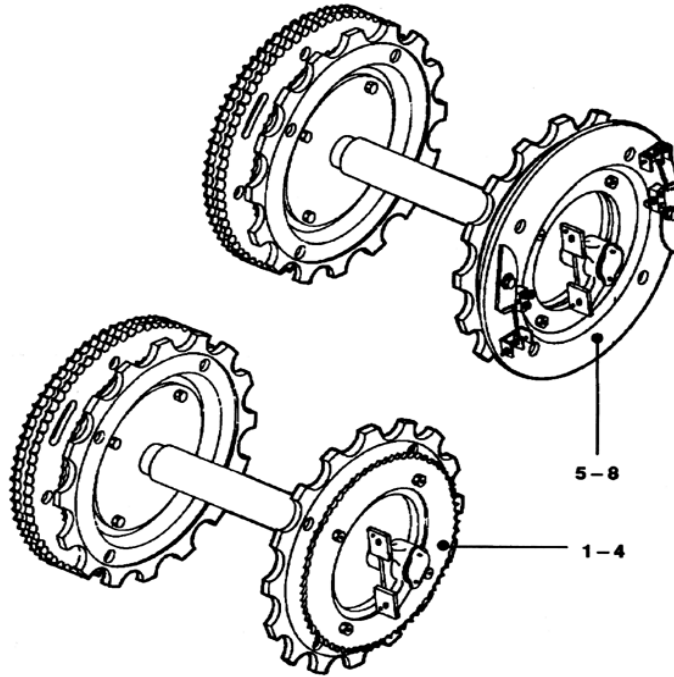
November 1994

Page 1



SPL 51-9703F - Trav-O-Lator Main Drive 606

Page 2 - Trav-O-Lator Main Drive 606

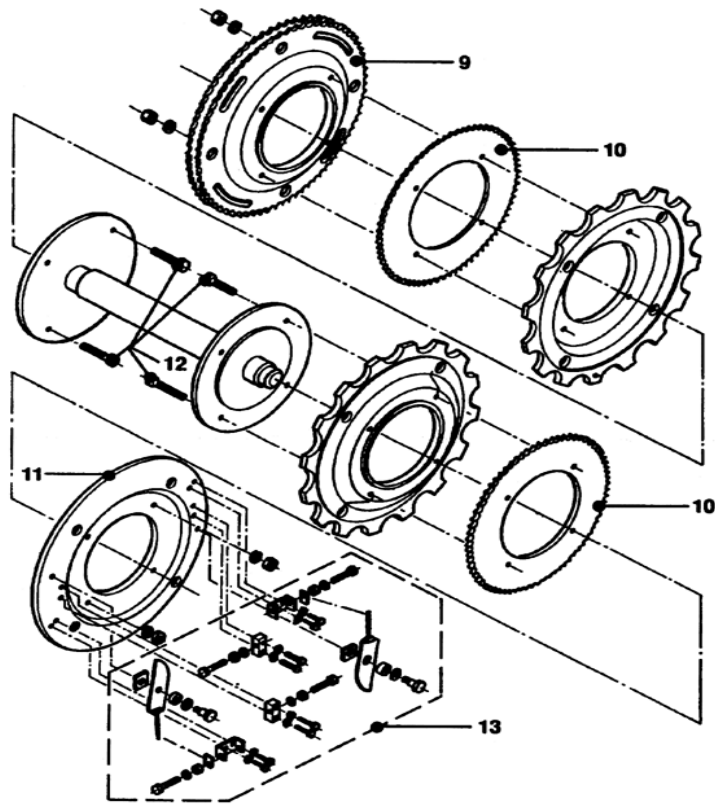


Page 2 - Trav-O-Lator Main Drive 606

VINTAGE G.01			
REF. No.	PART No.	DESCRIPTION	TYPE
1	9703F21	Main Drive compl. w/o brake	600
2	9703F22	Main Drive compl. w/o brake	800
3	9703F23	Main Drive compl. w/o brake	900
4	9703F24	Main Drive compl. w/o brake	1000
5	9703F25	Main Drive compl. w/ brake	600
6	9703F26	Main Drive compl. w/ brake	800
7	9703F27	Main Drive compl. w/ brake	900
8	9703F28	Main Drive compl. w/ brake	1000

SPL 51-9703F - Trav-O-Lator Main Drive 606

Page 3 - Trav-O-Lator Main Drive 606

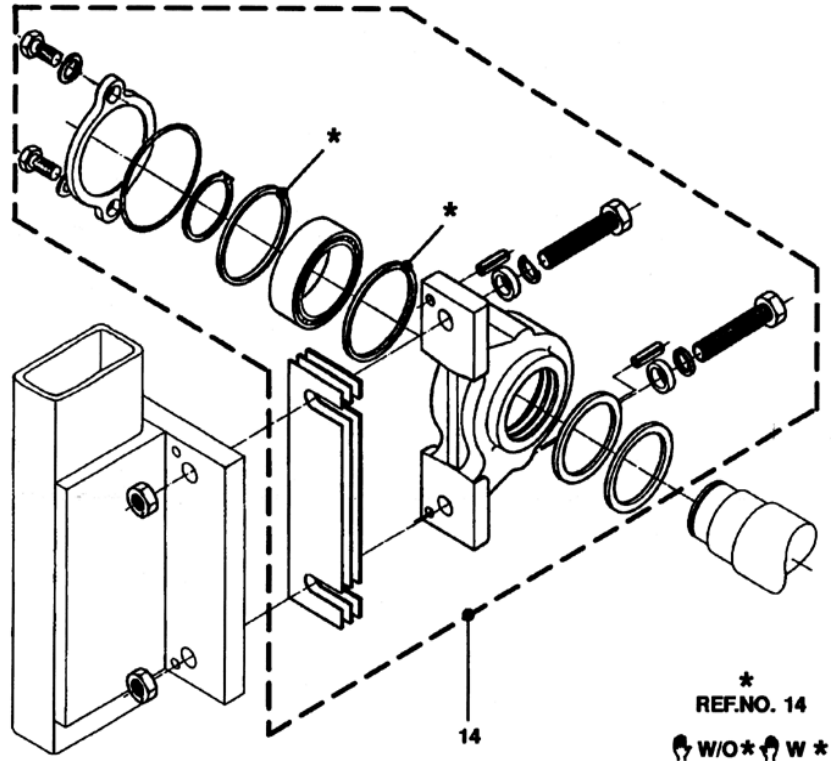


Page 3 - Trav-O-Lator Main Drive 606

VINTAGE G.01		
REF. No.	PART No.	DESCRIPTION
9	GO195JE1	Sprocket
10	GO195JD1	Sprocket
11	GO196H1	Brake Disc
12	GO2215H11	Hardware
13	GO2215H12	Brake Lever compl.

SPL 51-9703F - Trav-O-Lator Main Drive 606

Page 4 - Trav-O-Lator Main Drive 606



Page 4 - Trav-O-Lator Main Drive 606

VINTAGE G.01		
REF. No.	PART No.	DESCRIPTION
14	GO2215H10*	Bearing compl. & Hardware