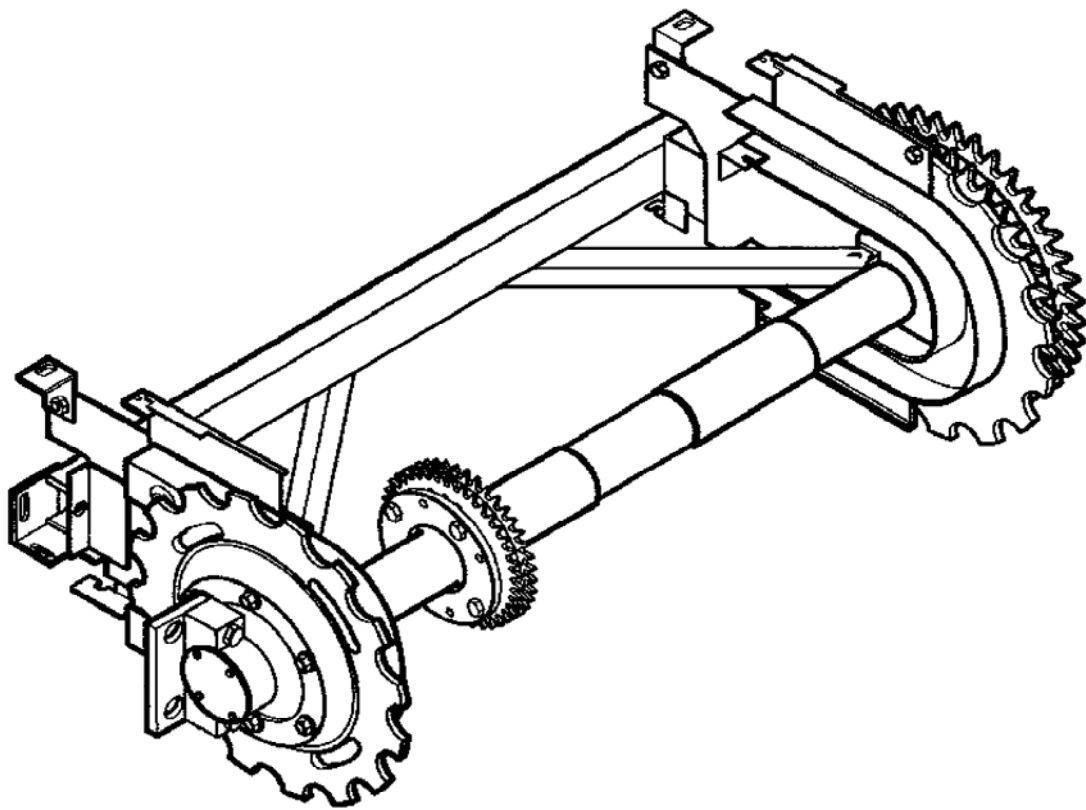


OCE521 Escalator
TG(U) Assembly

Spare Parts Leaflet

51-ASA03C380

January 18, 2007 / Page 1 of 3



Unpublished Work—© Otis Elevator Co.; 2007

OTIS

Safety First!

Escalator Department
Otis Elevator Company
Changwon, Korea

Leaflet Description

OCE521 escalator upper terminal gear assembly.

Leaflet Revisions

Date Revised	Subject Matter Expert	Reason for Revision
Mar. 08, 2006	---	Release
Jan. 18, 2007	---	Addition of bearing.

Related Drawings

Drawing No.	Title	Drawing No.	Title
ASA00A059	TG(U) Assembly		

Related Documents

Document ID	Title
BOM	Title

Subject Matter Expert

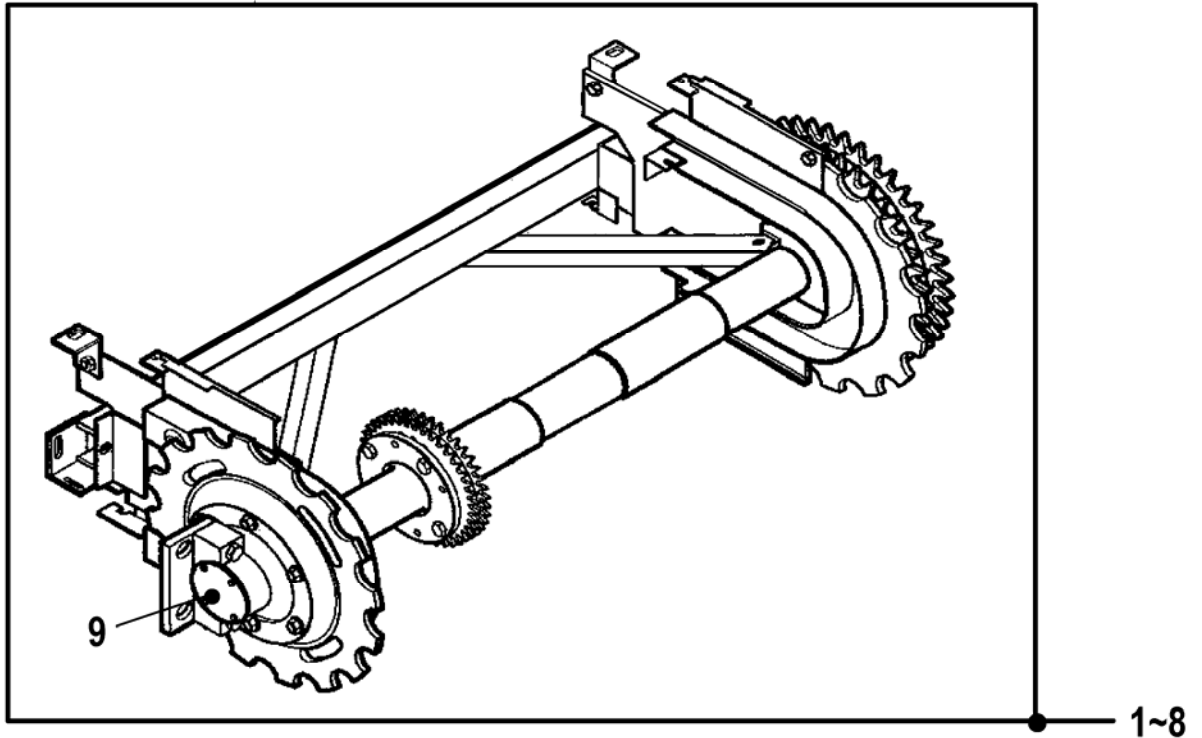
Name	Department
---	---

About Spare Parts Leaflets...

This document lists the lowest replaceable units (LRUs) for the standard version of the product. The LRUs are chosen by a team of Otis associates representing engineering and manufacturing.

While goal of this document is to make parts identification as easy as possible, the document cannot be all-inclusive. Elevator and escalator contracts classified as "special" or "custom" are not addressed here. For such contracts, please refer to specified information, the contract folder, TIPs, Field Education Articles, Construction Letters, etc. for further information.

If you have any suggestions about this document, please contact the subject matter expert listed on this page.



W/O VINTAGE

REF. No.	PART No.	DESCRIPTION	TYPE
1	ASA00A061A	Riser = ~4500	48"
2	ASA00A061B	Riser = 4550~	
3	ASA00A061C	Riser = ~4500	32"
4	ASA00A061D	Riser = 4550~	
5	ASA00A061E	Riser = ~4500, for Aux Brake	48"
6	ASA00A061F	Riser = 4550~, for Aux Brake	
7	ASA00A061G	Riser = ~4500, for Aux Brake	32"
8	ASA00A061H	Riser = 4550~, for Aux Brake	
9	38301189	Bearing, Roller 22210B	---