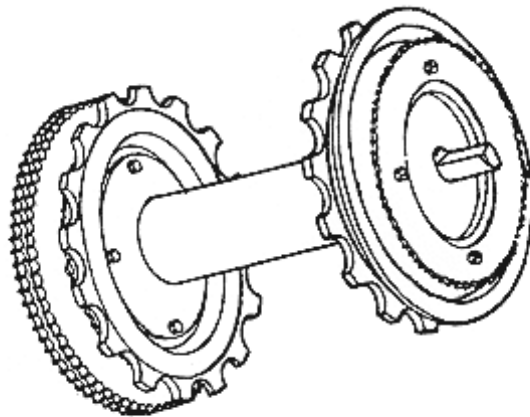
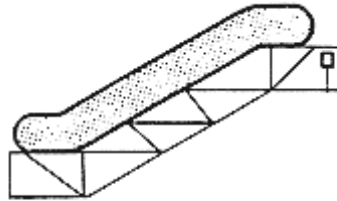


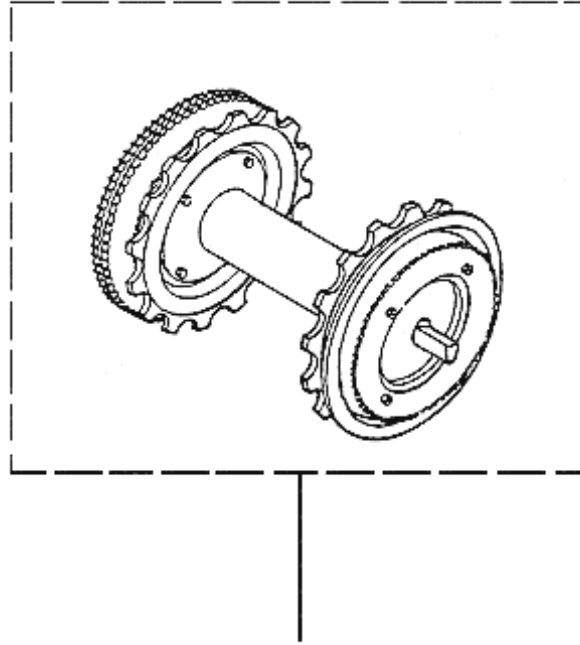
SPL 51-BAA26170A - Main Drive UBSL 600/1000

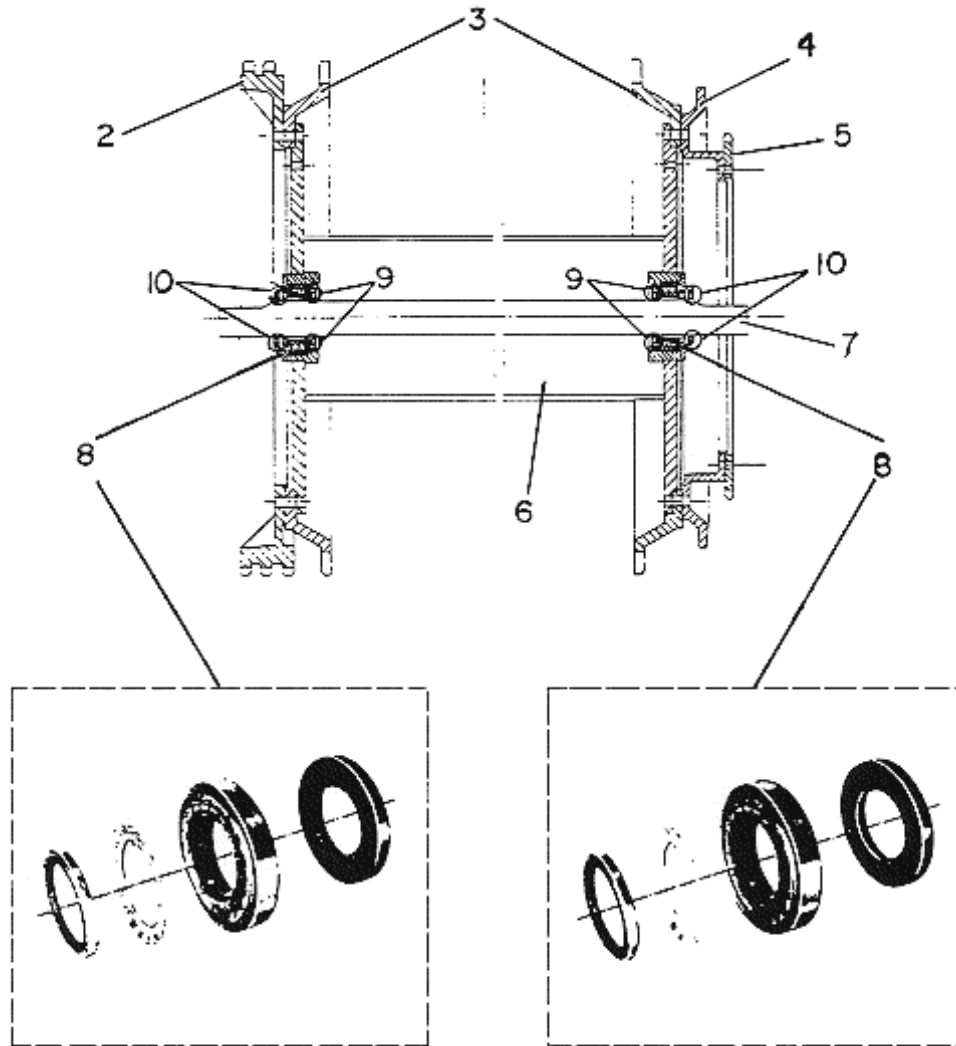
Unpublished Work - © Otis Elevator Company. Any unauthorized reproduction, disclosure, or distribution of copies or content by any person of any portion of this work may be a violation of Copyright Law of the United States of America. All rights reserved.

July 1993

Page 1







SPL 51-BAA26170A - Main Drive UBSL 600/1000

Page 4

REF. NUM.	DESCRIPTION	PART OR ML
1	MAIN DRIVE	BAA26170A
2	MAIN SPROCKET	GO195BP
3	STEP CHAIN SPROCKET	GO195BN1
4	BRAKE DISC	GO196C
5	SPROCKET	GO195BR1
6	DRIVE	BXGO494AS
7	DRIVE	BAA502G
8	BARREL BEARING 222/3C3HLK/H3/3 DIN 635	48XX036500
9	RETENTION B60x80x8 DIN 3760	47XX180200
10	RETENTION	GO182C1