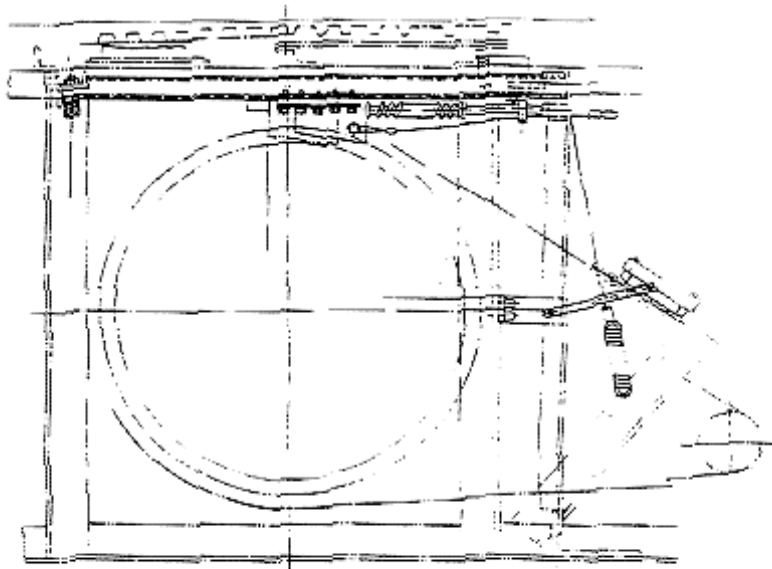
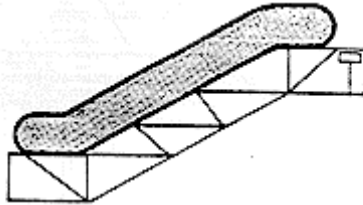


SPL 51-BAA26220F - Emergency Brake UBSL 600/1000

Unpublished Work - © Otis Elevator Company. Any unauthorized reproduction, disclosure, or distribution of copies or content by any person of any portion of this work may be a violation of Copyright Law of the United States of America. All rights reserved.

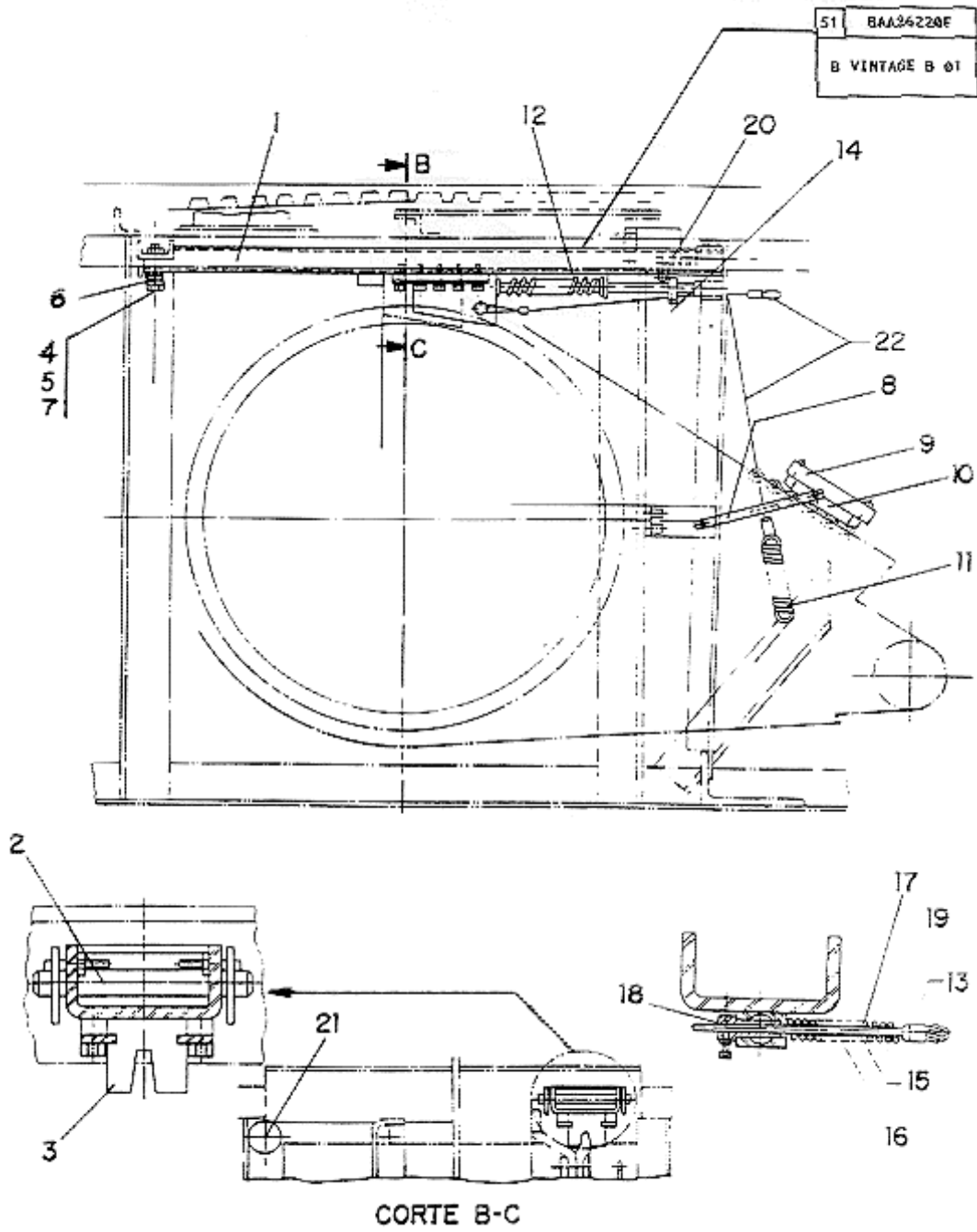
July 1993

Page 1



SPL 51-BAA26220F - Emergency Brake UBSL 600/1000

Page 2



SPL 51-BAA26220F - Emergency Brake UBSL 600/1000

Page 3

REF. NUM.	DESCRIPTION	PART OR ML
1	CHANNEL	GO333FG1
2	PIN	BO82C1
3	SHOE	BAA415A1
4	BOLT PFFS M8x50 DIN933	40SD185060
5	ROD	GO96AV1
6	SPRING	GO90AK1
7	WASHER FE PE R11.5 DIN440	03PB184000
8	CLEVIS	GO338AA1
9	BAR	GO299CX1
10	SHOE	GX237AW1
11	SPRING	GO91D1
12	SPRING	G090T1
13	CLAMP	336GG1
14	CAM	GO327BM1

SPL 51-BAA26220F - Emergency Brake UBSL 600/1000

Page 4

REF. NUM.	DESCRIPTION	PART OR ML
15	PIPE	GO377CN1
16	PIPE	GO377CX1
17	SPRING	GO90S1
18	SLEEVE	GO465AL1
19	WASHER	130R5
20	LIMIT SWITCH	BAA177J1
21	SHEAVE	BO265P3
22	CABLE BO3 1/8"	06XX030100