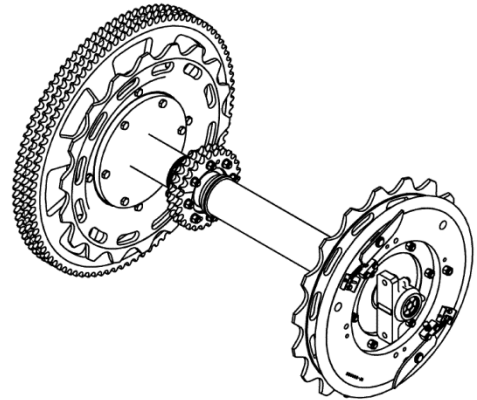
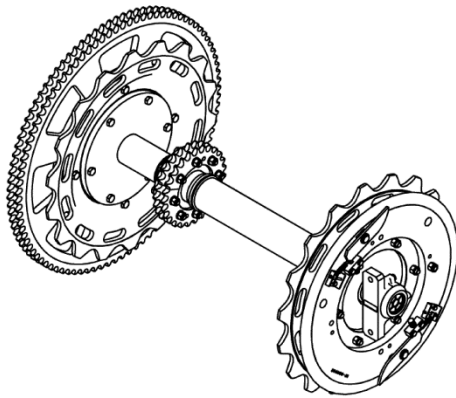
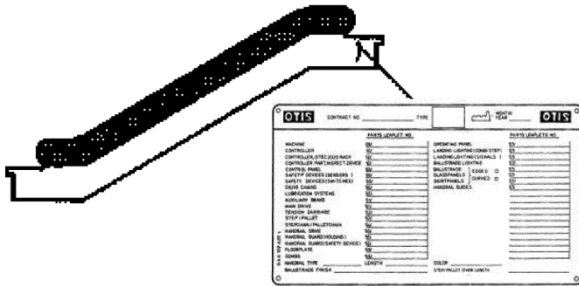


515NPE / 512NCE-ANSI Escalator Main Drive

Spare Parts Leaflet

51-DAA26170E

March 31, 2014 / Page 1 of 8



OTIS

SERVICE ENGINEERING
Otis Elevator Company
SIT GUANGZHOU

Unpublished Work—© Otis Elevator Co., 2014

Leaflet Description

Main drive for 515NPE / 512NCE-ANSI

Leaflet Revisions

Date Revised	Subject Matter Expert	Reason for Revision
2013-03-04	Wan, Ji An	Original Document
2014-03-31	Cao, Qizhang	1. 512NCE or 508NCE corrected to 515NPE / 512NCE-ANSI. 2. Related document ODS GAA27076FS added on P2. 3. REF. No. 4,5,6,13,14,15: description "Rise ≤12m" added; REF. No. 7,8,9,16,17,18: description "Rise ≤15m added. REF. No. 13,14,15,16,17,18: description "indoor" corrected to "outdoor". 4. REF. No. on the sketch of P6 corrected; REF. No. 22, 23, 24 description corrected to "outdoor". 5. GO472BA1 changed to GO472BA2, GAA195NH1 changed to DAA195BB1, LO209G9 changed to 22212C, & description added on P7.

Related Drawings

Drawing No.	Title	Drawing No.	Title
DAA26170E	Main Drive		

Related Documents

Document ID	Title
BOM DAA26170E	Main Drive
ODS GAA27076FS	Main Drive

Subject Matter Expert

Name	Department
Cao, Quizhang	SIT-GUANGZHOU

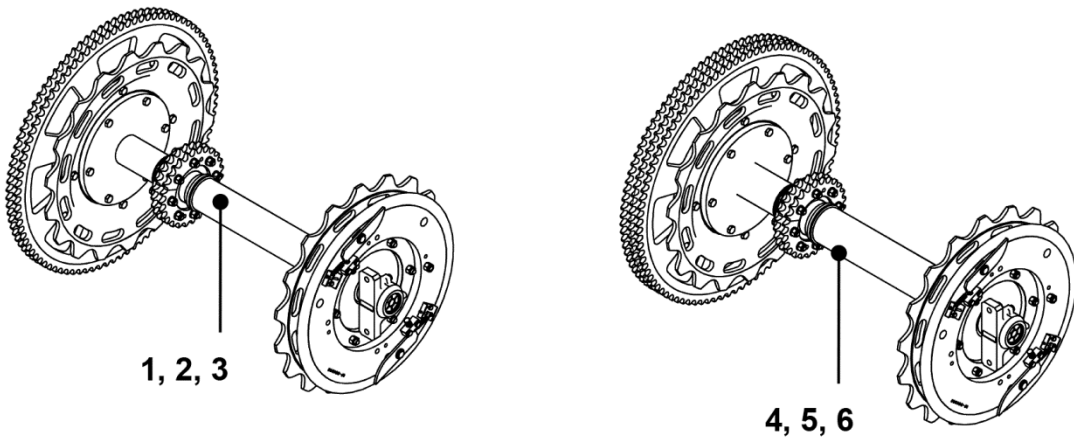
About Spare Parts Leaflets...

This document lists the lowest replaceable units (LRUs) for the standard version of the product. The LRUs are chosen by a team of Otis associates representing engineering and manufacturing.

While goal of this document is to make parts identification as easy as possible, the document cannot be all-inclusive. Elevator and escalator contracts classified as "special" or "custom" are not addressed here. For such contracts, please refer to specified information, the contract folder, TIPS, Field Education Articles, Construction Letters, etc. for further information.

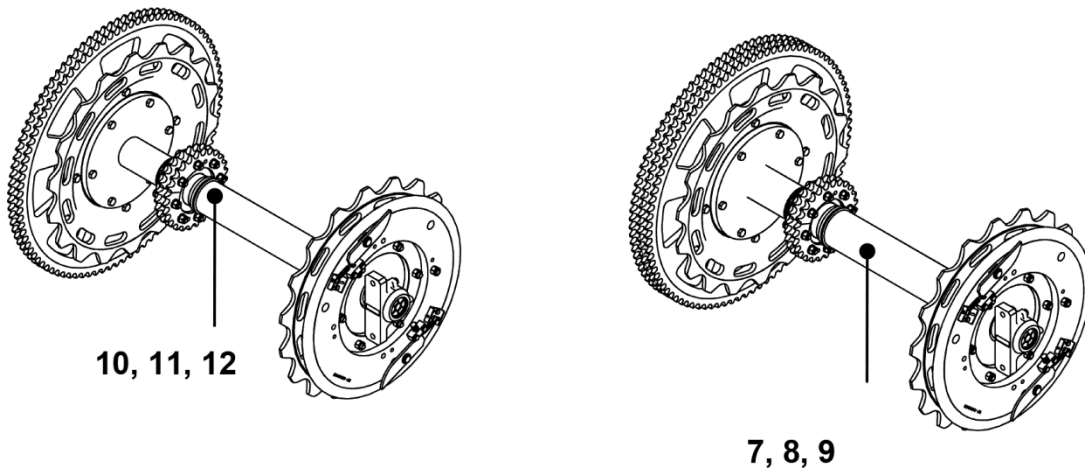
If you have any suggestions about this document, please contact the subject matter expert listed on this page.

Escalator Drive



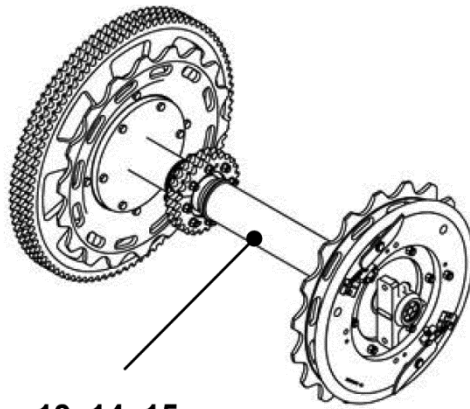
DAA26170E			
REF. No.	PART No.	DESCRIPTION	TYPE
1	DAA26170E1	Main drive with brake disc	Duplex Indoor
2	DAA26170E2	Main drive with brake disc	
3	DAA26170E3	Main drive with brake disc	
4	DAA26170E4	Main drive with brake disc	Triplex Indoor Rise ≤12m
5	DAA26170E5	Main drive with brake disc	
6	DAA26170E6	Main drive with brake disc	

Escalator Drive



DAA26170E				
REF. No.	PART No.	DESCRIPTION		TYPE
7	DAA26170E7	Main drive with brake disc	Triplex Indoor Rise ≤15m	1000
8	DAA26170E8	Main drive with brake disc		800
9	DAA26170E9	Main drive with brake disc		600
10	DAA26170E11	Main drive with brake disc	Duplex Outdoor	1000
11	DAA26170E12	Main drive with brake disc		800
12	DAA26170E13	Main drive with brake disc		600

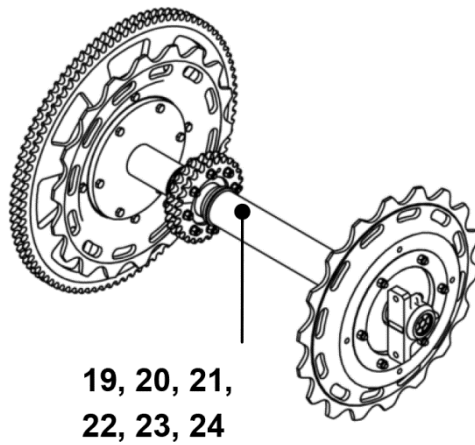
Escalator Drive



**13, 14, 15,
16, 17, 18**

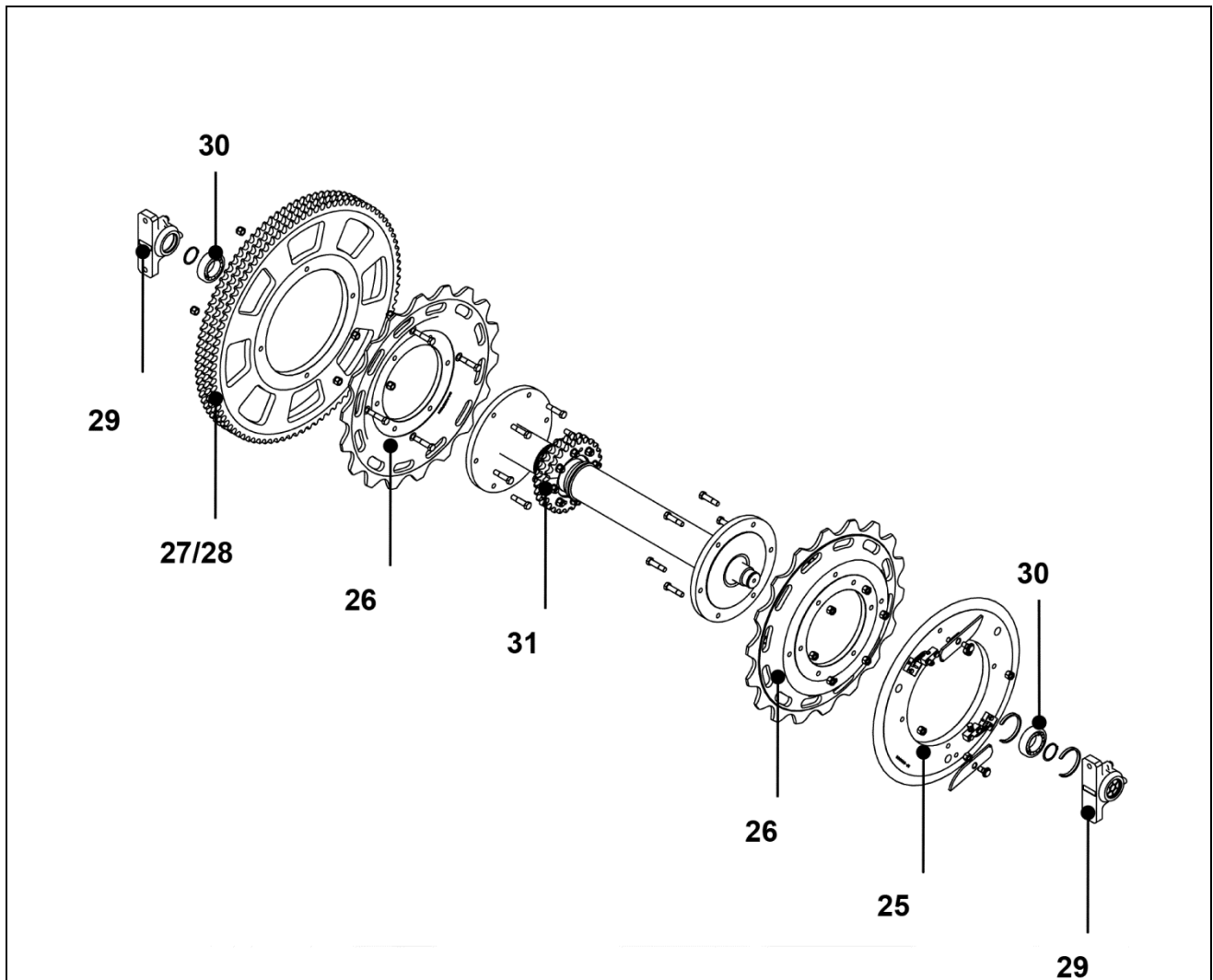
DAA26170E			
REF. No.	PART No.	DESCRIPTION	TYPE
13	DAA26170E14	Main drive with brake disc	Triplex 1000
14	DAA26170E15	Main drive with brake disc	Outdoor 800
15	DAA26170E16	Main drive with brake disc	Rise ≤12m 600
16	DAA26170E17	Main drive with brake disc	Triplex 1000
17	DAA26170E18	Main drive with brake disc	Outdoor 800
18	DAA26170E19	Main drive with brake disc	Rise ≤15m 600

Escalator Drive



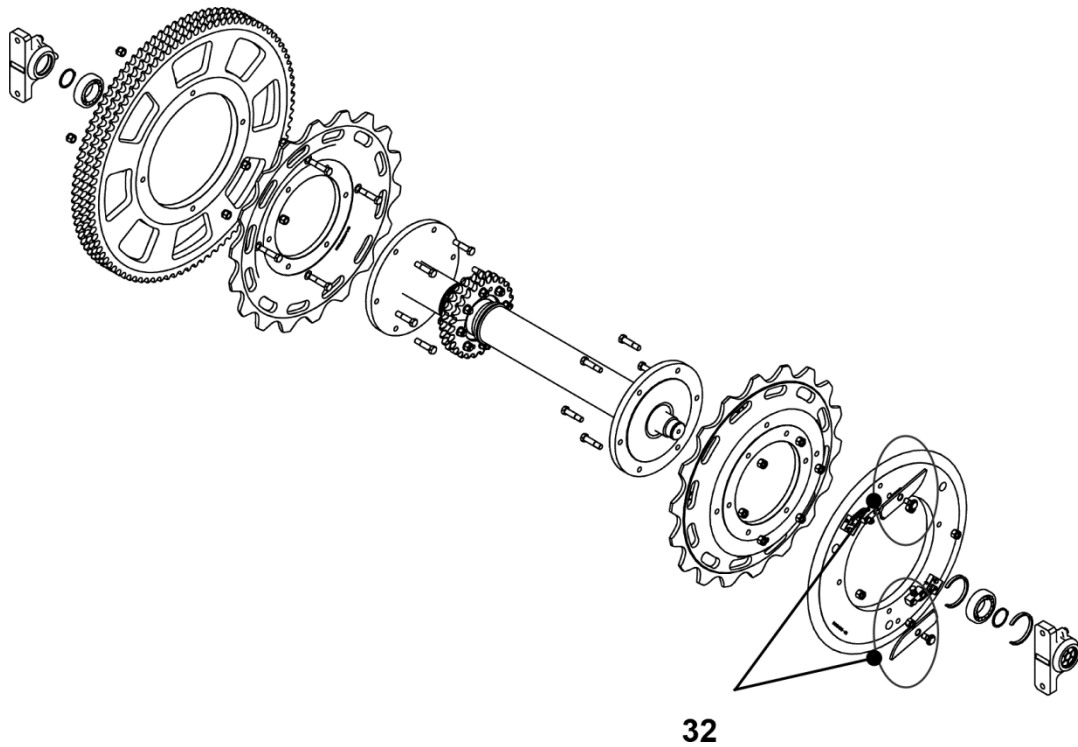
DAA26170E			
REF. No.	PART No.	DESCRIPTION	TYPE
19	DAA26170E101	Main drive without brake disc	1000
20	DAA26170E102	Main drive without brake disc	800
21	DAA26170E103	Main drive without brake disc	600
22	DAA26170E111	Main drive without brake disc	1000
23	DAA26170E112	Main drive without brake disc	800
24	DAA26170E113	Main drive without brake disc	600

Escalator Drive



REF. No.	PART No.	DESCRIPTION
	DAA26170E	
25	GO196R1	Brake disc
26	DAA195P1	Step chain sprocket
27	DAA195N1	Main drive chain sprocket, DUPLEX
28	DAA195N2	Main drive chain sprocket, TRIPLEX
29	GO472BA2	Bearing housing
30	22212C	Bearing
31	DAA195BB1	HR drive chain sprocket

Escalator Drive



	DAA26170E	
REF. No.	PART No.	DESCRIPTION
32	GO288FY1	Lever