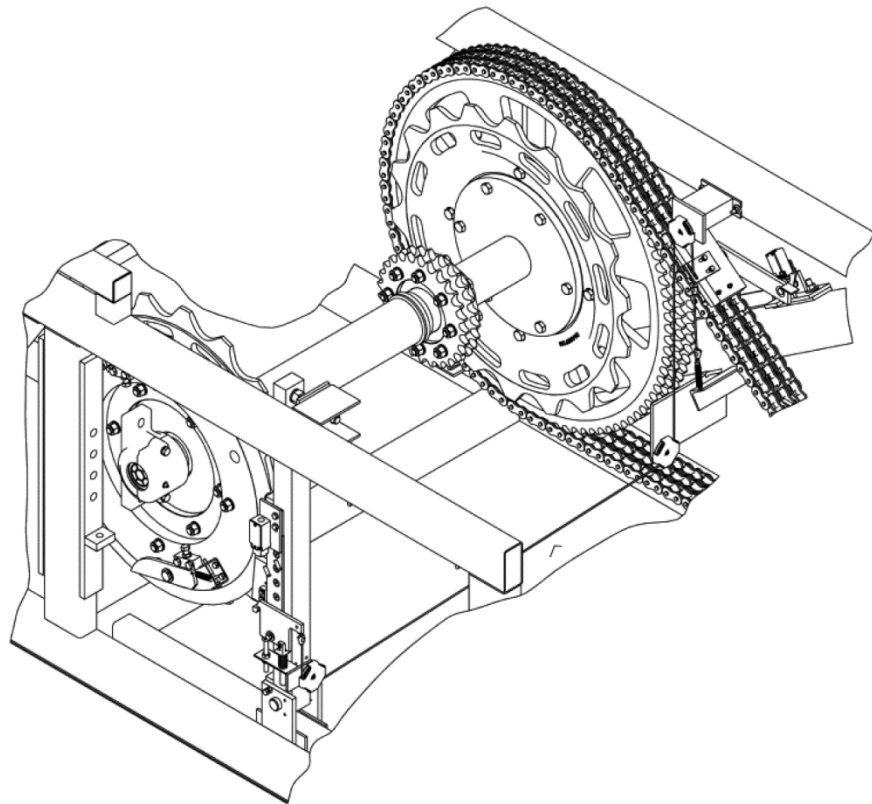
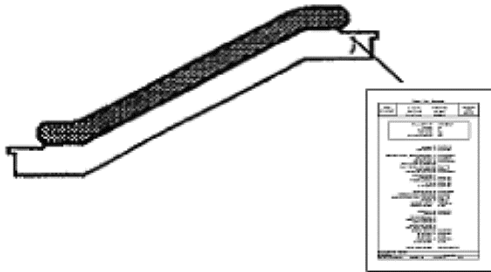


512NCE-ANSI / 515NPE-S &
515NPEL (JIS) Escalator
Auxiliary Brake Mechanical
Released

Spare Parts Leaflet

51-DAA26231E

November 30, 2013 / Page 1 of 5



OTIS

ESCALATOR ENGINEERING

Otis Elevator Company

SIT GUANGZHOU

Unpublished Work—© Otis Elevator Co.; 2013

Leaflet Description

Auxiliary brake for 512NCE-ANSI and 515NPE-S / 515NPE-L JIS.

Leaflet Revisions

Date Revised	Subject Matter Expert	Reason for Revision
May 15, 2010	Wan, Ji An	Original document
Nov. 30, 2013	Kong, Xiangfa	Parts upgrade on page 3 & 4

Related Drawings

Drawing No.	Title	Drawing No.	Title
DAA26231E	Auxiliary Brake		
DAB26231E	Auxiliary Brake		

Related Documents

Document ID	Title
BOM DAB26231A	Mechanical Auxiliary Brake
ODS GAA27076FS	Main Drive

Subject Matter Expert

Name	Department
Wan, Ji An	SIT-GUANGHOU

About Spare Parts Leaflets...

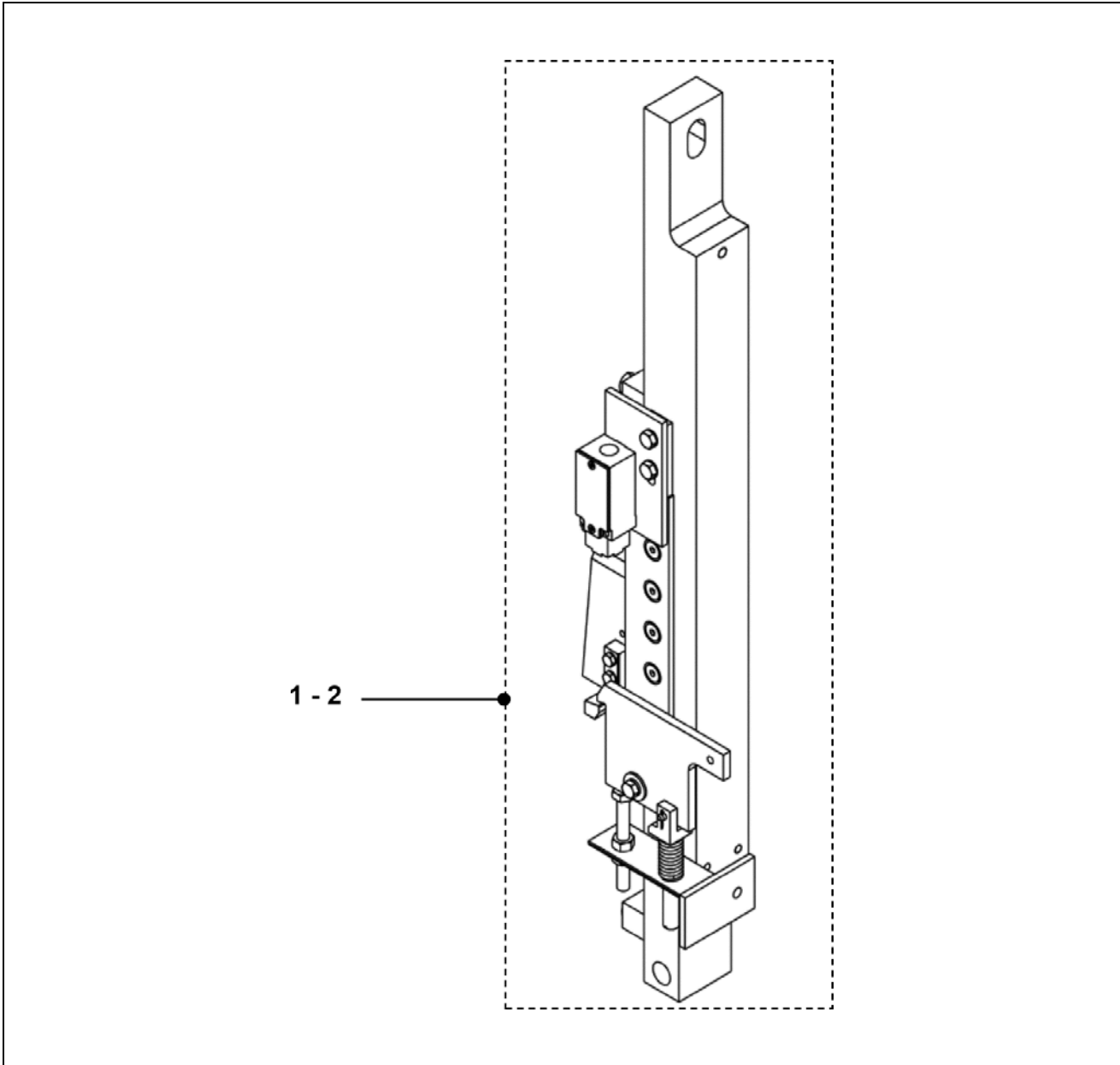
This document lists the lowest replaceable units (LRUs) for the standard version of the product. The LRUs are chosen by a team of Otis associates representing engineering and manufacturing.

While goal of this document is to make parts identification as easy as possible, the document cannot be all-inclusive. Elevator and escalator contracts classified as “special” or “custom” are not addressed here. For such contracts, please refer to specified information, the contract folder, TIPs, Field Education Articles, Construction Letters, etc. for further information.

If you have any suggestions about this document, please contact the subject matter expert listed on this page.

512NCE-ANSI / 515NPE-S &
 515NPE-L (JIS) Escalator Auxiliary
 Brake Mechanical Release

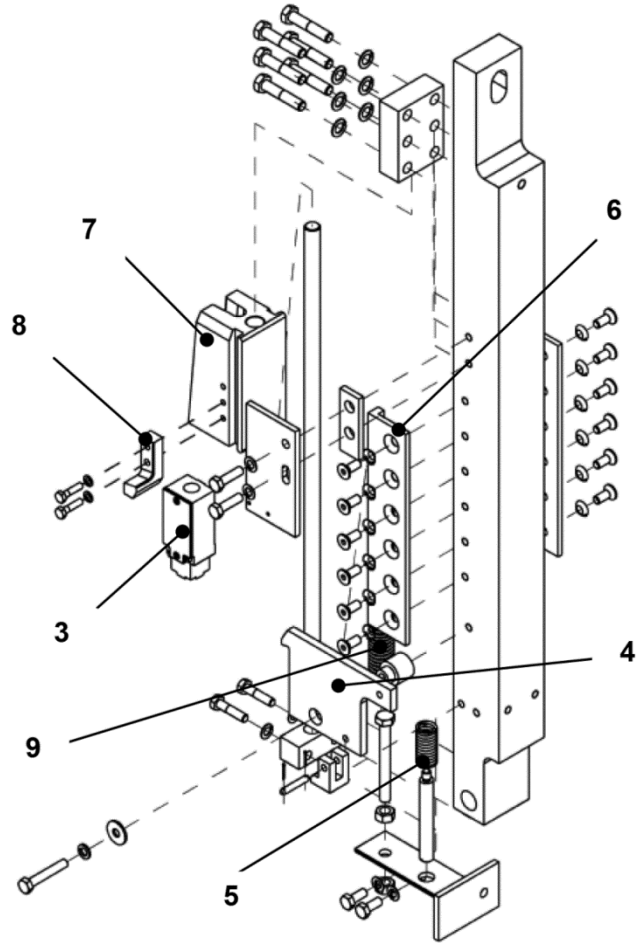
51-DAA26231E



REF. No.	PART No.	DESCRIPTION
	DAA26231E	
1	DAA26231A7 DAB26231A7	Auxiliary Brake, Indoor
2	DAA26231A8 DAB26231A8	Auxiliary Brake, Outdoor

51-DAA26231E

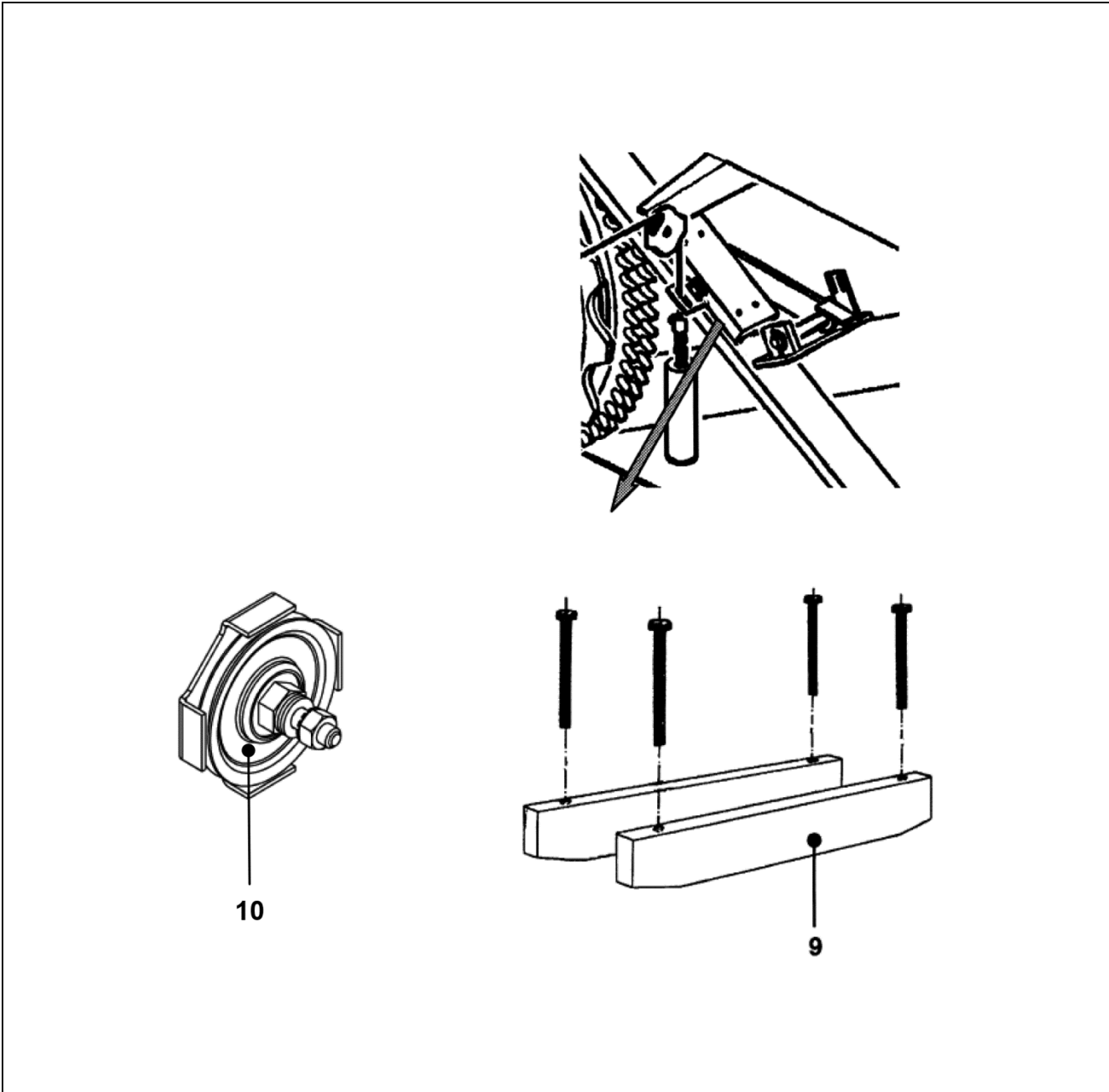
512NCE-ANSI / 515NPE-S &
515NPE-L (JIS) Escalator Auxiliary
Brake Mechanical Release



REF. No.	PART No.	DESCRIPTION
	DAA26231E	
3	GOA177AM3	Switch
4	DAA307E1	Lever
5	GO90BD1	Spring
6	GO385EC2	Guide
7	DAA415A1	Shoe
8	DAA509F1	Hook
	DAB509F1	
	DAB509F11	
9	GO90BH2	Spring

512NCE-ANSI / 515NPE-S &
 515NPE-L (JIS) Escalator Auxiliary
 Brake Mechanical Release

51-DAA26231E



DAA26231E		
REF. No.	PART No.	DESCRIPTION
10	GX265BD3	Rope Sheave
11	GAA470AJ1	Shoe