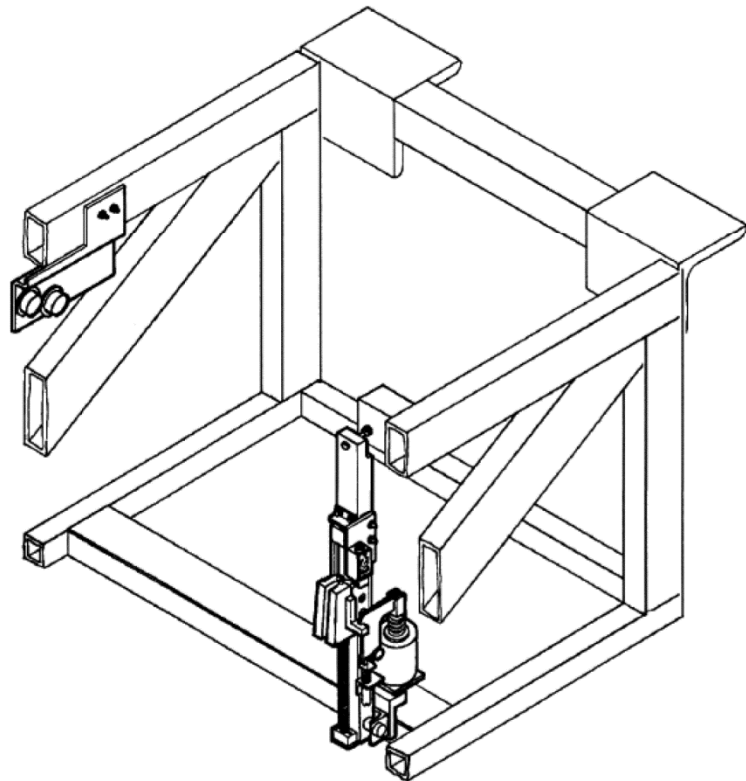
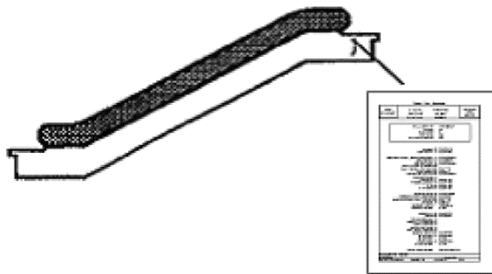


**Link (508 NCE) / Link
V2.8 / 508NCE-ANSI
Escalator Auxiliary Brake
El. Magnetical**

Spare Parts Leaflet

51-DAA26231F

October 30, 2016 / Page 1 of 5



OTIS

SERVICE ENGINEERING

Otis Elevator Company

SIT GUANGZHOU

Unpublished Work—© Otis Elevator Co.; 2016

Leaflet Description

EL. Magnetical auxiliary brake for link (508NCE), link V2.8 & 508NCE-ANSI.

Leaflet Revisions

Date Revised	Subject Matter Expert	Reason for Revision
May 15, 2010	Wan, Ji An	Original Document
November 30, 2013	Kong, Xiangfa; Sun Zhongda	Pats upgraded and added on p. 3, 4, and 5
October 30, 2016	Gao, Yinglin	DAA415A1 changed to DAA415E1; DAB509F11 changed to DAA509Z3 on page 5

Related Drawings

Drawing No.	Title	Drawing No.	Title
DAA26231F	El. Magnetical Auxiliary Brake	DAC26231F	El. Magnetical Auxiliary Brake
DAB26231F	El. Magnetical Auxiliary Brake		

Related Documents

Document ID	Title
ODS DAA27076BC	Main Drive
ODS DAA27076BD	El. Magnetical Auxiliary Brake

Subject Matter Expert

Name	Department
Wan, Ji An	SIT-GUANGZOU

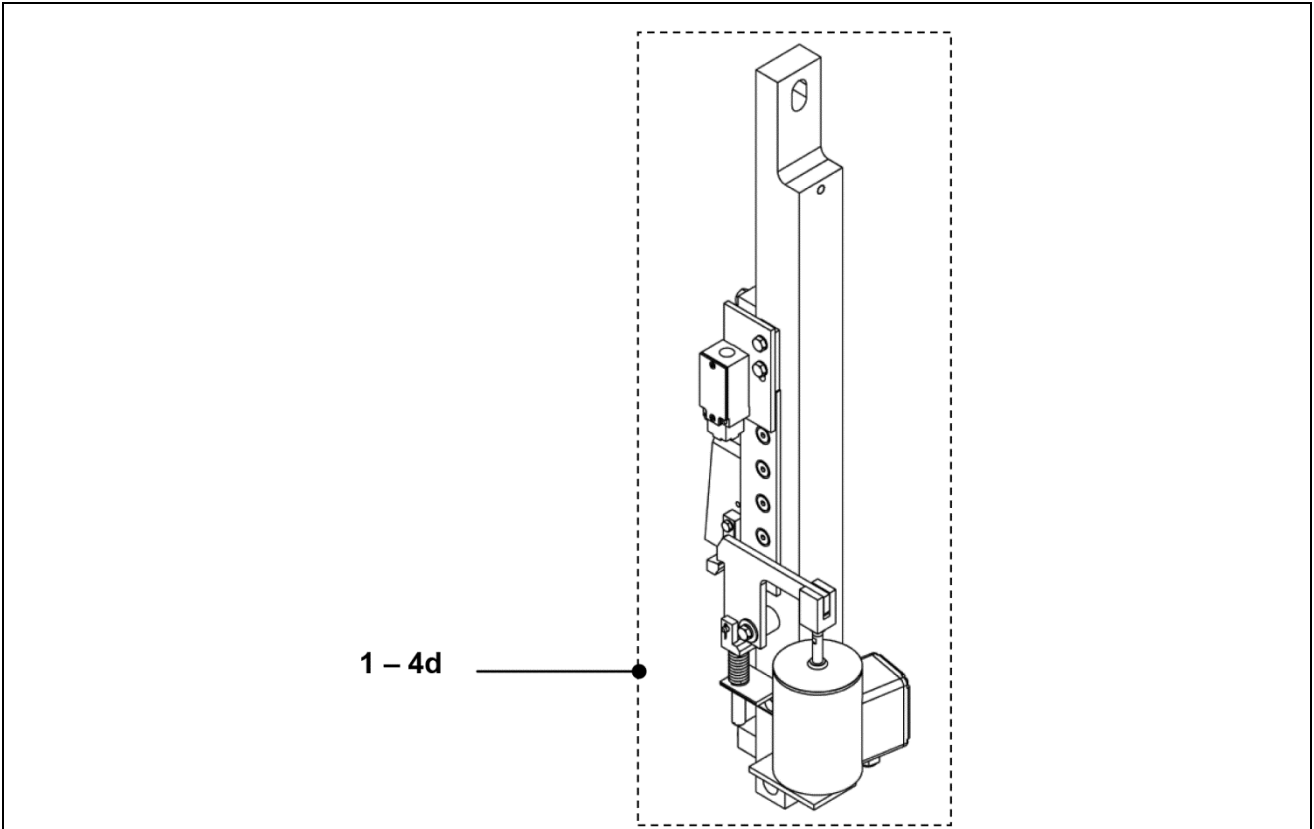
About Spare Parts Leaflets...

This document lists the lowest replaceable units (LRUs) for the standard version of the product. The LRUs are chosen by a team of Otis associates representing engineering and manufacturing.

While goal of this document is to make parts identification as easy as possible, the document cannot be all-inclusive. Elevator and escalator contracts classified as “special” or “custom” are not addressed here. For such contracts, please refer to specified information, the contract folder, TIPs, Field Education Articles, Construction Letters, etc. for further information.

If you have any suggestions about this document, please contact the subject matter expert listed on this page.

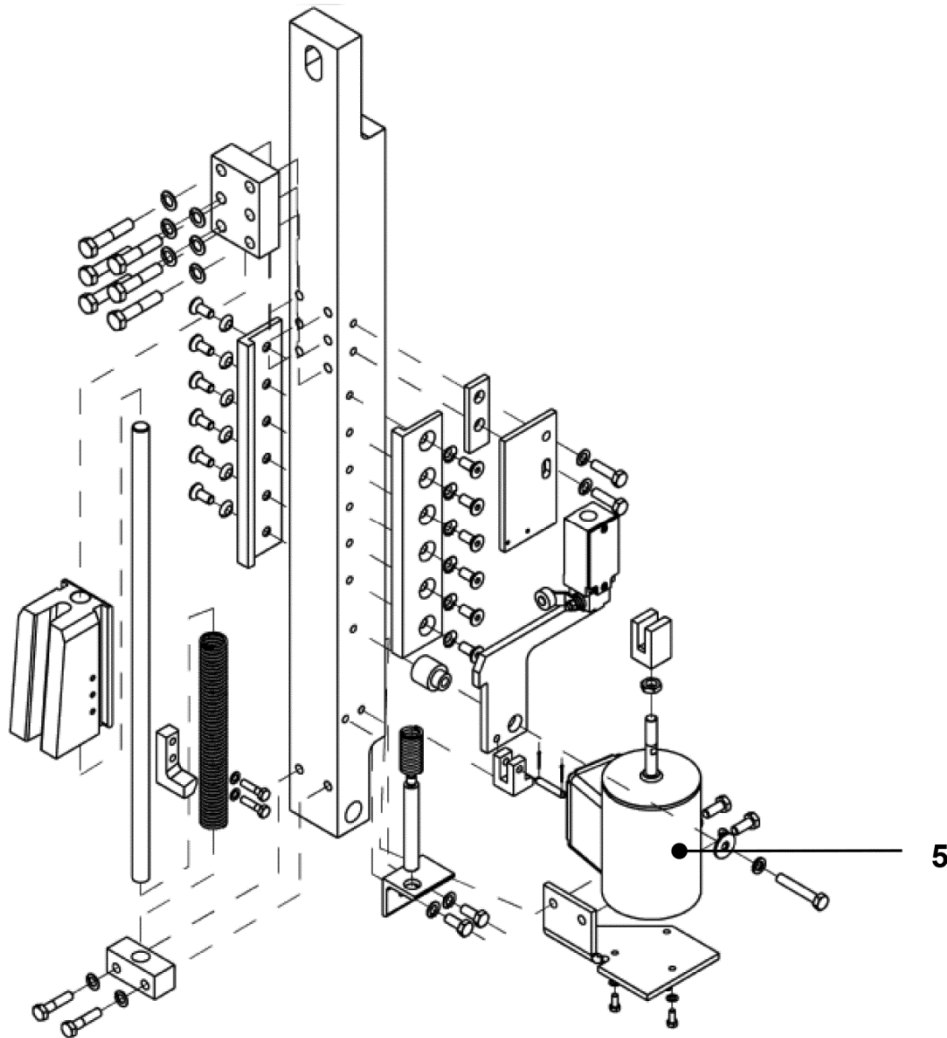
**508NCE-ANSI Escalator Auxiliary
Brake El. Magnetical**



DAA26231F				
REF. No.	PART No.	DESCRIPTION	TYPE	CODE
1	DAA26231A1	Auxiliary brake 230 Volt AC, indoor, Single magnet	LINK V2.8	EN115:2008/ GB16899:2011
	DAC26231A1			
2	DAA26231A2	Auxiliary brake 230 Volt AC, outdoor, Single magnet	LINK V2.8	EN115:2008/ GB16899:2011
	DAC26231A2			
3	DAA26231A9	Auxiliary brake 230 Volt AC, indoor, Single magnet	LINK V2.8 / LINK (508NCE)	EN115:1995/ HK
	DAB26231A9			
4	DAA26231A10	Auxiliary brake 230 Volt AC, outdoor, Single magnet	LINK (508NCE)	EN115:2008/ GB16899:2011
	DAB26231A10			
4a	DAC26231A9	Auxiliary brake 230 Volt AC, indoor, Single magnet	LINK (508NCE)	EN115:2008/ GB16899:2011
4b	DAC26231A10	Auxiliary brake 230 Volt AC, outdoor, Single magnet		
4c	DAC26231A11	Auxiliary brake 230 Volt AC, indoor, Single magnet	508NCE- ANSI	ANSI
4d	DAC26231A12	Auxiliary brake 230 Volt AC, outdoor, Single magnet		

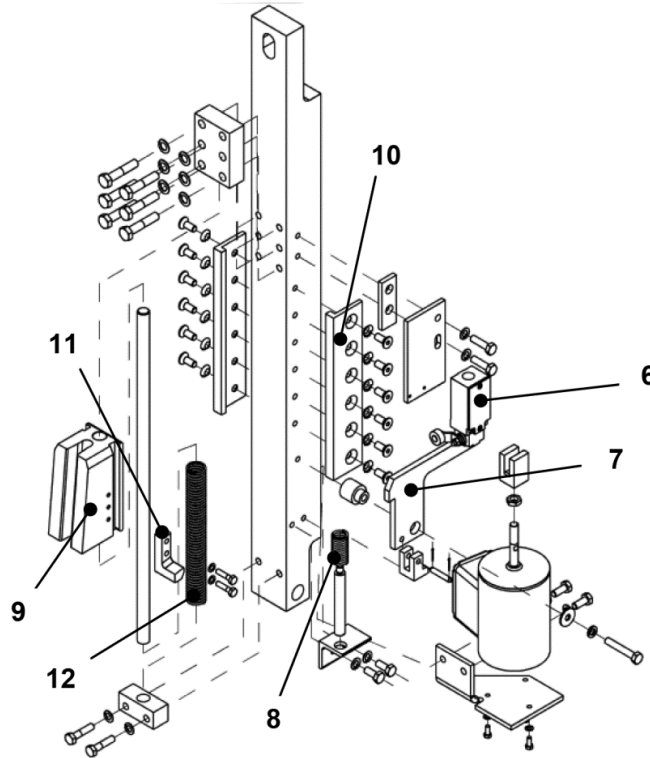
51-DAA26231F

**Link (508 NCE) / Link V2.8 /
508NCE-ANSI Escalator Auxiliary
Brake El. Magnetical**



REF. No.	PART No.	DESCRIPTION	CODE
	DAA26231F		
5	DAA330AF1	Brake Magnet	EN115:1995 / HK
	DAA330AZ1	Brake Magnet	EN115:2008 / GB16899:2011
	DAA330AF2	Brake Magnet	ANSI

**508NCE-ANSI Escalator Auxiliary
Brake El. Magnetical**



DAA26231F				
REF. No.	PART No.	DESCRIPTION		CODE
6	GOA177AM3	Switch		ANSI
	DAA177ES1			EN115:2008/GB16899:2011/ EN115:1995
	GBA177HM1+DA A177ET1			HK
7	DAA307D1	Lever	508NCE	ANSI
	DAB307D1		LINK V2.8	EN115:2008/GB16899:2011
	DAB307D3	Lever	LINK (508NCE) / LINK V2.8 LINK (508NCE)	EN115:1995/ HK EN115:2008/GB16899:2011
8	GO90BD1	Spring		
9	DAA415A1 DAA415E1	Shoe		
10	GO385EC2	Guide		
11	DAA509F1	Hook		
	DAB509F1			
	DAB509F11 DAA509Z3			
12	GO90BH2	Spring		