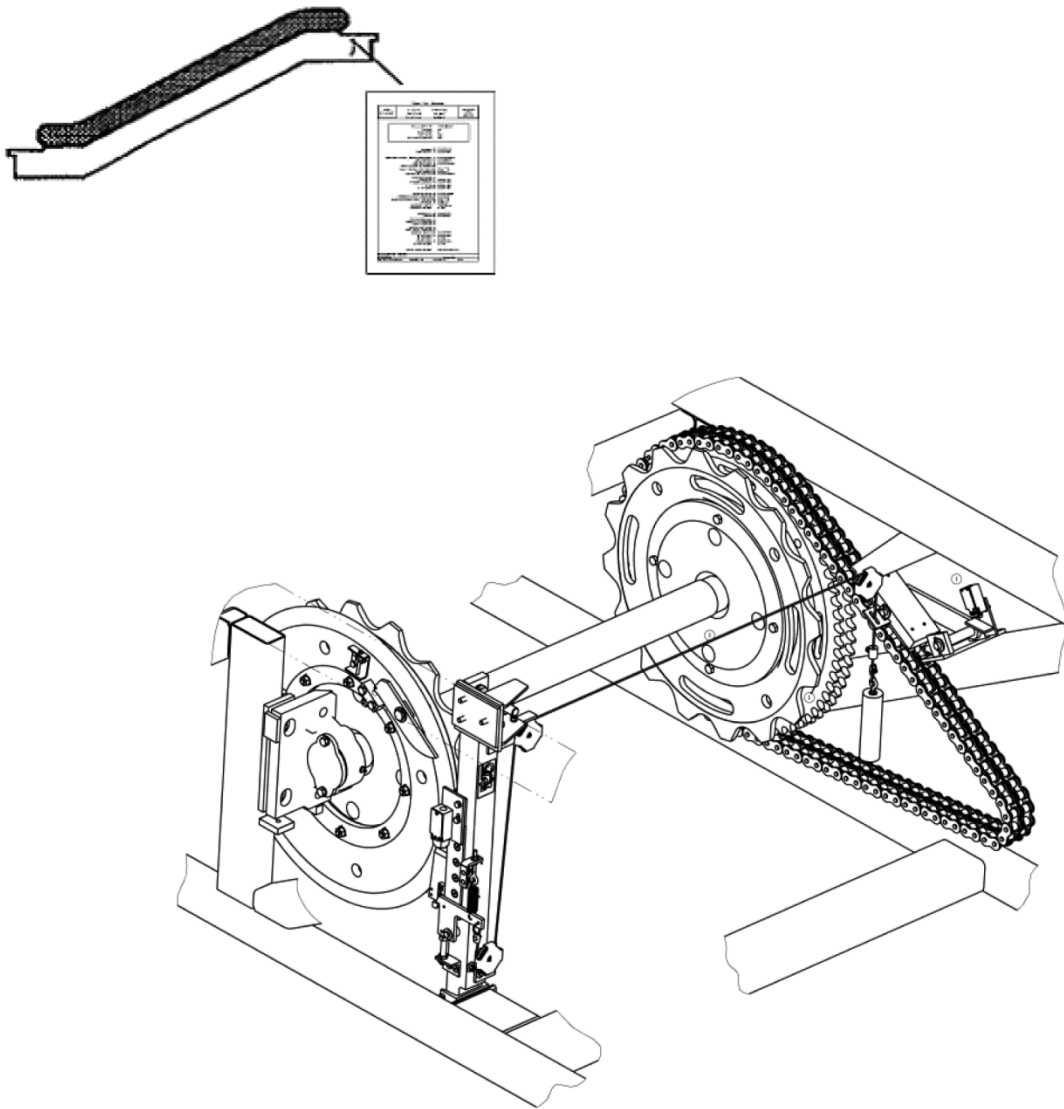


**Link (508NCE) / 508NCE-
ANSI Escalator Auxiliary
Brake Mechanical Released**

**Spare Parts Leaflet
51-DAA26231G**

February 17, 2022 / Page 1 of 5



OTIS

ESCALATOR GINEERING
Otis Elevator Company
SIT GUANGZHOU

Unpublished Work—© Otis Elevator Co.; 2022

Leaflet Description

Auxiliary brake for link (508NCE)-JIS & 508NCE-ANSI.

Leaflet Revisions

Date Revised	Subject Matter Expert	Reason for Revision
May 15, 2010	Wan, Ji An	Original Document
November 30, 2013	Kong, Xiangfa: Sun, Zhongda	Parts upgraded on page 3 & 4
October 30, 2016	Gao, Yinglin	DAA415A1 changed to DAA415E1; DAB509F11 changed to DAA509Z3 on page 4
February 17, 2022	Wang Yun	Upgrade on page 5.

Related Drawings

Drawing No.	Title	Drawing No.	Title
DAA26231G	Auxiliary Brake	DAB26231G	Auxiliary Brake

Related Documents

Document ID	Title
BOM DAA26231G	EL. Magnetical Auxiliary Brake
BOM DAB26231A	EL. Magnetical Auxiliary Brake
ODS DAA27076BC	Main Drive

Subject Matter Expert

Name	Department
Wan, Ji An	SIT-GUANGZHOU

About Spare Parts Leaflets...

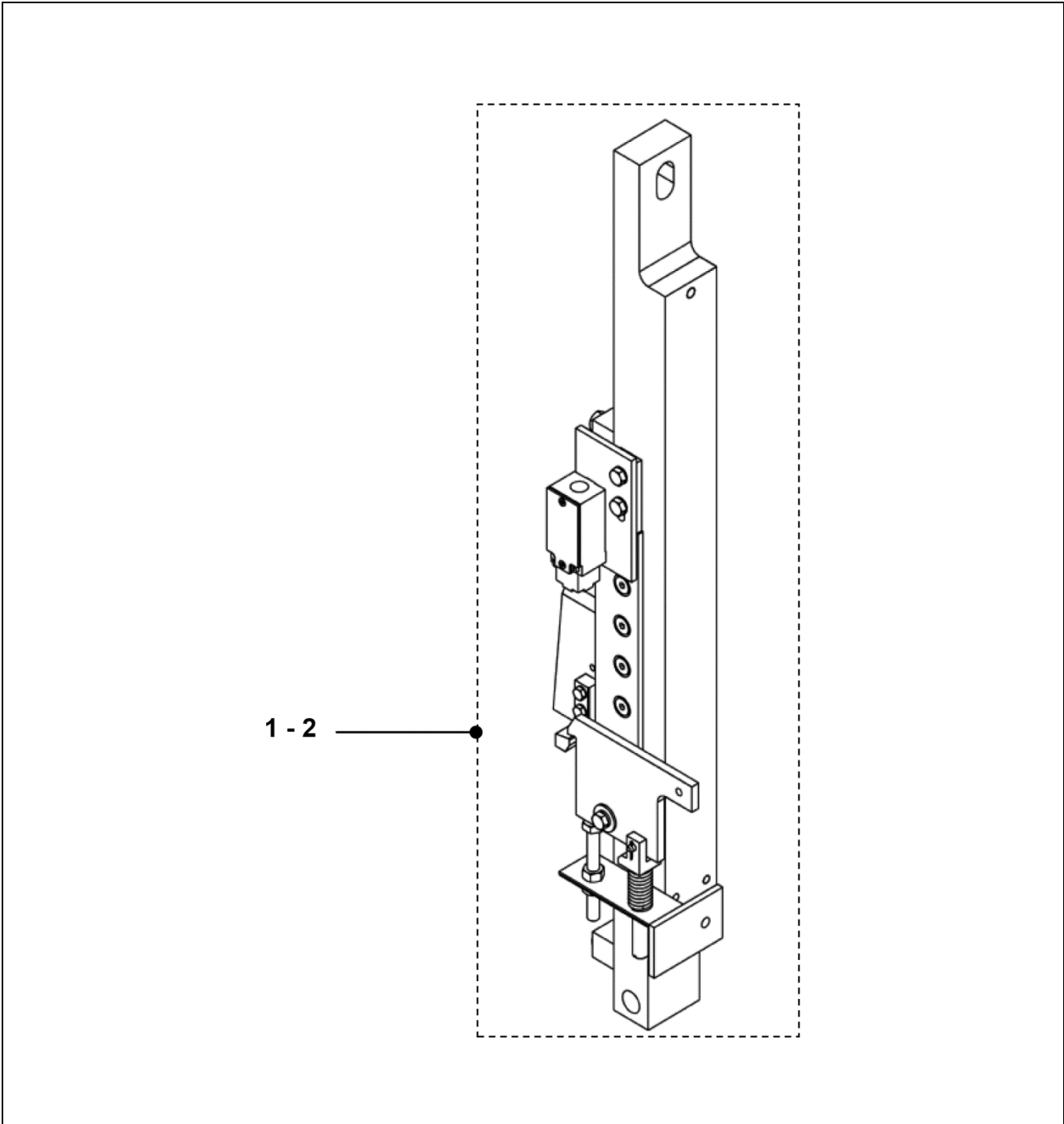
This document lists the lowest replaceable units (LRUs) for the standard version of the product. The LRUs are chosen by a team of Otis associates representing engineering and manufacturing.

While goal of this document is to make parts identification as easy as possible, the document cannot be all-inclusive. Elevator and escalator contracts classified as “special” or “custom” are not addressed here. For such contracts, please refer to specified information, the contract folder, TIPS, Field Education Articles, Construction Letters, etc. for further information.

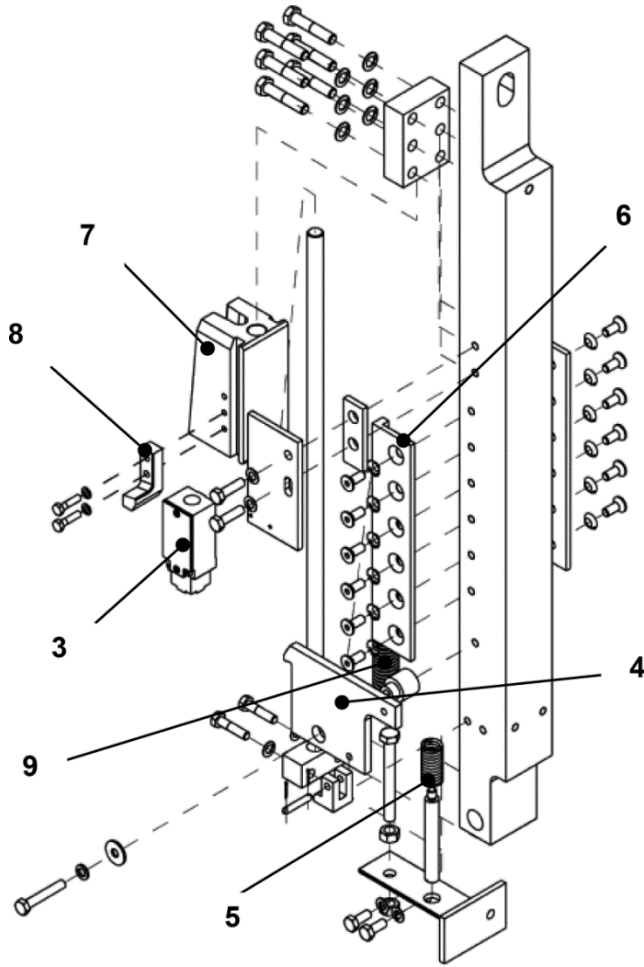
If you have any suggestions about this document, please contact the subject matter expert listed on this page.

**Link (508NCE) / 508NCE-ANSI Escalator
Auxiliary Brake Mechanical Released**

51-DAA26231G



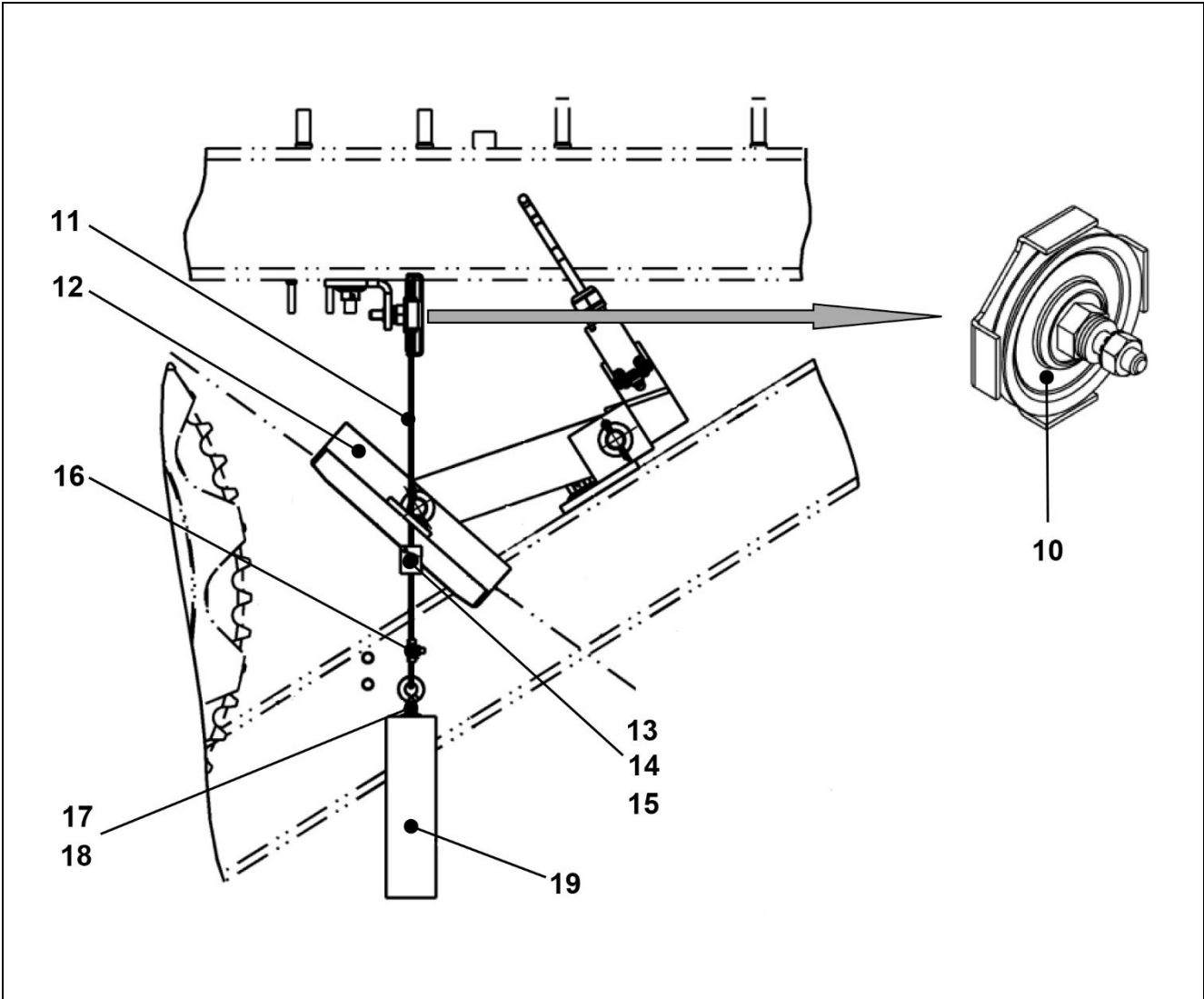
DAA26231G			
REF. No.	PART No.	DESCRIPTION	PRODUCT TYPE
1	DAA26231A3 DAB26231A3	Auxiliary Brake, Indoor	508NCE-ANSI Link (508NCE)-JIS
2	DAA26231A4 DAB26231A4	Auxiliary Brake, Outdoor	



DAA26231G		
REF. No.	PART No.	DESCRIPTION
3	GOA177AM3	Switch
4	DAA307E1	Lever
5	GO90BD1	Spring
6	GO385EC2	Guide
7	DAA415A1 DAA415E1	Shoe
8	DAA509F1 DAB509F1 DAB509F11 DAA509Z3	Hook
9	GO90BH2	Spring

**Link (508NCE) / 508NCE-ANSI Escalator
Auxiliary Brake Mechanical Released**

51-DAA26231G



DAA26231G		
REF. No.	PART No.	DESCRIPTION
10	GX265BD3	Rope Sheave
11	73619	Rope (3 Meters)
12	GAA446AS1	Tripping Device
13	GAA231G1	Clamp
14	IS04017-M6X16-8.8-Z	M6X16 Hexagon Head Screw
15	DIN127A-M6-430HV-B	M6 Helical Spring Lock
16	GO231A1	Rope Clamp
17	GAA98DY1	Rod
18	GAA72BS3	Washer Nut
19	GAA344BC1	Weight