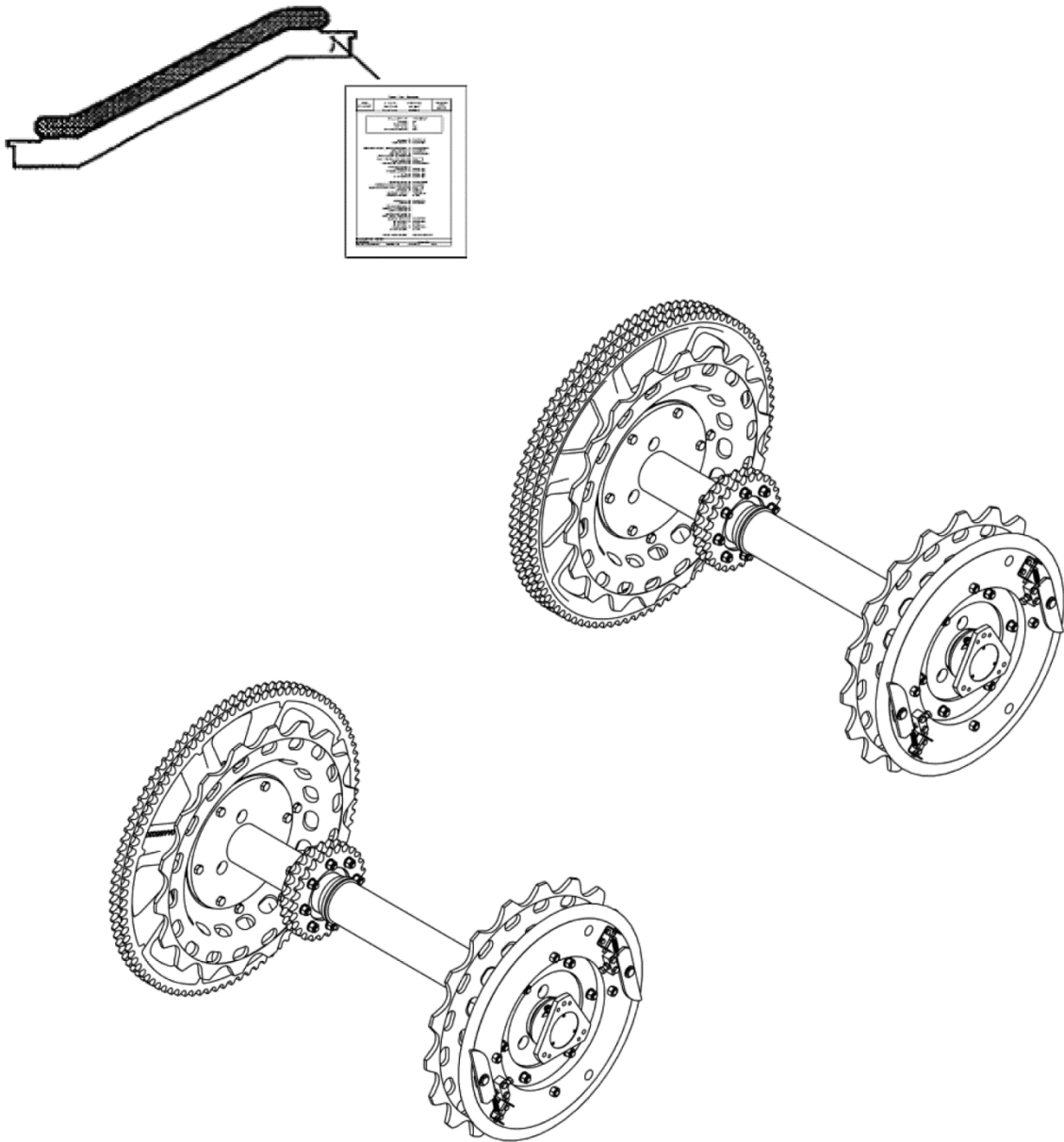


512NCE / 515NPE-S /
515NPE-L Escalator
Main Drive

Spare Parts Leaflet

51-GAA26170AD

March 1, 2013 / Page 1 of 6



OTIS

SERVICE ENGINEERING
Otis Elevator Company
Bloomfield, Connecticut USA

Unpublished Work—© Otis Elevator Co.; 2013

Leaflet Description

This leaflet provides information for main drive.

Leaflet Revisions

Date Revised	Subject Matter Expert	Reason for Revision
July 30, 2007	Wan, Ji An	Release
October 9, 2008	Wan, Ji An	Bearing housing GO472BM1 replaced by DAA472J1 on p. 5
June 10, 2009	Wan, Ji An	Update to cover 512NCE ANSI and 515NPE-L. Link B named to 515NPE-S
March 1, 2013	Wan, Ji An	Sprocket divided, duplex GAA195NF1 replaced by GAA195NH1

Related Drawings

Drawing No.	Title	Drawing No.	Title
GAA26170AD	Main Drive		

Related Documents

Document ID	Title
BOM GAA26170AD	Main Drive

Subject Matter Expert

Name	Department
Wan, Ji An	SIT-GUANGHZOU

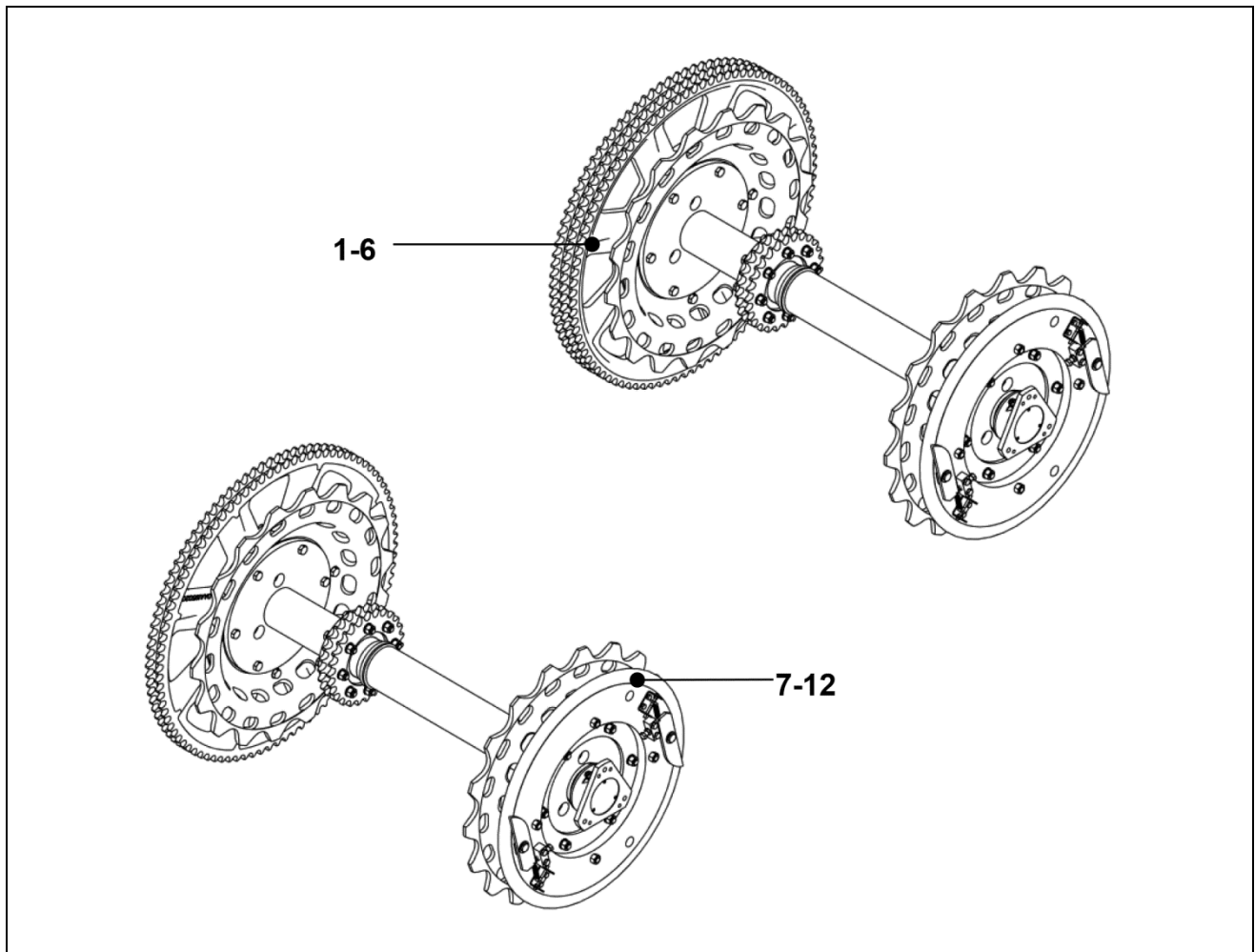
About Spare Parts Leaflets...

This document lists the lowest replaceable units (LRUs) for the standard version of the product. The LRUs are chosen by a team of Otis associates representing engineering and manufacturing.

While goal of this document is to make parts identification as easy as possible, the document cannot be all-inclusive. Elevator and escalator contracts classified as “special” or “custom” are not addressed here. For such contracts, please refer to specified information, the contract folder, TIPs, Field Education Articles, Construction Letters, etc. for further information.

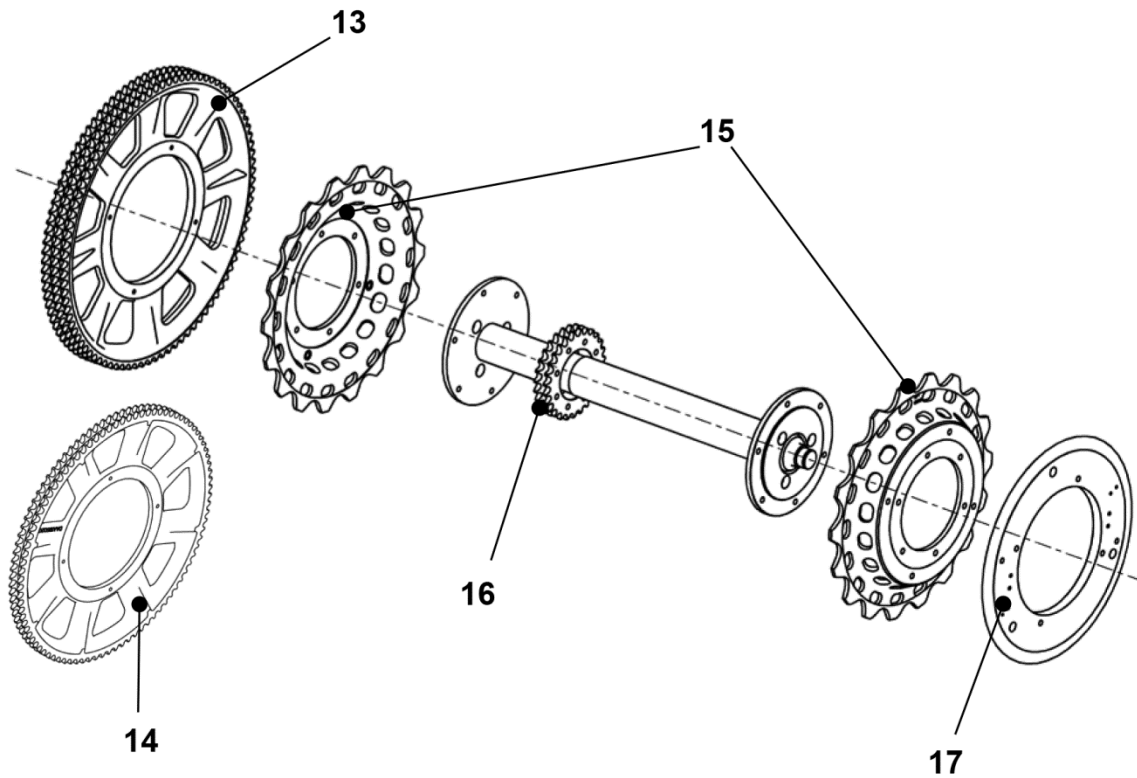
If you have any suggestions about this document, please contact the subject matter expert listed on this page.

Escalator Main Drive



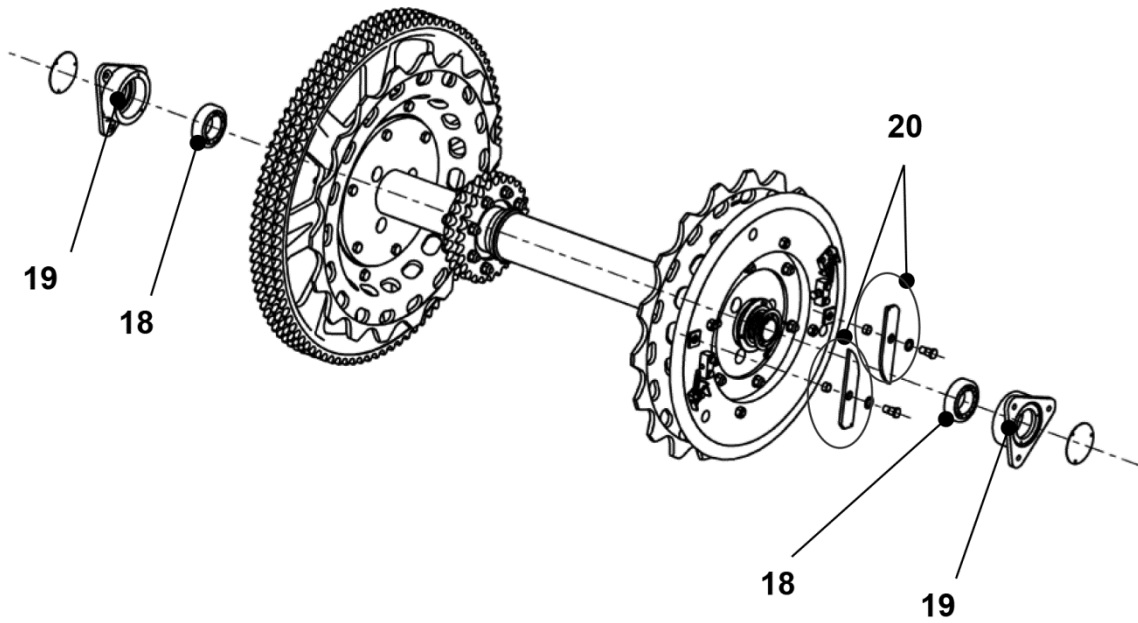
GAA26170AD				
REF. No.	PART No.	DESCRIPTION		TYPE
1	GAA26170AD1	Main Drive, triplex sprocket	Indoor	600
2	GAA26170AD4	Main Drive, triplex sprocket	outdoor	
3	GAA26170AD2	Main Drive, triplex sprocket	Indoor	800
4	GAA26170AD5	Main Drive, triplex sprocket	outdoor	
5	GAA26170AD3	Main Drive, triplex sprocket	Indoor	1000
6	GAA26170AD6	Main Drive, triplex sprocket	outdoor	
7	GAA26170AD7	Main Drive, duplex sprocket	Indoor	600
8	GAA26170AD10	Main Drive, duplex sprocket	outdoor	
9	GAA26170AD8	Main Drive, duplex sprocket	Indoor	800
10	GAA26170AD11	Main Drive, duplex sprocket	outdoor	
11	GAA26170AD9	Main Drive, duplex sprocket	Indoor	1000
12	GAA26170AD12	Main Drive, duplex sprocket	outdoor	

Escalator Main Drive



REF. No.	PART No.	DESCRIPTION
	GAA26170AD	
13	GAA195NB12	Main Drive Sprocket, Triplex
14	DAA195Q3	Man Drive Sprocket, Duplex
15	GO195JJ7	St. Chain Sprocket
16	GAA195NF1 GAA195NH1	Sprocket Divided, Duplex
17	GO196R1	Brake Pulley

Escalator Main Drive



GAA26170AD		
REF. No.	PART No.	DESCRIPTION
18	LO209G9	Roll Bearing
19	GO472BM1	Bearing Housing
	DAA472J1	
20	GO288FY1	Lever

Escalator Main Drive

