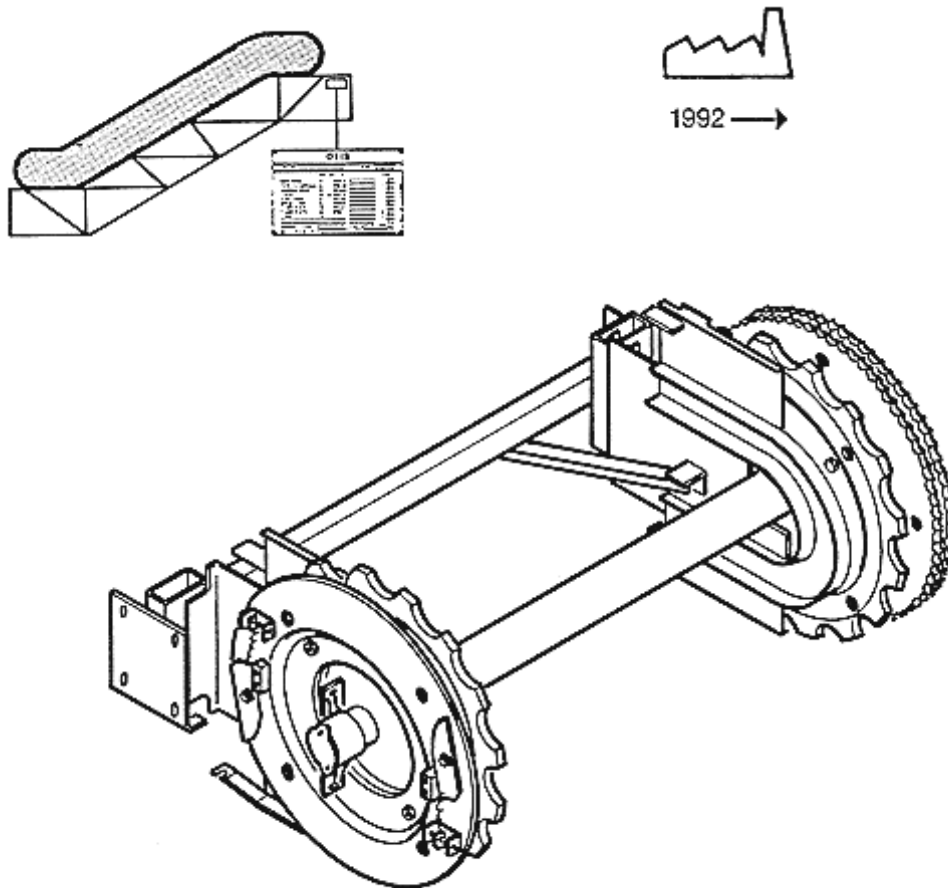


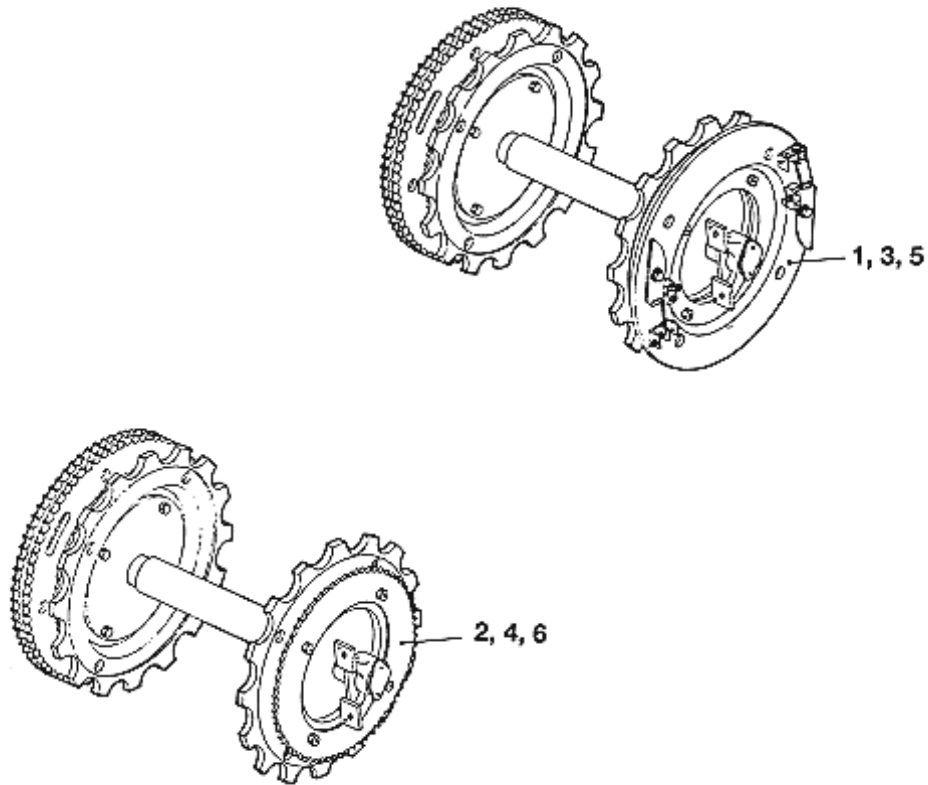
Unpublished Work - © Otis Elevator Company. Any unauthorized reproduction, disclosure, or distribution of copies or content by any person of any portion of this work may be a violation of Copyright Law of the United States of America. All rights reserved.


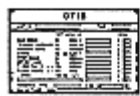
OTIS 506 SL, OTIS 506, 510 E
April 1992

Page 1



Page 2 - MAIN DRIVE OTIS 506 SLIMLINE



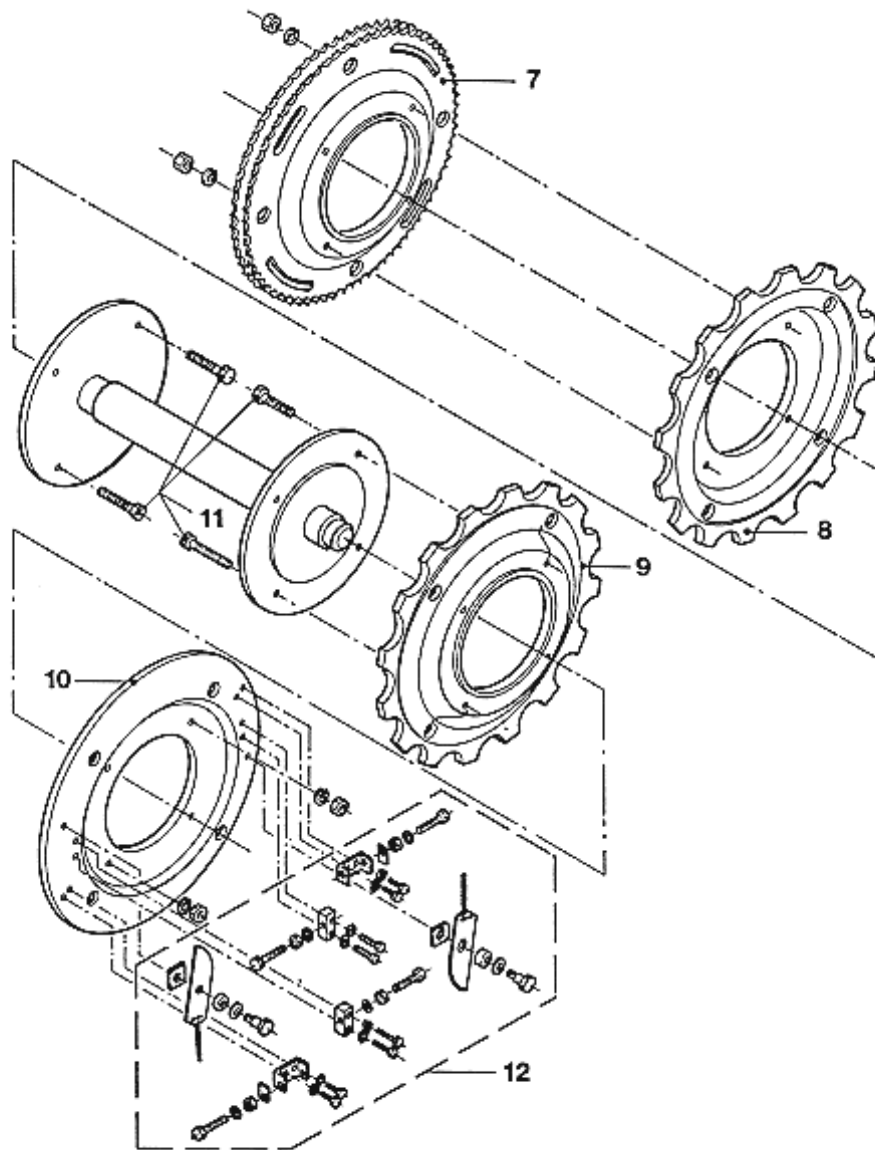



9703 EE 1
9703 EE 2
9703 EE 5
9703 EE 6
9703 EE 9
9703 EE 10

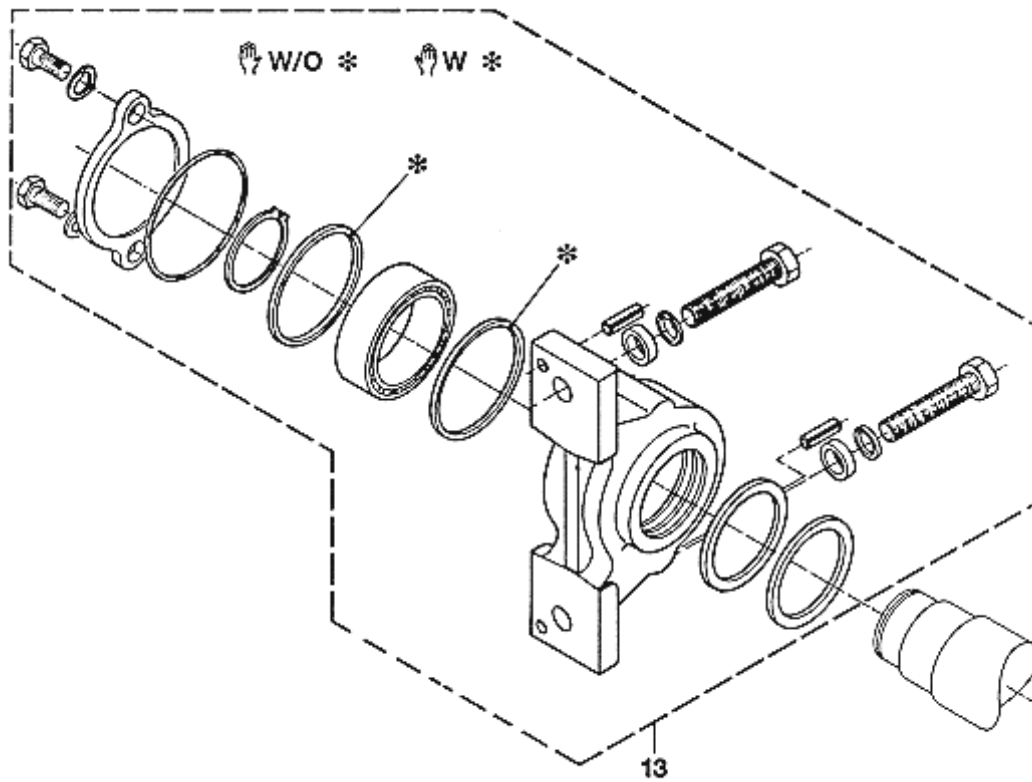
ORDER

<u>9703 EE 3</u>
<u>9703 EE 4</u>
<u>9703 EE 7</u>
<u>9703 EE 8</u>
<u>9703 EE 11</u>
<u>9703 EE 12</u>

GAA 26170 D			
REF. No	PART OR ML	DESCRIPTION	TYPE
1	9703EE3	Main drive compl. with brake (Wedge Type)	600
2	9703EE4	Main drive compl. Without brake	
3	9703EE7	Main drive compl. with brake (Wedge Type)	800
4	9703EE8	Main drive compl. Without brake	
5	9703EE11	Main drive compl. with brake (Wedge Type)	1000
6	9703EE12	Main drive compl. Without brake	

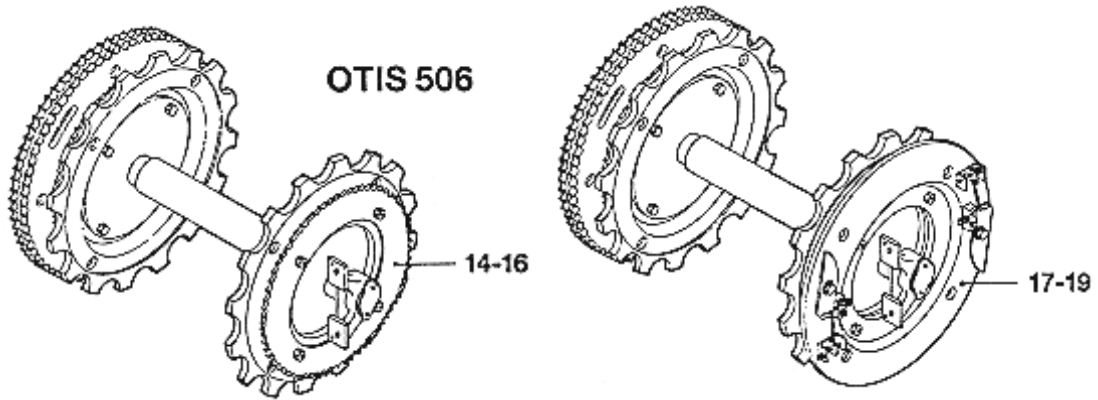


GAA 26170 D		
REF. No	PART OR ML	DESCRIPTION
7	GO195JW1	Sprocket
8	GO195JC1	Sprocket 16 Teeth
9	GO195JV1	Sprocket 16 Teeth
10	GO196AA1	Brake disc
11	GO2215H11	Hardware for fastening
12	GO2215H12	Brake lever compl.

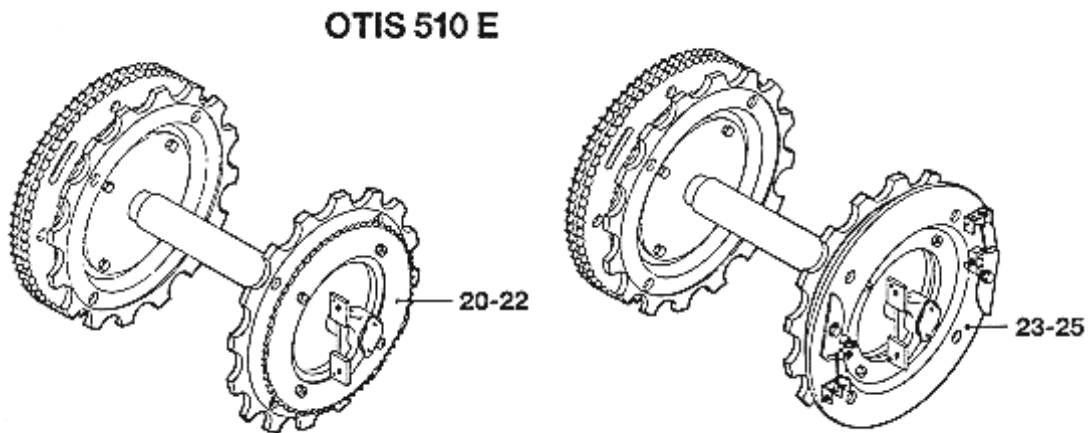


GAA 26170 D		DESCRIPTION
REF. No	PART OR ML	
13	GO2215H13	Bearing compl. & Hardware for fastening

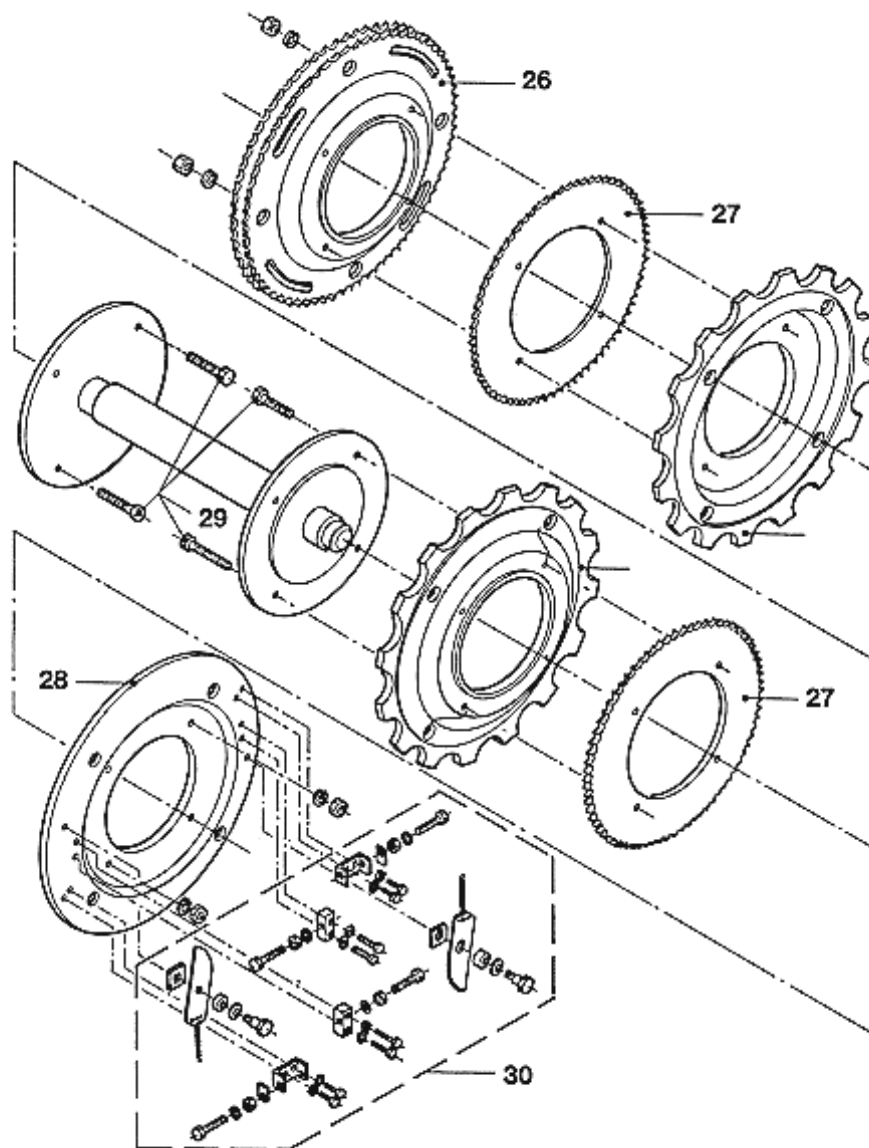
Page 5 - MAIN DRIVE OTIS 506, 510 E



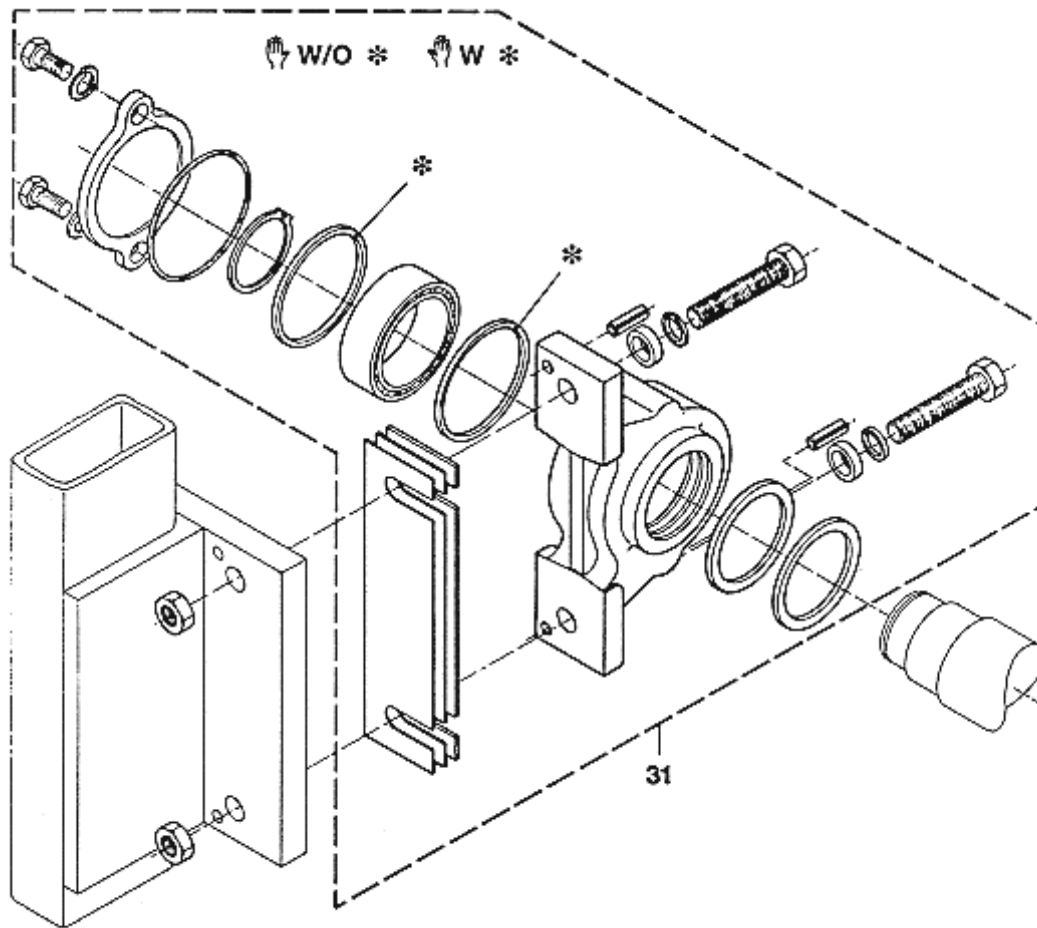
VINTAGE G. 01				
REF. No	PART OR ML	DESCRIPTION		TYPE
14	9703F7	Main drive compl.	w.o. brake	600
15	9703F8	Main drive compl.	w.o. brake	800
16	9703F9	Main drive compl.	w.o. brake	1000
17	9703F10	Main drive compl.	with brake	600
18	9703F11	Main drive compl.	with brake	800
19	9703F12	Main drive compl.	with brake	1000



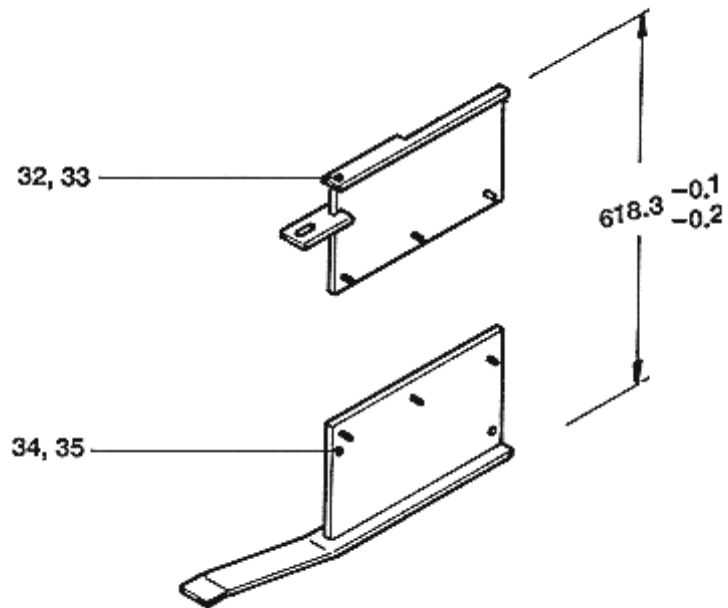
VINTAGE G. 01				
REF. No	PART OR ML	DESCRIPTION		TYPE
20	9703F35	Main drive compl.	w.o. brake	600
21	9703F36	Main drive compl.	w.o. brake	800
22	9703F37	Main drive compl.	w.o. brake	1000
23	9703F38	Main drive compl.	with brake	600
24	9703F39	Main drive compl.	with brake	800
25	9703F40	Main drive compl.	with brake	1000



VINTAGE G. 01		
REF. No	PART OR ML	DESCRIPTION
26	GO195JE1	Sprocket
27	GO195JD1	Sprocket
28	GO196H1	Brake disc
29	GO2215H11	Hardware for fastening
30	GO2215H12	Brake lever compl.



VINTAGE G. 01		
REF. No	PART OR ML	DESCRIPTION
31	GO2215H10	Bearing compl. & Hardware for fastening



GAA 26170 D			
REF. No	PART OR ML	DESCRIPTION	
32	GAA483AXW1	Transition track	As shown on picture Left hand
33	GAA438AXW2	Transition track	Right hand
34	GAA483AXX1	Transition track	As shown on picture Left hand
35	GAA483AXX2	Transition track	Right hand