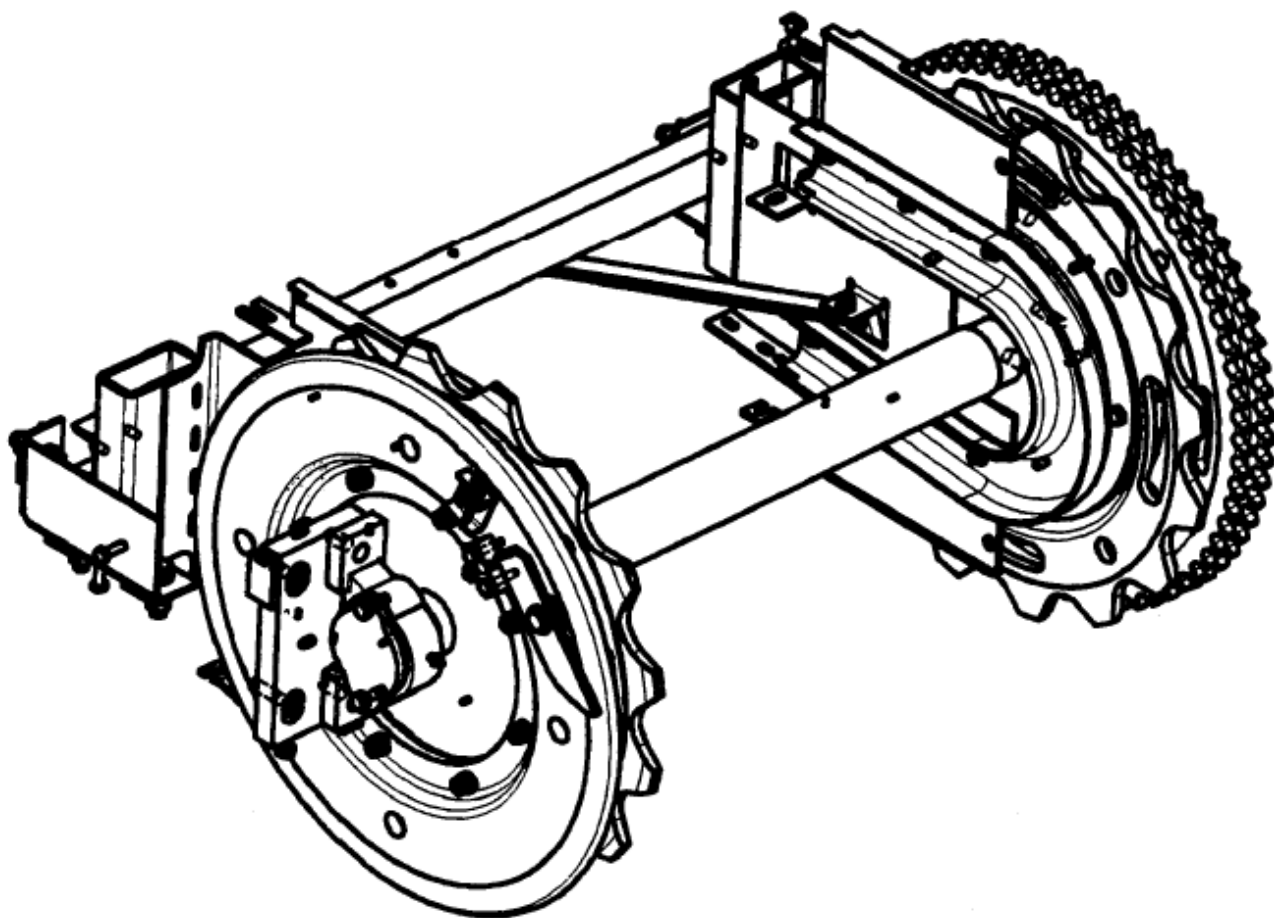


Escalator 506 NCE
Main Drive

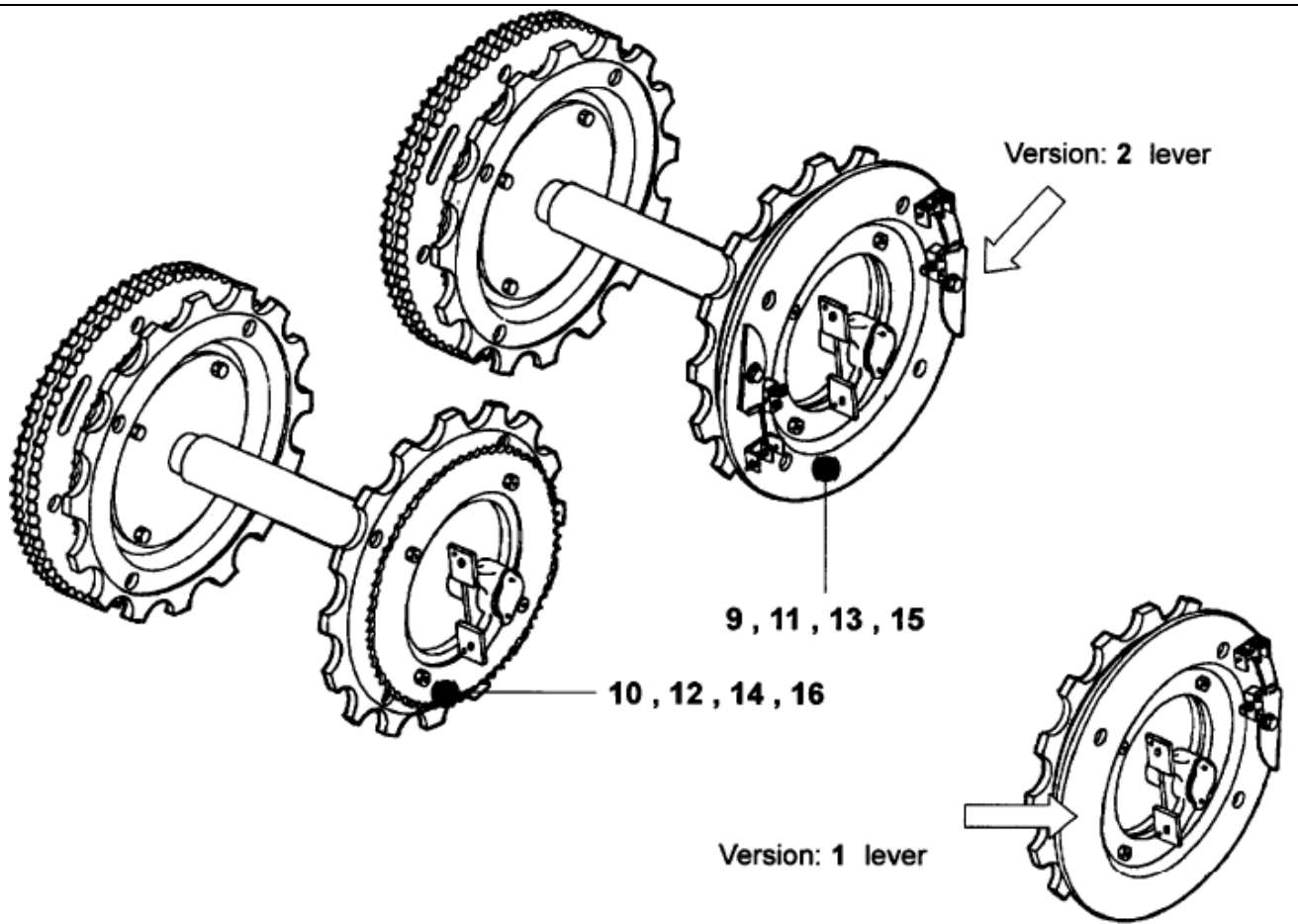
Spare Parts Leaflet

51-G..26170G

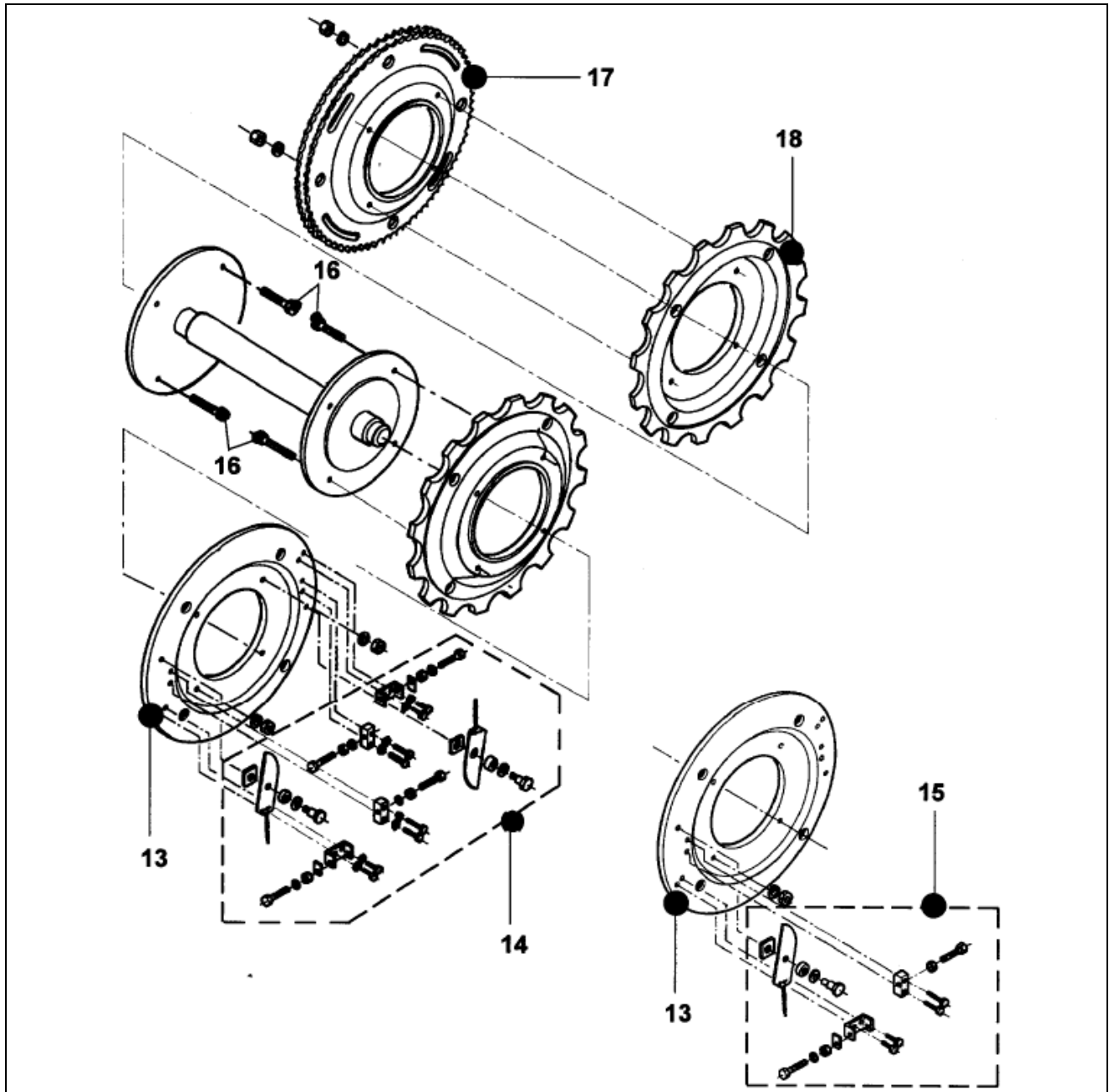
April 2000 / Page 1 of 4




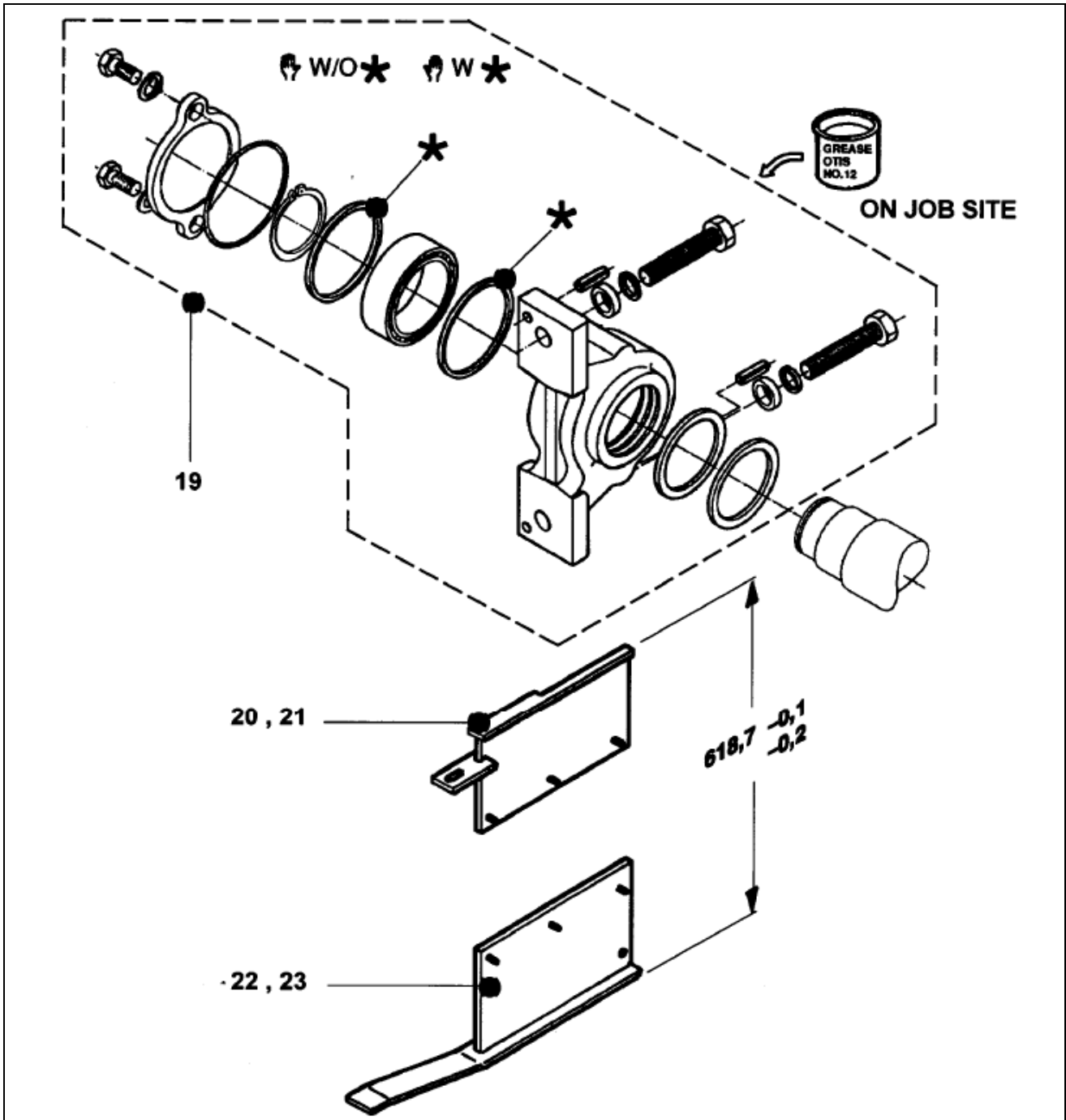
OTIS


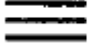


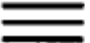



GAA26170G		DESCRIPTION		
REF. No.	PART No.			
1	GAA26170G3	Main Drive w/ Brake	600	outdoor
	GBA26170G3			
2	GAA26170G4	Main Drive w/o Brake		
	GBA26170G4			
3	GAA26170G3	Main Drive w/ Brake	800	
	GBA26170G7			
4	GAA26170G3	Main Drive w/o Brake		
	GBA26170G8			
5	GAA26170G3	Main Drive w/ Brake	1000	
	GBA26170G11			
6	GAA26170G3	Main Drive w/o Brake		
	GBA26170G12			
7	GBA26170G1	Main Drive w/ Brake	600	indoor
8	GBA26170G2	Main Drive w/o Brake		
9	GBA26170G5	Main Drive w/ Brake	800	
10	GBA26170G6	Main Drive w/o Brake		
11	GBA26170G9	Main Drive w/ Brake	1000	
12	GBA26170G10	Main Drive w/o Brake		



GAA26170G		
REF. No.	PART No.	DESCRIPTION
13	GO196AA1	Brake pulley, Wedge Type
14	GO2215H12	Set: lever for brake shoe return
15	GO2215H26	Set: lever for brake shoe return
16	GO2215H11	 Sprocket
17	GO195JW1	Sprocket
18	GO195JC4	Sprocket



GAA26170G		DESCRIPTION
REF. No.	PART No.	
19	GO2215H13	Bearing compl. 
20	GAA483AXW1	Transition track  
21	GAA483AXW2	Transition track 
22	GAA483CBH1	Transition track  
23	GAA483CBH2	Transition track 