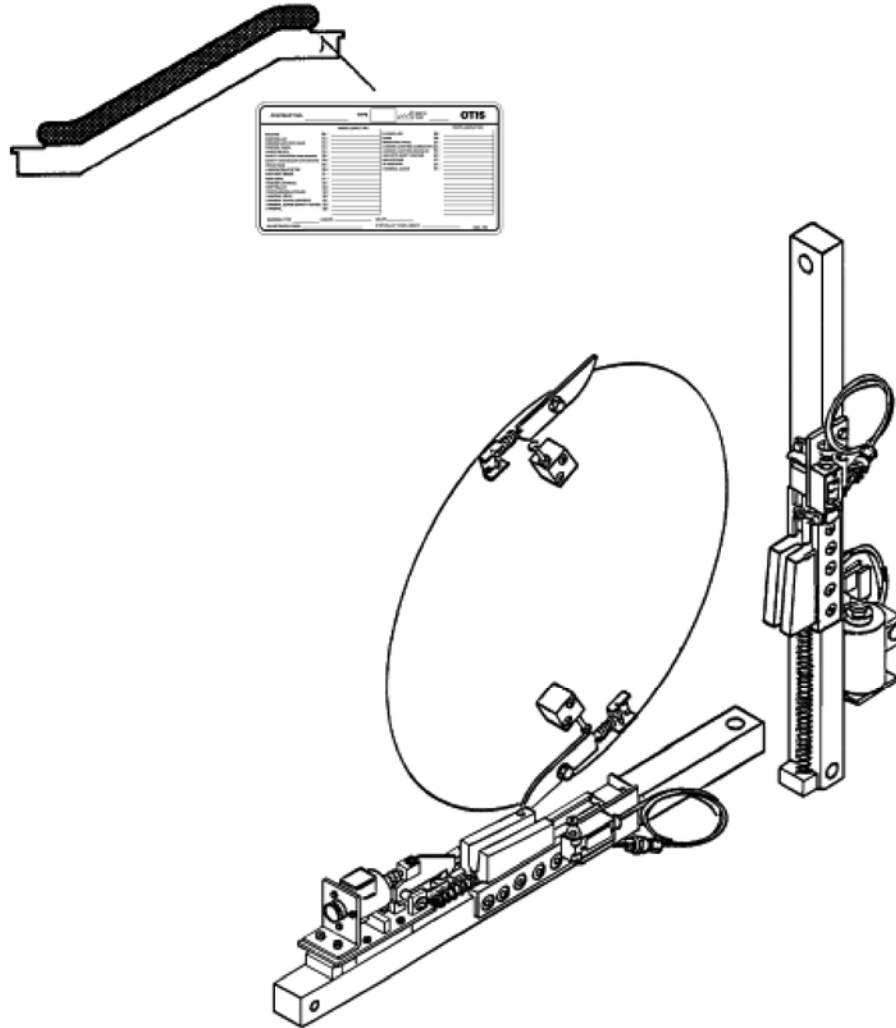


Escalator 516 / 513MPE
/ 515NPE-L Auxiliary
Brake

Spare Parts Leaflet

51-GAA26220A

March 30, 2010 / Page 1 of 7



Unpublished Work—© Otis Elevator Co.; 2010

OTIS

Safety First!

ESCALATOR ENGINEERING
Otis Elevator Company
SIT GUANGZHOU

Leaflet Description

This document shows detailed information about auxiliary brake “wedge type” version with two brake beams electrical release.

Leaflet Revisions

Date Revised	Subject Matter Expert	Reason for Revision
May 28, 2003	Wilfried Gohlke	Original document
March 30, 2010	Wan, Ji An	Add product type 515NPE-L

Related Drawings

Drawing No.	Title	Drawing No.	Title
GAA26220A	Emergency Brake		

Related Documents

Document ID	Title
---	---

Subject Matter Expert

Name	Department
Wan, Ji An	SIT - GUANGZHOU

About Spare Parts Leaflets...

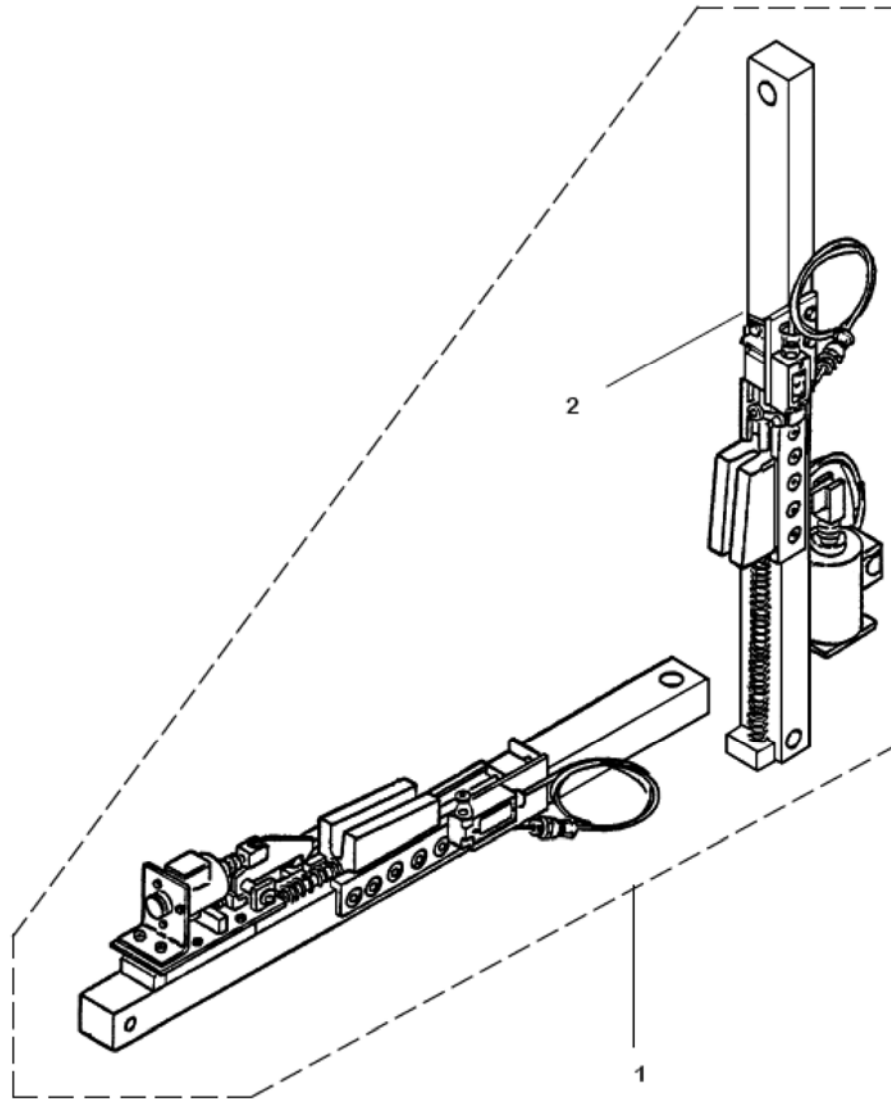
This document lists the lowest replaceable units (LRUs) for the standard version of the product. The LRUs are chosen by a team of Otis associates representing engineering and manufacturing.

While goal of this document is to make parts identification as easy as possible, the document cannot be all-inclusive. Elevator and escalator contracts classified as “special” or “custom” are not addressed here. For such contracts, please refer to specified information, the contract folder, TIPs, Field Education Articles, Construction Letters, etc. for further information.

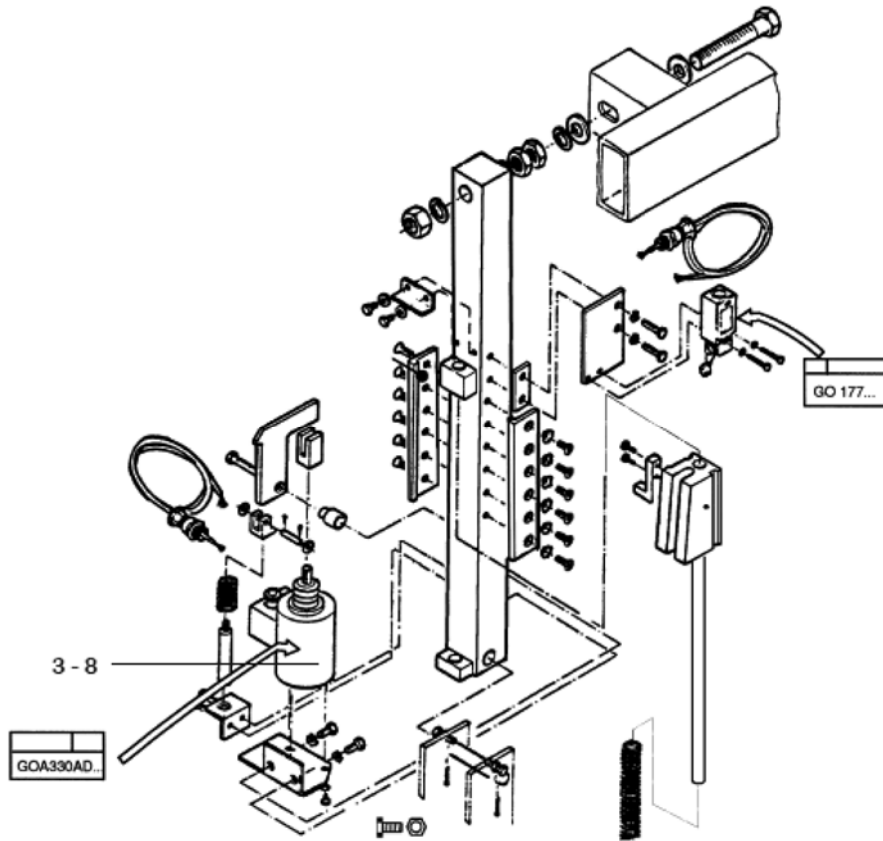
If you have any suggestions about this document, please contact the subject matter expert listed on this page.

Escalator 516 / 513MPE /
515NPE-L Auxiliary Brake

51-GAA26220A



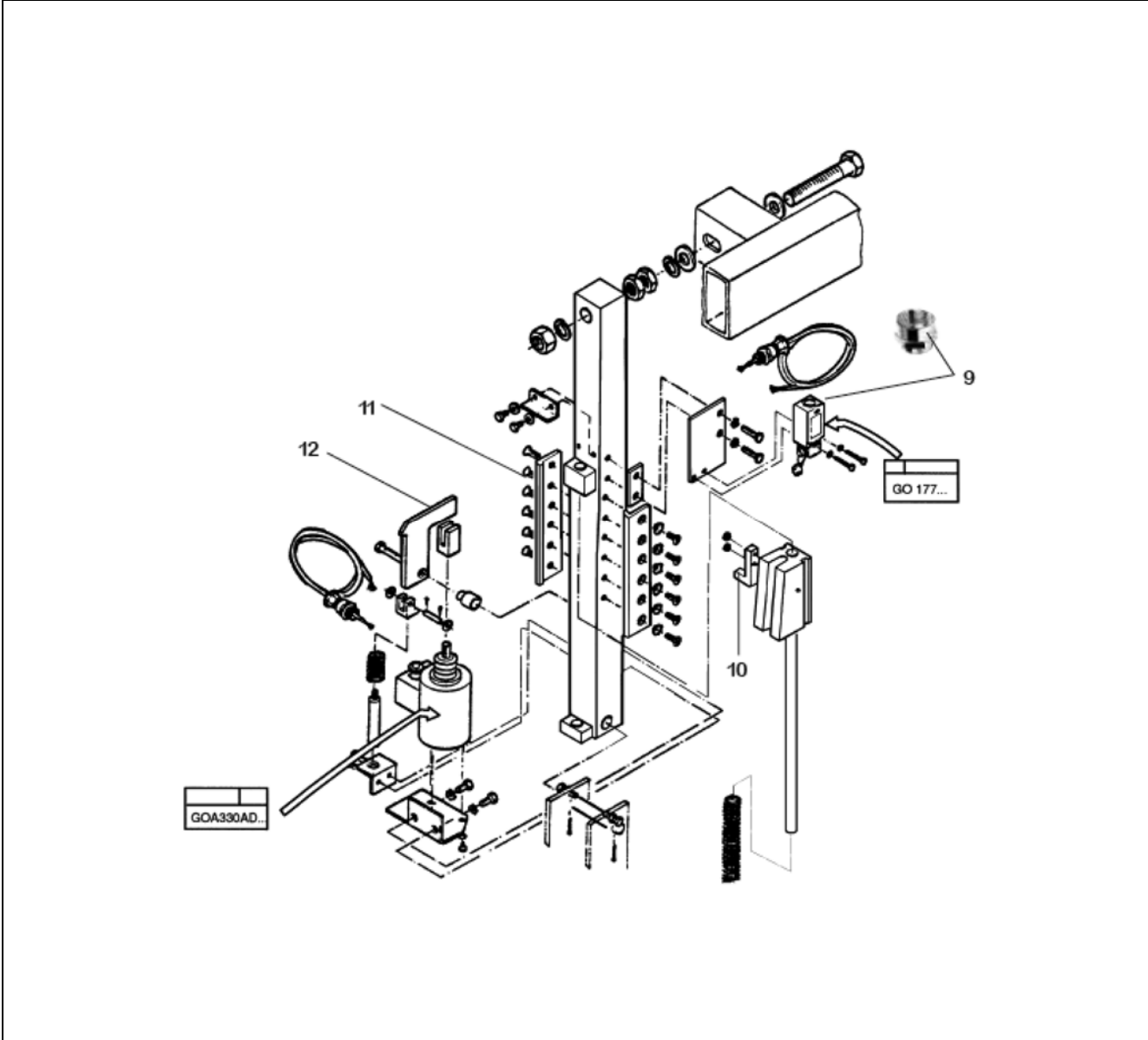
REF. No.	PART No.	DESCRIPTION
	GBA26220A	
1	GBA26220A1	Auxiliary Brake, Both Levers
2	GBA26220A2	Auxiliary Brake, Vertical Lever



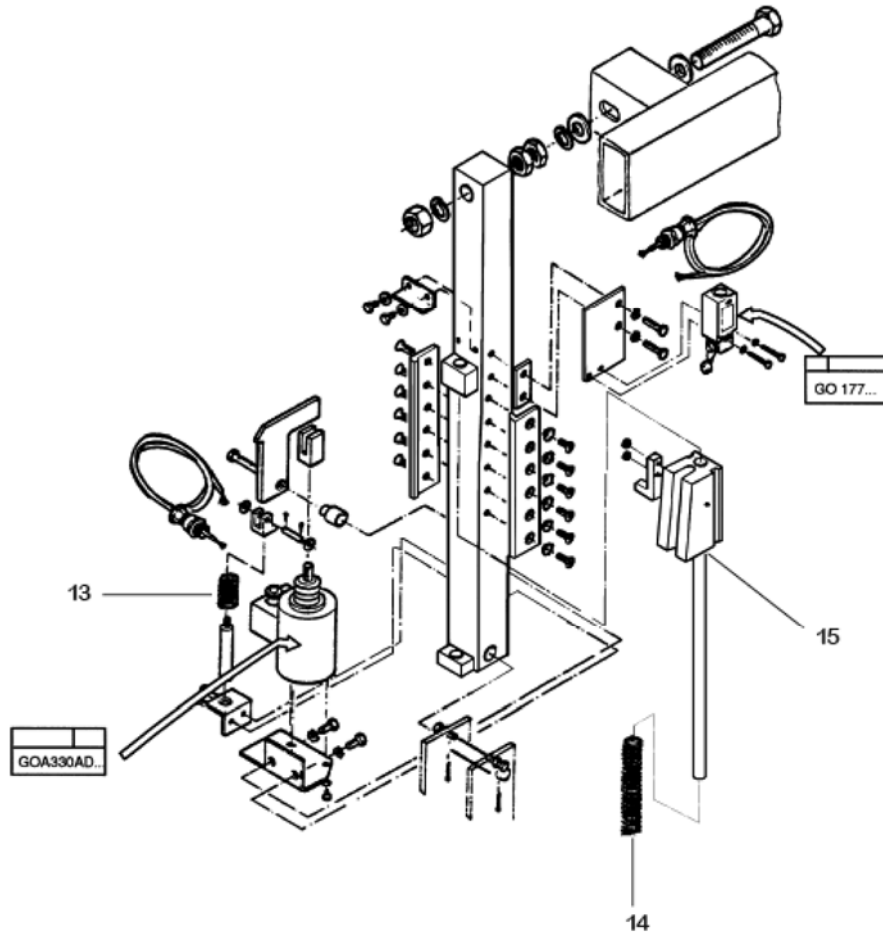
REF. No.	PART No.	DESCRIPTION
	GBA26220A	
3	GO330AD4 GOA330AD1	Brake Magnet, 230 Volt AC
4	GO330AD6 GOA330AD2	Brake Magnet, 120 Volt AC
5	GO330AD3 GOA330AD3	Brake Magnet, 48 Volt AC
6	GO330AD4 GOA330AD4	Brake Magnet, 24 Volt AC
7	GO330AD9 GOA330AD10	Brake Magnet, 120 Volt AC
8	GO330AD10 GOA330AD10	Brake Magnet, 120 Volt AC

Escalator 516 / 513MPE /
515NPE-L Auxiliary Brake

51-GAA26220A



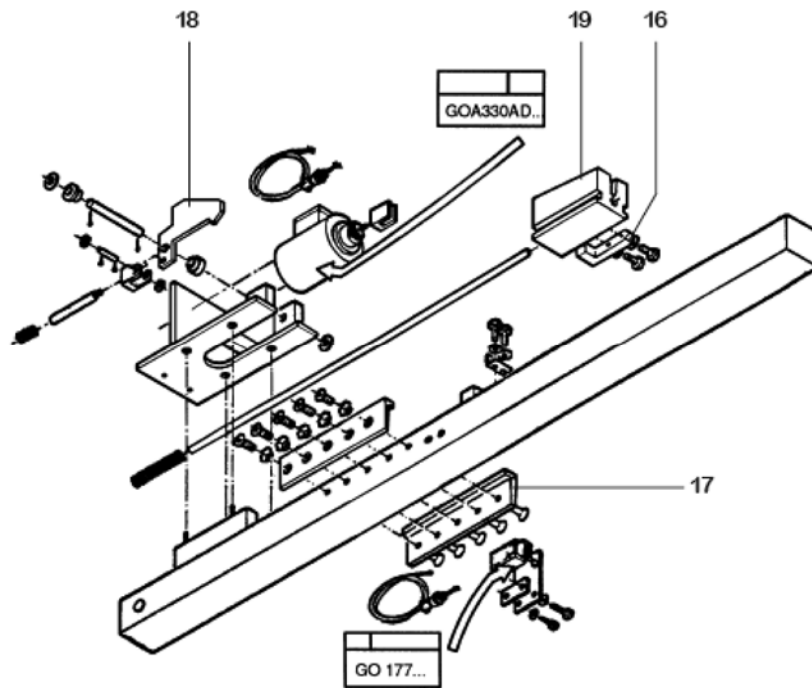
REF. No.	PART No.	DESCRIPTION
	GBA26220A	
9	GO177AM3 GOA177AM3 GAA381H1	Switch, Adapter (PG11 – M20 x 1,5)
10	GO2215J7	Angle and Hardware
11	GO2215J3	Guide and Hardware
12	GO2215J24 GO2215J5	Lever and Hardware



GBA26220A		
REF. No.	PART No.	DESCRIPTION
13	GO90BD1	Spring
14	GO90BH2	Spring
15	GOA415F5 GOA415F1	Shoe

Escalator 516 / 513MPE /
515NPE-L Auxiliary Brake

51-GAA26220A



GBA26220A		
REF. No.	PART No.	DESCRIPTION
16	GOA509J2	Angle
17	GO385EC2	Guide
18	GOA288FX1	Lever
19	GOA415F6 GOA415F1	Shoe