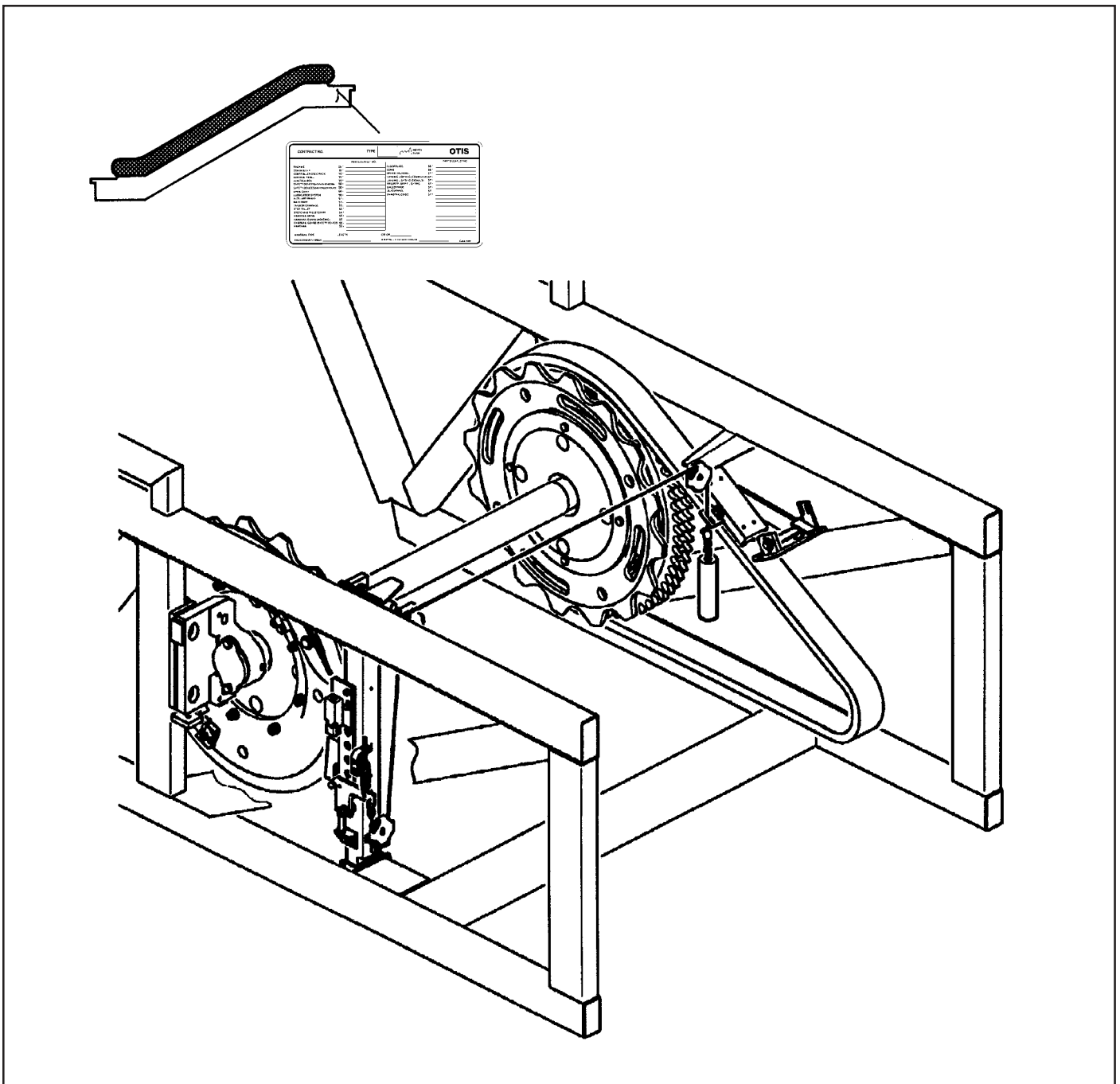
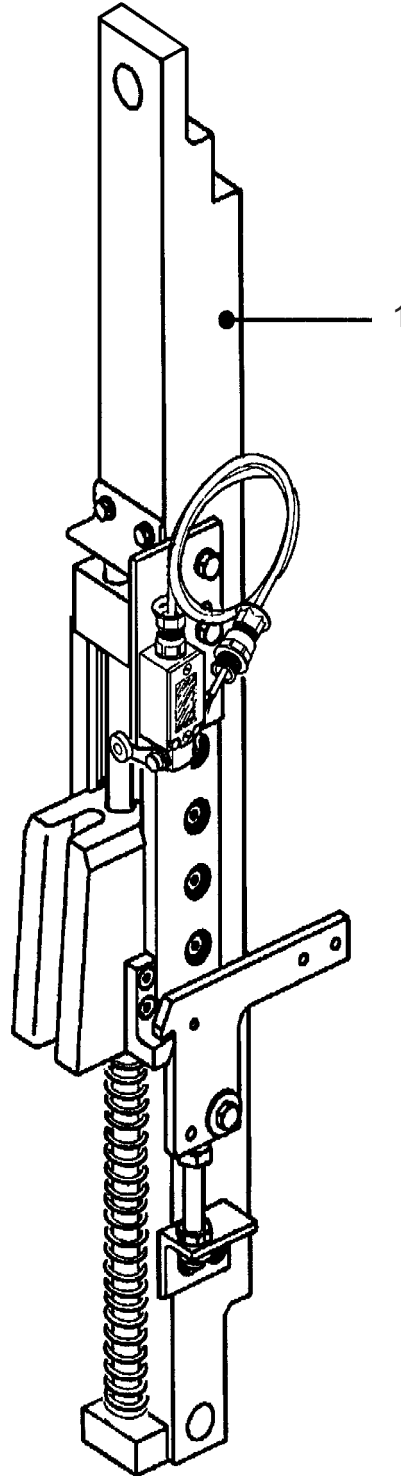


## Escalator 506NCE Auxiliary brake mechanical released

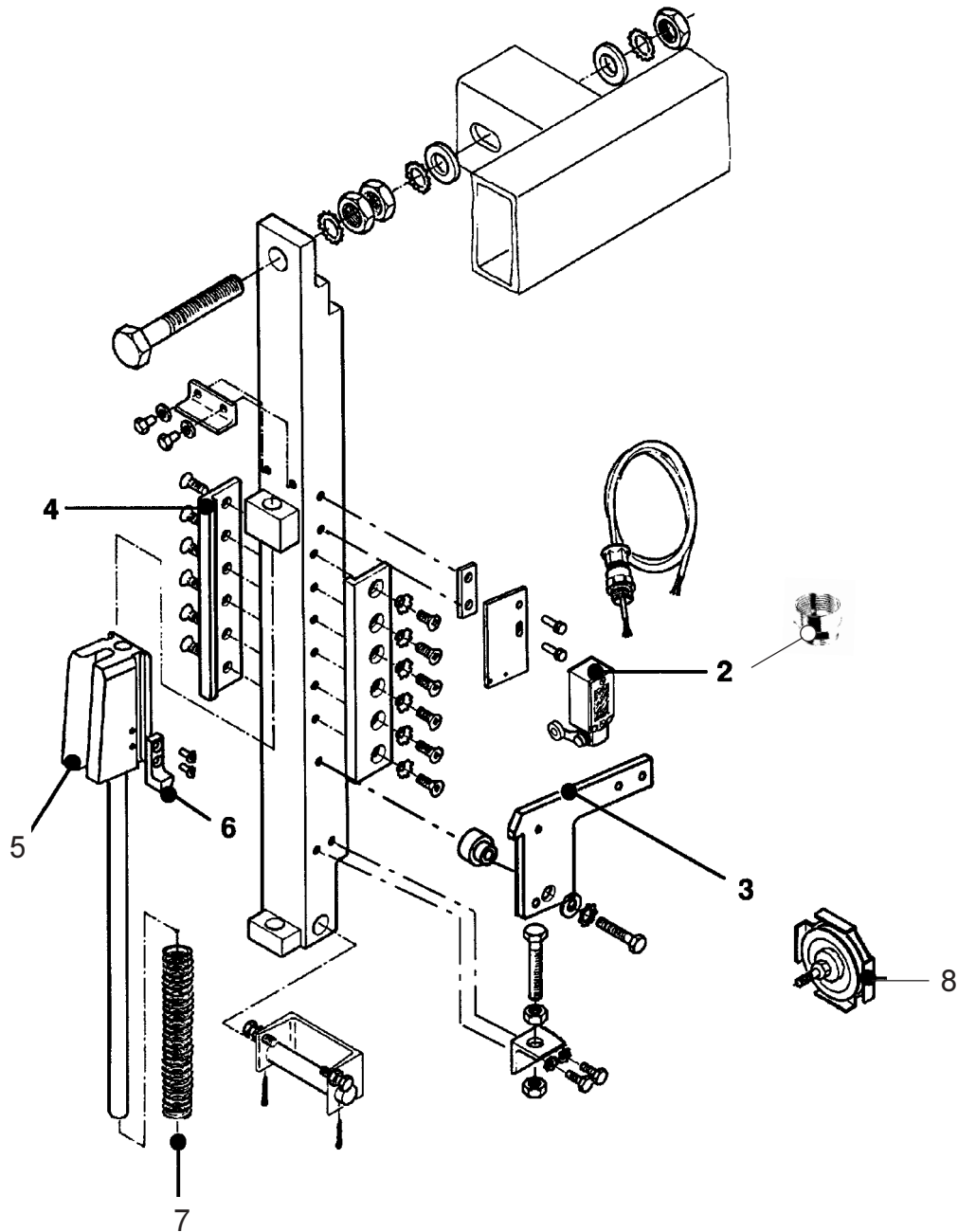
51-G..26231B






# OTIS

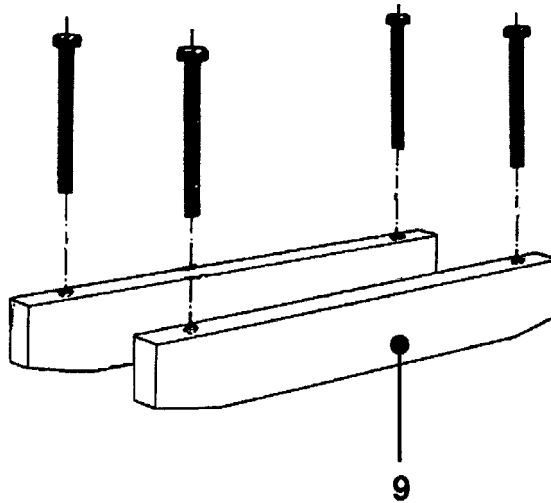
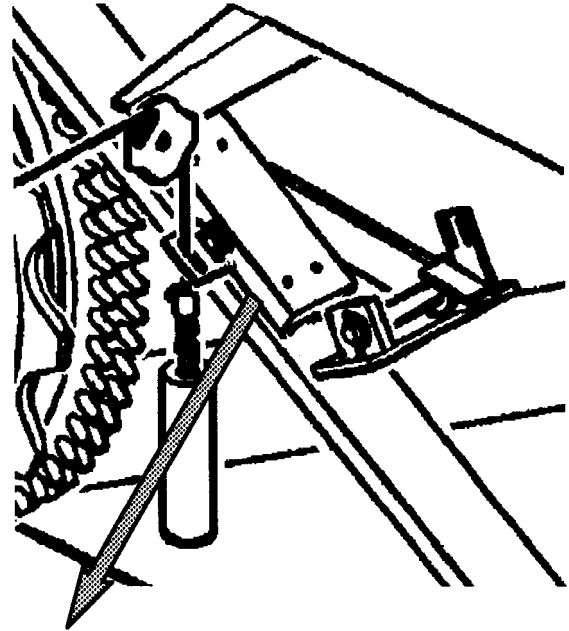


REF.No.	PART No.	DESCRIPTION
1	GAA26231B1	Auxiliary brake



**GAA26231B**

REF.No.	PART No.	DESCRIPTION
2	<del>GO177AM3</del> <del>GOA177AM3</del> GOB177AM3 GAA381H1	Switch Adapter (PG11 - M20x1,5)
3	GO2215J21	Lever & 
4	GO2215J3	Guide & 
5	GOA415F3	Shoe
6	GO2215J4	Hook & 
7	GO90BH2	Spring
8	GX265BD3	Sheave



<b>GAA26231B</b>		
<b>REF.No.</b>	<b>PART No.</b>	<b>DESCRIPTION</b>
9	GAA470AJ1	Shoe
	----	Filles.head screw DIN 84 M5x40 4.8 ZN
	----	Rope --- on job site