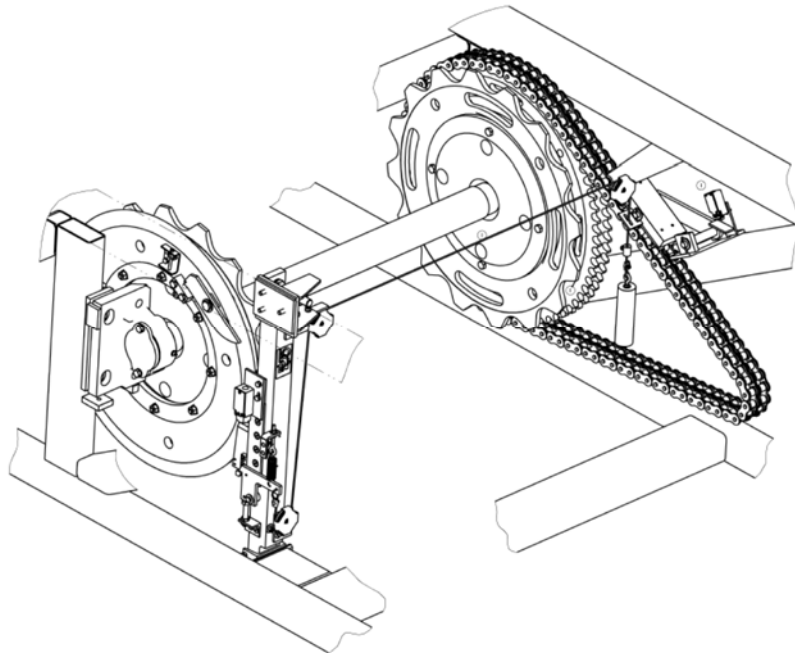
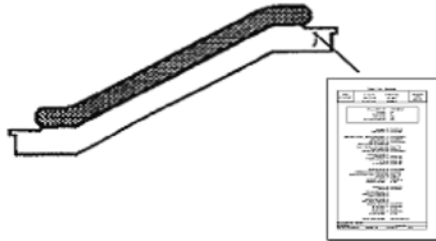


508NCE Escalator
Auxiliary Brake
Mechanically Released

Spare Parts Leaflet

51-GAA26231C

January 29, 2010 / Page 1 of 5



Unpublished Work—© Otis Elevator Co. 2010

OTIS

Safety First!

ESCALATOR ENGINEERING
Otis Elevator Company
SIT GUANGZHOU

Leaflet Description

Mechanically released auxiliary brake for 508NCE-ANSI.

Leaflet Revisions

Date Revised	Subject Matter Expert	Reason for Revision
May 8, 2009	Wan, Ji An	Original document
November 24, 2009	Wan, Ji An	GAA26231C replaced GAA26231B.
January 29, 2010	Wan, Ji An	Correct revision date at bottom

Related Drawings

Drawing No.	Title	Drawing No.	Title
GAA26231C	Mechanical Released Auxiliary Brake		

Related Documents

Document ID	Title
BOM GAA26231C	Mechanically Released Auxiliary Brake

Subject Matter Expert

Name	Department
Wan, Ji An	SIT-GUANGZHOU

About Spare Parts Leaflets...

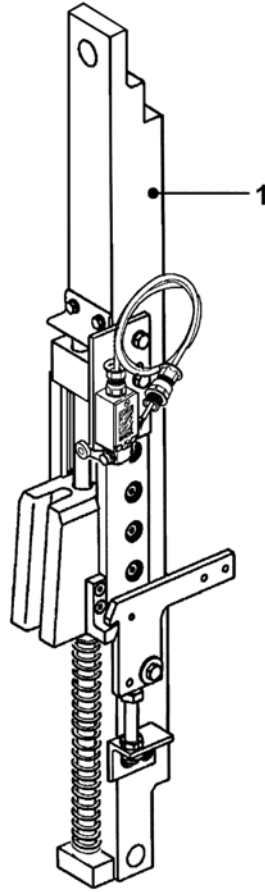
This document lists the lowest replaceable units (LRUs) for the standard version of the product. The LRUs are chosen by a team of Otis associates representing engineering and manufacturing.

While goal of this document is to make parts identification as easy as possible, the document cannot be all-inclusive. Elevator and escalator contracts classified as "special" or "custom" are not addressed here. For such contracts, please refer to specified information, the contract folder, TIPs, Field Education Articles, Construction Letters, etc. for further information.

If you have any suggestions about this document, please contact the subject matter expert listed on this page.

508NCE Escalator Auxiliary Brake
Magnetically Released

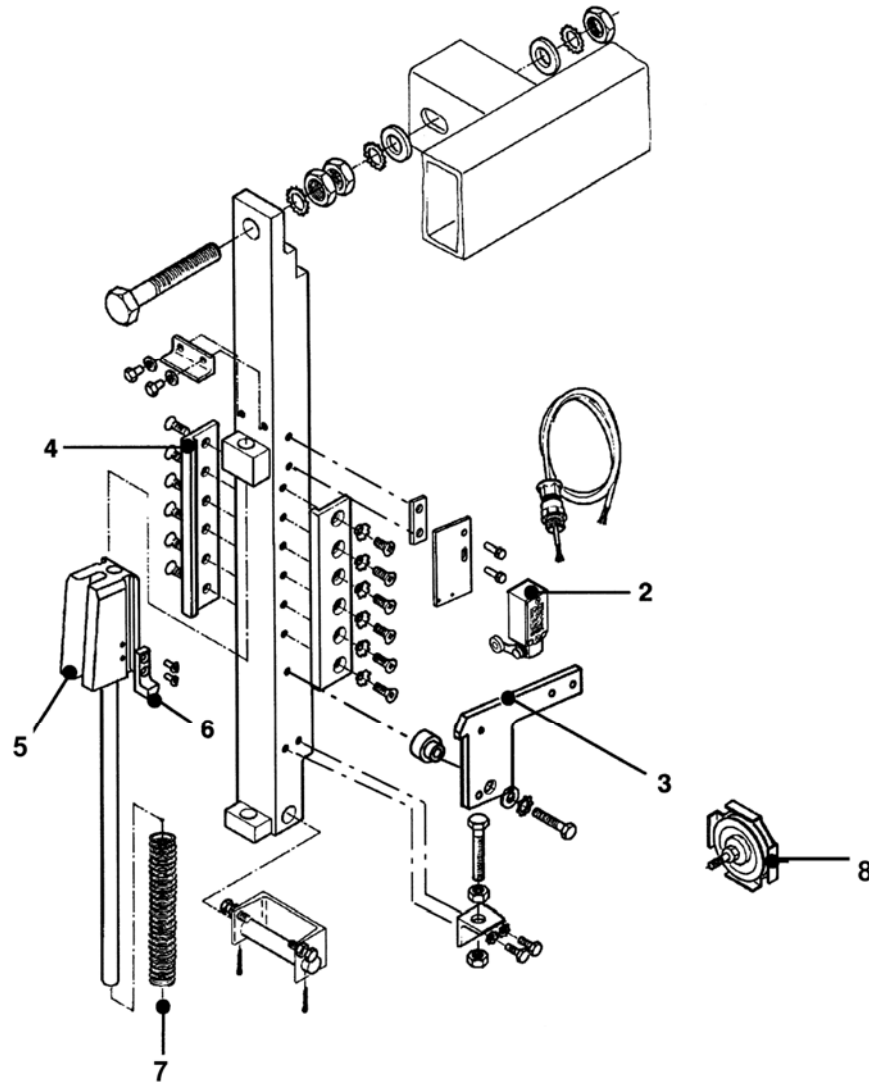
51-GAA26231C






GAA26231C		
REF. No.	PART No.	DESCRIPTION
1	GAA26231B1	Auxiliary Brake

508NCE Escalator Auxiliary Brake Magnetically Released

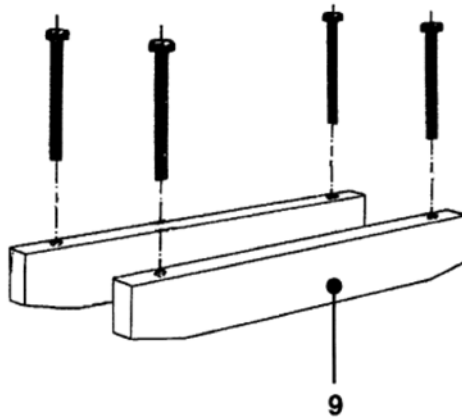
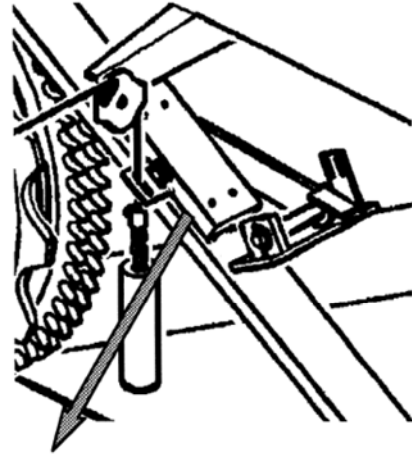
51-GAA26231C



GAA26231C		
REF. No.	PART No.	DESCRIPTION
2	GOB177AM3	Switch
3	GO2215J21	Lever & 
4	GO2215J3	Guide & 
5	GOA415F1	Shoe
6	GO2215J4	Hook & 
7	GO90BH2	Spring
8	GX265BD3	Sheave

508NCE Escalator Auxiliary Brake
Magnetically Released

51-GAA26231C



GAA26231C		
REF. No.	PART No.	DESCRIPTION
9	GAA470AJ1	Shoe