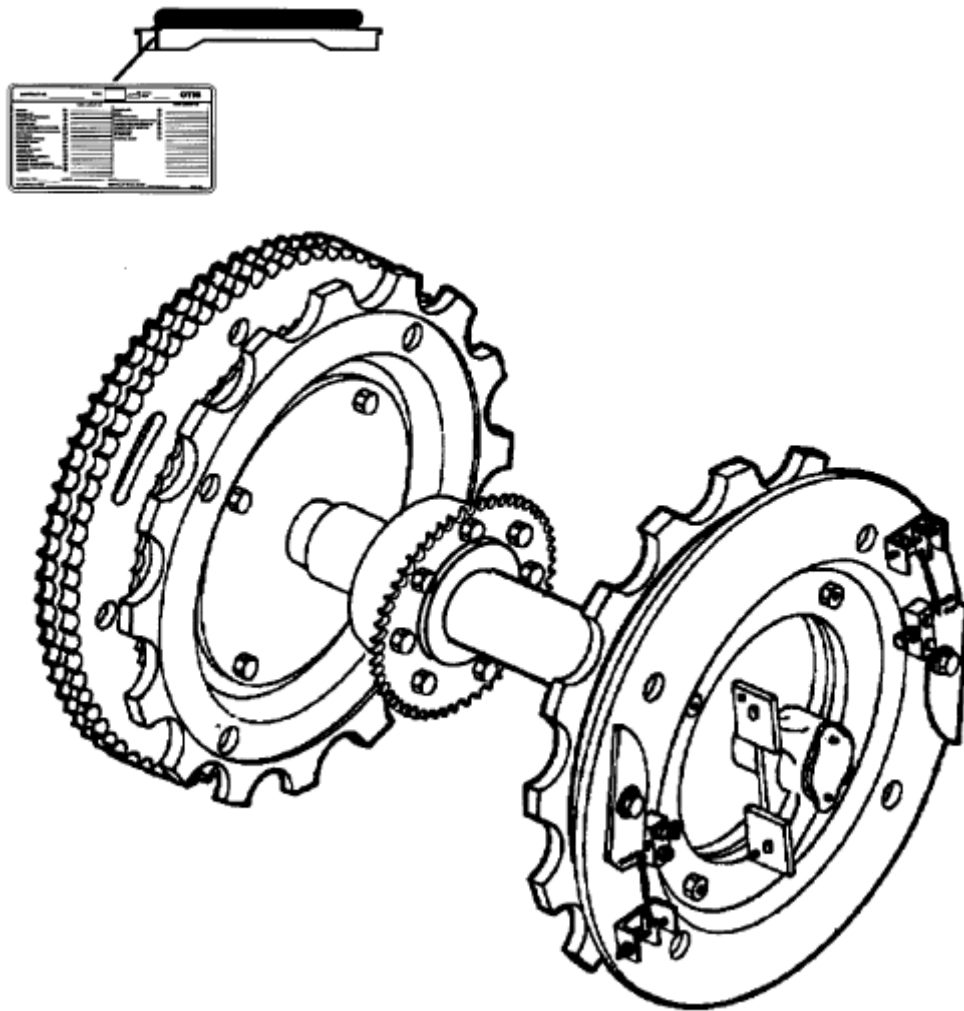


Trav-O-Lator 606 NCT  
Main Drive

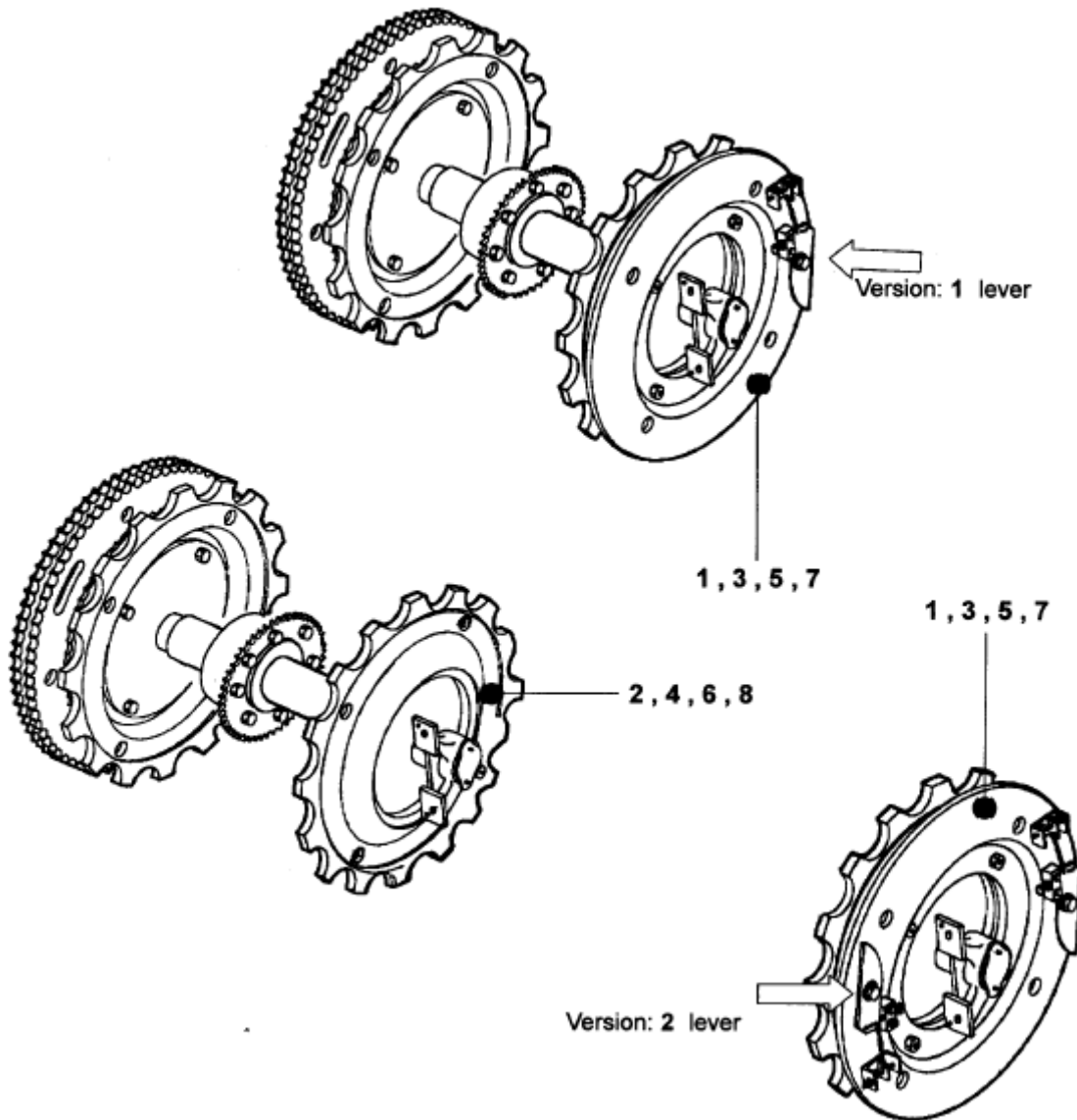
Spare Parts Leaflet

51-G..26370A

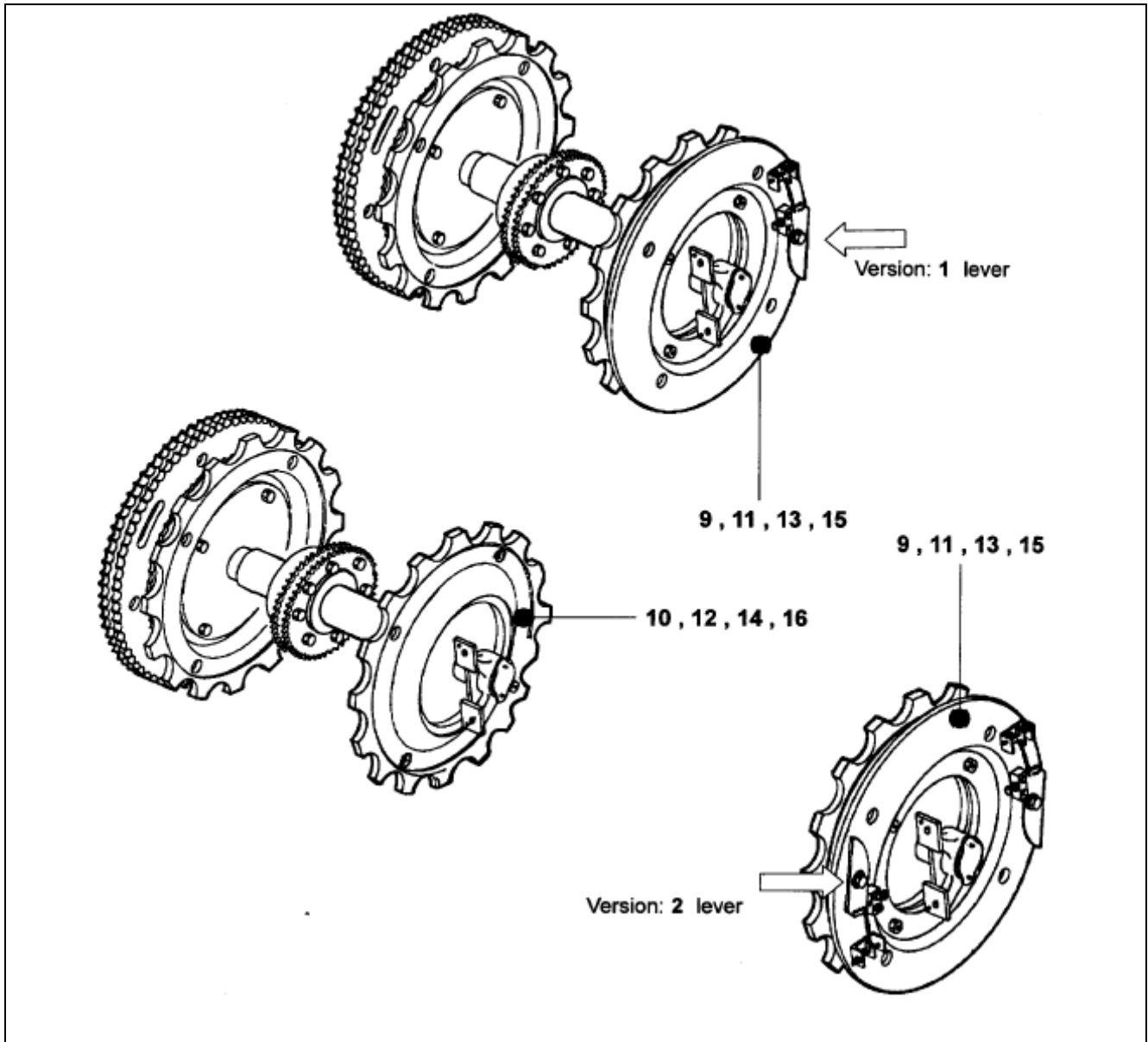
April 2000 / Page 1 of 5



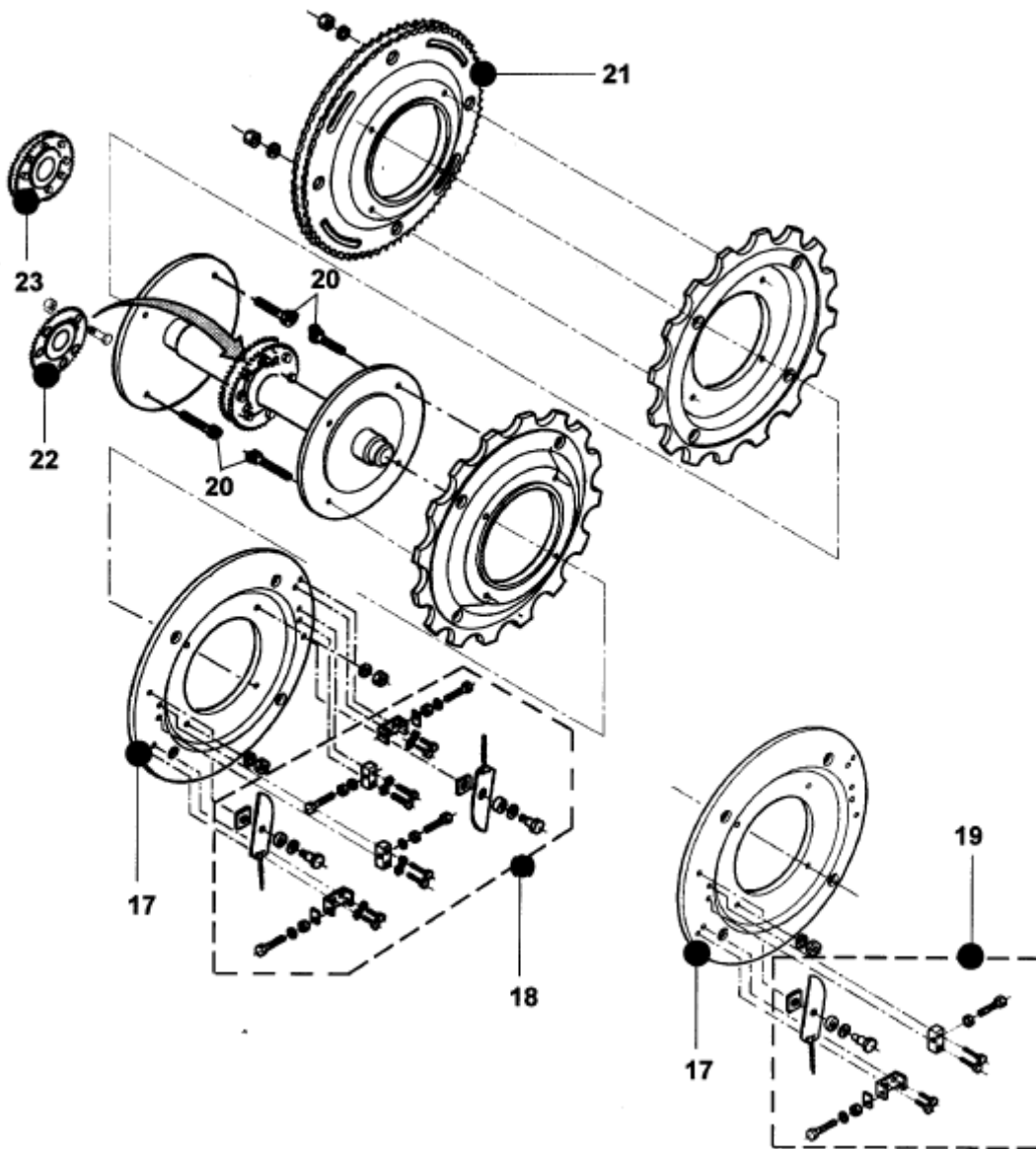
**OTIS**




GBA26370A					
REF. No.	PART No.	DESCRIPTION			TYPE
1	GBA26370A1	Main Drive w/ Brake	indoor	w/ single sprocket	800
2	GBA26370A2	Main Drive w/o Brake			
3	GBA26370A3	Main Drive w/ Brake	outdoor		
4	GBA26370A4	Main Drive w/o Brake			
5	GBA26370A5	Main Drive w/ Brake	indoor	1000	
6	GBA26370A6	Main Drive w/o Brake			
7	GBA26370A7	Main Drive w/ Brake	outdoor		
8	GBA26370A8	Main Drive w/o Brake			

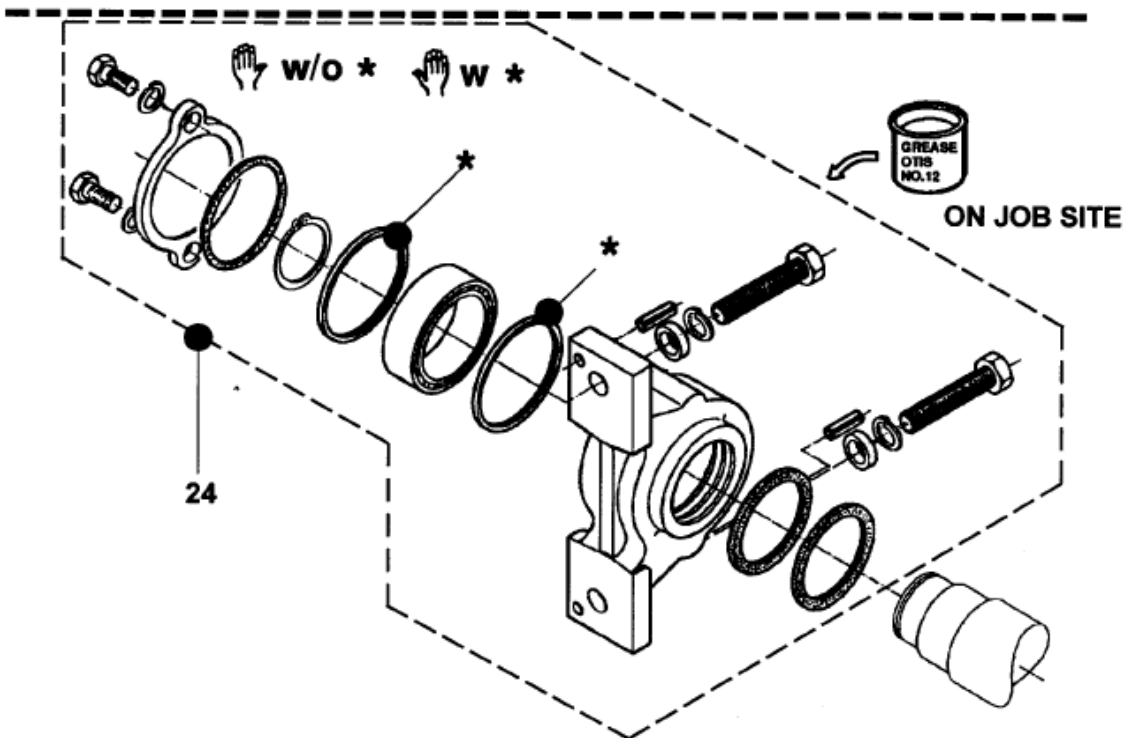
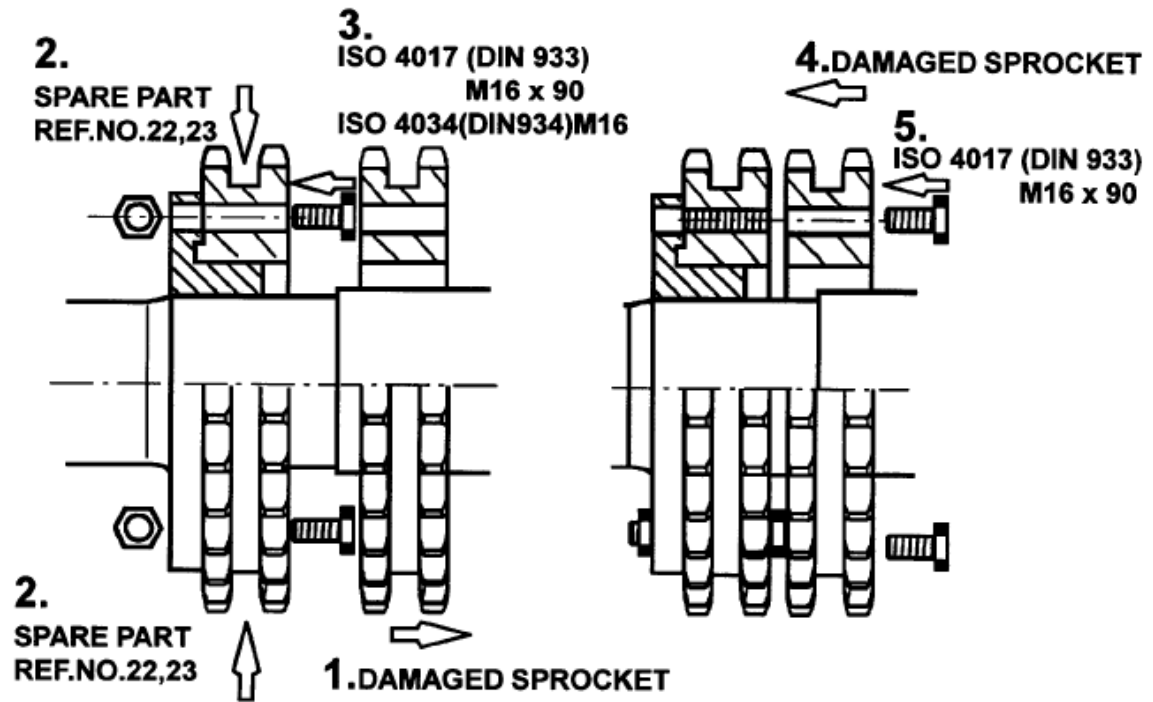


GBA26370A		DESCRIPTION			TYPE
REF. No.	PART No.				
9	GBA26370A9	Main Drive w/ Brake	indoor	w/ duplex sprocket	800
10	GBA26370A10	Main Drive w/o Brake			
11	GBA26370A11	Main Drive w/ Brake	outdoor		
12	GBA26370A12	Main Drive w/o Brake			
13	GBA26370A13	Main Drive w/ Brake	indoor		1000
14	GBA26370A14	Main Drive w/o Brake			
15	GBA26370A15	Main Drive w/ Brake	outdoor		
16	GBA26370A16	Main Drive w/o Brake			



GBA26370A

REF. No.	PART No.	DESCRIPTION
17	GO196AA1	Brake pulley, wedge type
18	GO2215H12	Set: lever for brake shoe return
19	GO2215H26	Set: lever for brake shoe return
20	GO2215H11	
21	GO195JW1	Sprocket
22	GAA195MT1	Sprocket divided, simplex
23	GAA195MT2	Sprocket divided, duplex



	GBA26370A	
REF. No.	PART No.	DESCRIPTION
24	GO2215H13	Bearing compl. 