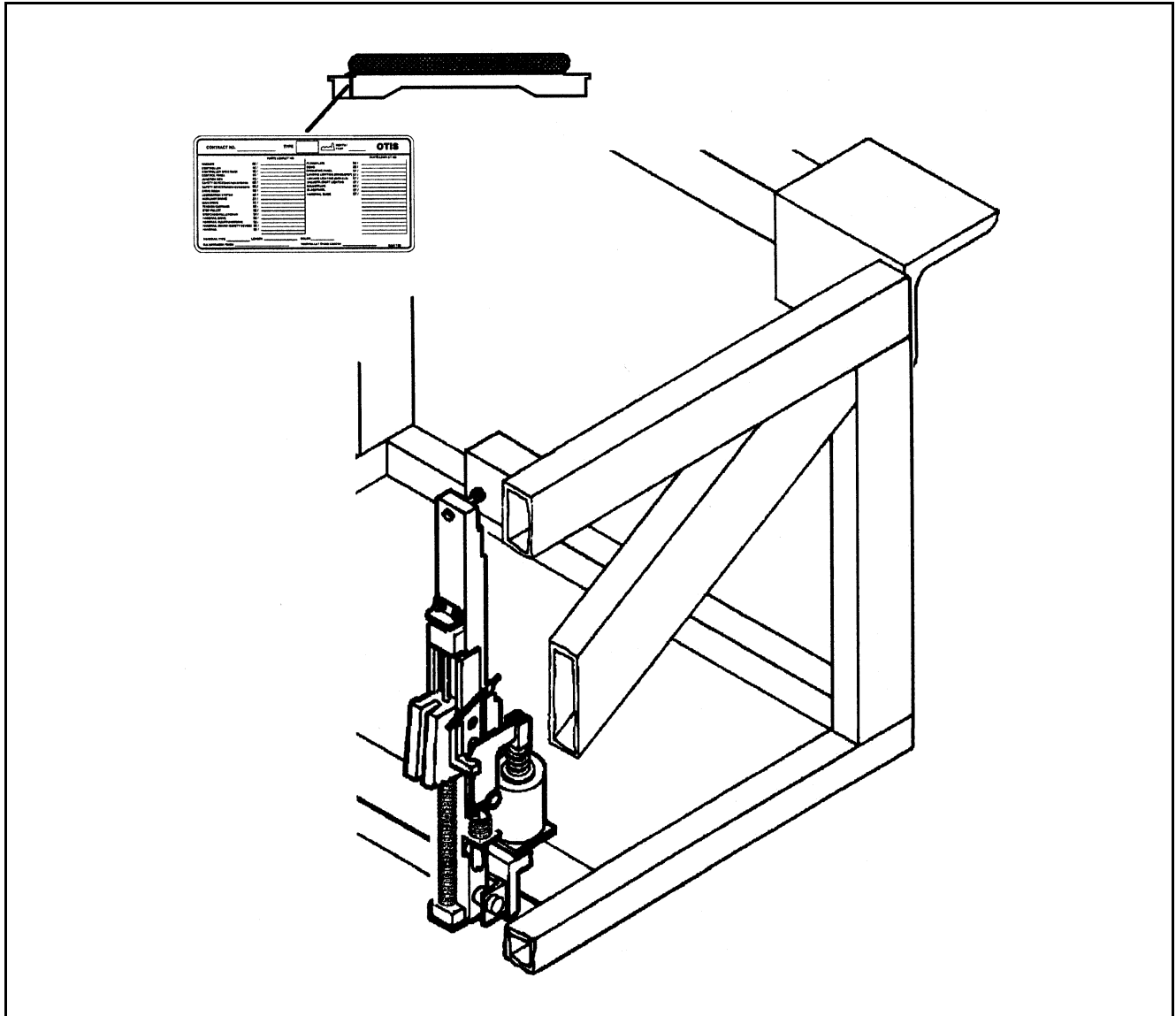


# Trav-O-Lator 606 NCT Auxiliary Brake

**Spare Parts Leaflet**

**51-G..26431A**

**November 2001 / Page 1 of 4**



Unpublished Work—© Otis Elevator Co.; 2001

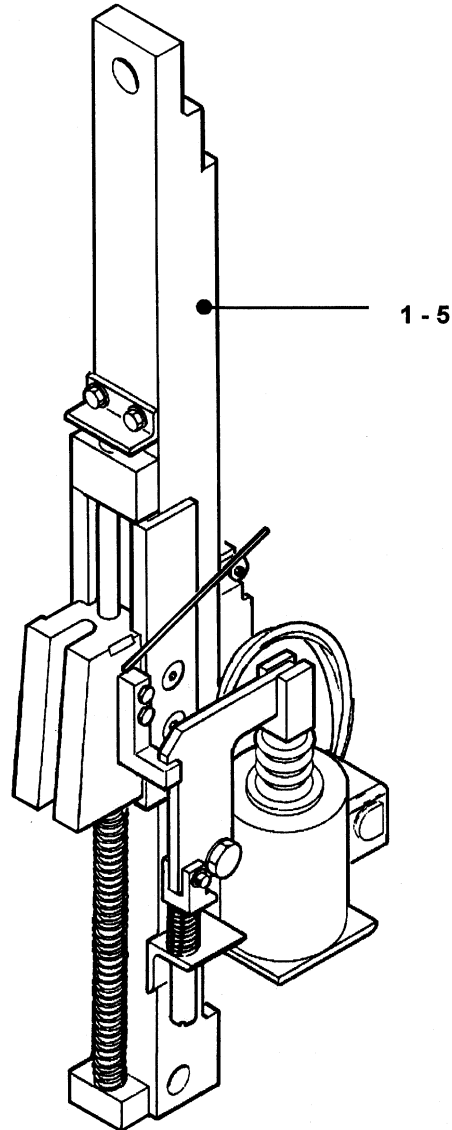
**OTIS**

**Safety First!**

**SERVICE ENGINEERING**  
Otis Elevator Company  
Bloomfield, Connecticut USA

**51-G..26431A**

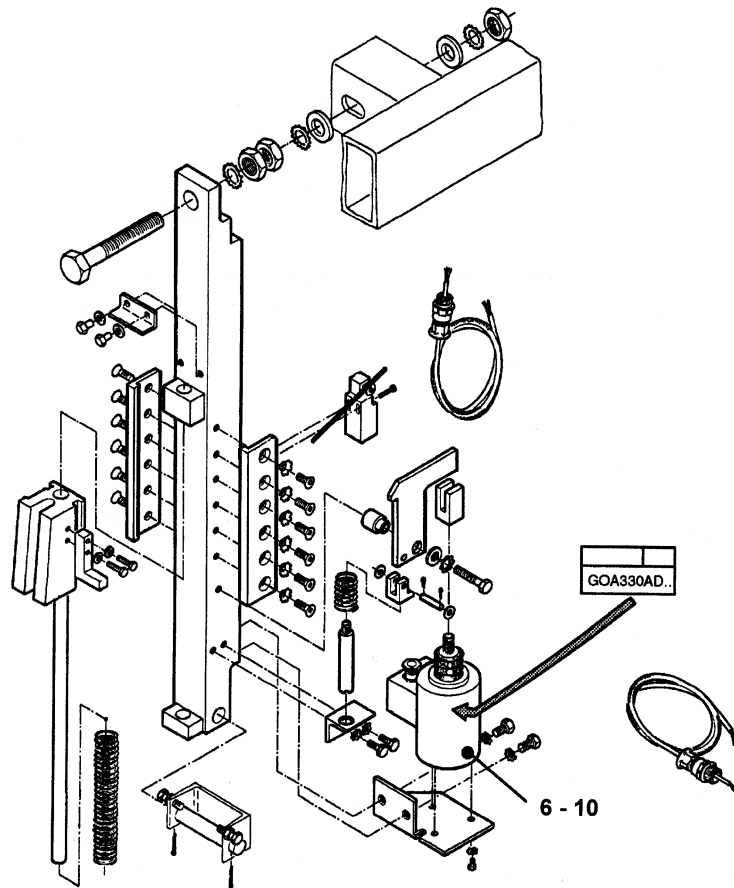
# **Trav-O-Lator 606 NCT Auxiliary Brake**



<b>GAA26431A</b>		
<b>REF. No.</b>	<b>PART No.</b>	<b>DESCRIPTION</b>
1	GAA26431A9	Auxiliary Brake 230 Volt AC
2	GAA26431A10	Auxiliary Brake 120 Volt AC
3	GAA26431A11	Auxiliary Brake 48 Volt AC
4	GAA26431A12	Auxiliary Brake 24 Volt AC
5	GAA26431A17	Auxiliary Brake 120 Volt AC

# Trav-O-Lator 606 NCT Auxiliary Brake

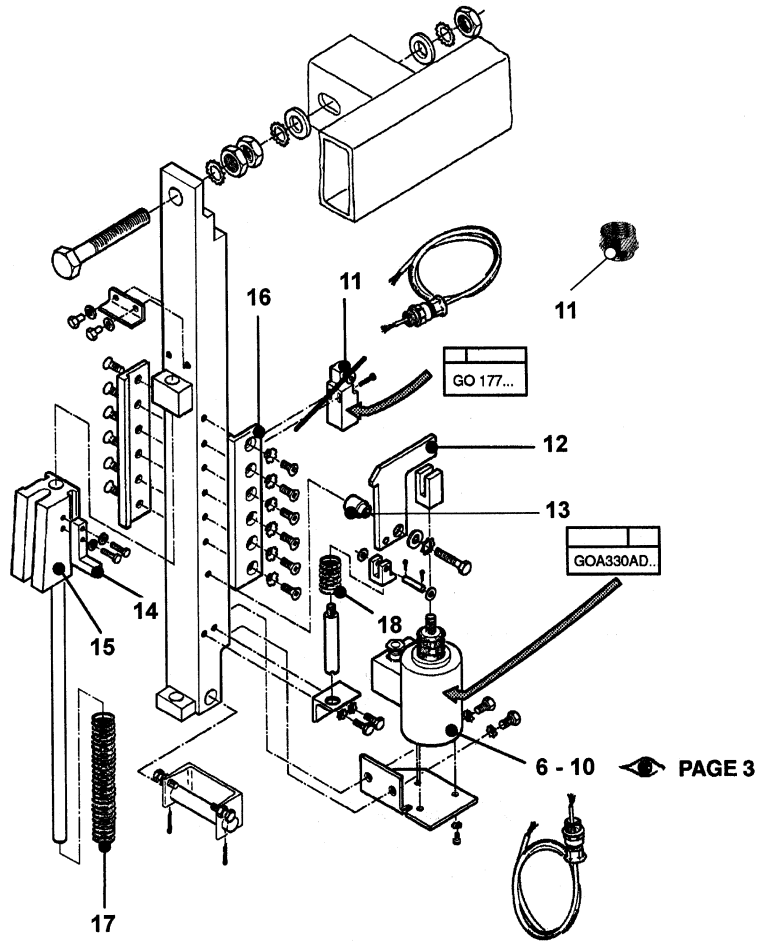
51-G..26431A



GAA26431A		
REF. No.	PART No.	DESCRIPTION
6	GOA330AD5	Brake Magnet 230 Volt AC
	GOA330AD1	
7	GOA330AD6	Brake Magnet 120 Volt AC
	GOA330AD2	
8	GOA330AD7	Brake Magnet 48 Volt AC
	GOA330AD3	
9	GOA330AD8	Brake Magnet 24 Volt AC
	GOA330AD4	
10	GOA330AD9	Brake Magnet 120 Volt AC
	GOA330AD10	

**51-G..26431A**

# Trav-O-Lator 606 NCT Auxiliary Brake



GAA26431A		
REF. No.	PART No.	DESCRIPTION
11	GO177EG1	
	GOA177FG1	Switch
	GAA381H1	Adapter (PG11-M20x1,5)
12	GO307J1	Lever
13	GO321EV1	Bushing
14	GO509P2	Angle
15	GOA415F3	Shoe
16	GO385EC2	Guide
17	GO90BH2	Spring
18	GO90BD1	Spring