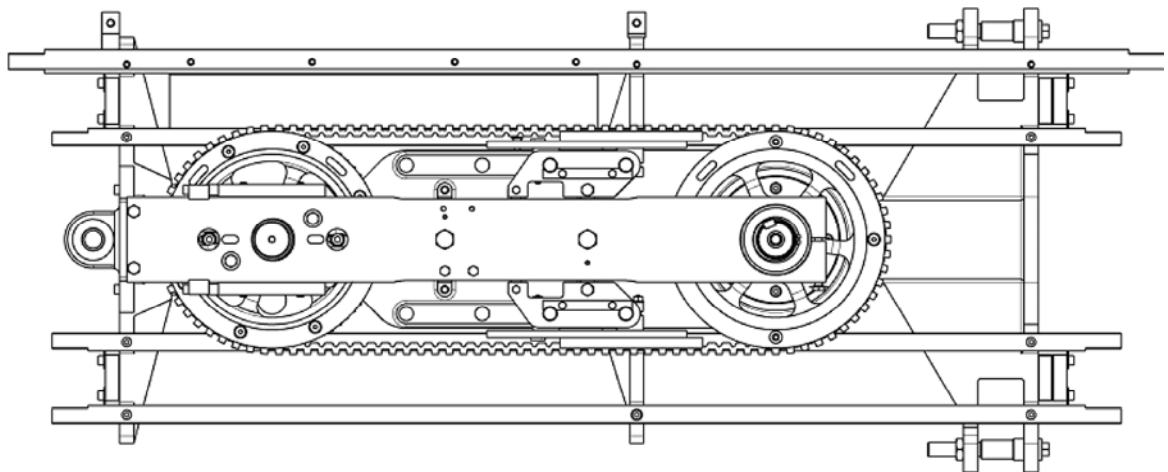
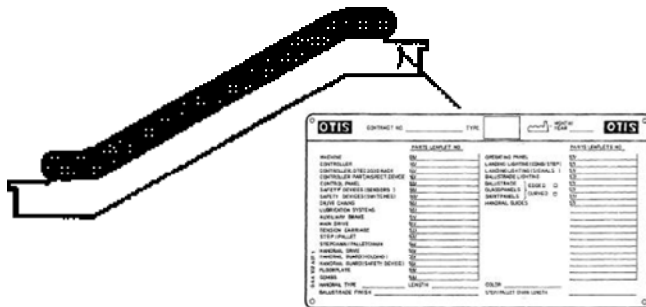


# NEXTSTEP™ ESCALATOR DRIVE UNIT

Spare Parts Leaflet

51-GCA20401R

Dec. 12, 2007 / Page 1 of 6



Unpublished Work—© Otis Elevator Co.; 2007

**OTIS**

Safety First!

ESCALATOR ENGINEERING  
Otis Elevator Company  
SIT GUANGZHOU

## Leaflet Description

NEXTSTEP™ drive unit.

### Leaflet Revisions

Date Revised	Subject Matter Expert	Reason for Revision
Jan. 10, 2006	Chen, Zheng	Separated from Machine SPL; Replace gib GAA380CE1&2 with GCA380CE1 and add LRUs-bearing housing, bearing etc.
Feb. 28, 2006	Chen, Zheng	Original REF. No. 7 & 8 "coupling of synchronous shaft" are deleted.
May 31, 2006	Chen, Zheng	Main drive belt's LRU is ONE PAIR.
April 19, 2007	Chen, Zheng	Updated the relative parts of idler pulley; Repair kit of gear box shaft GAA494NT1 was added.
Dec. 12,2007	Chen, Zheng	GAA195PN3 & GAA127HV1 deleted on page 4; GBA494NQ1 assembly drw. added on page 5; GAA198AM1 and GAA198BC1 and tools added on page 6;

### Related Drawings

Drawing No.	Title	Drawing No.	Title
GCA20401R	Drive Unit	GAA494NT	Repair kit of gear box shaft

### Related Documents

Document ID	Title
BOM GCA20401R	Drive Unit
BOM GAA494NT1	Repair Kit of Gear Box Shaft

### Subject Matter Expert

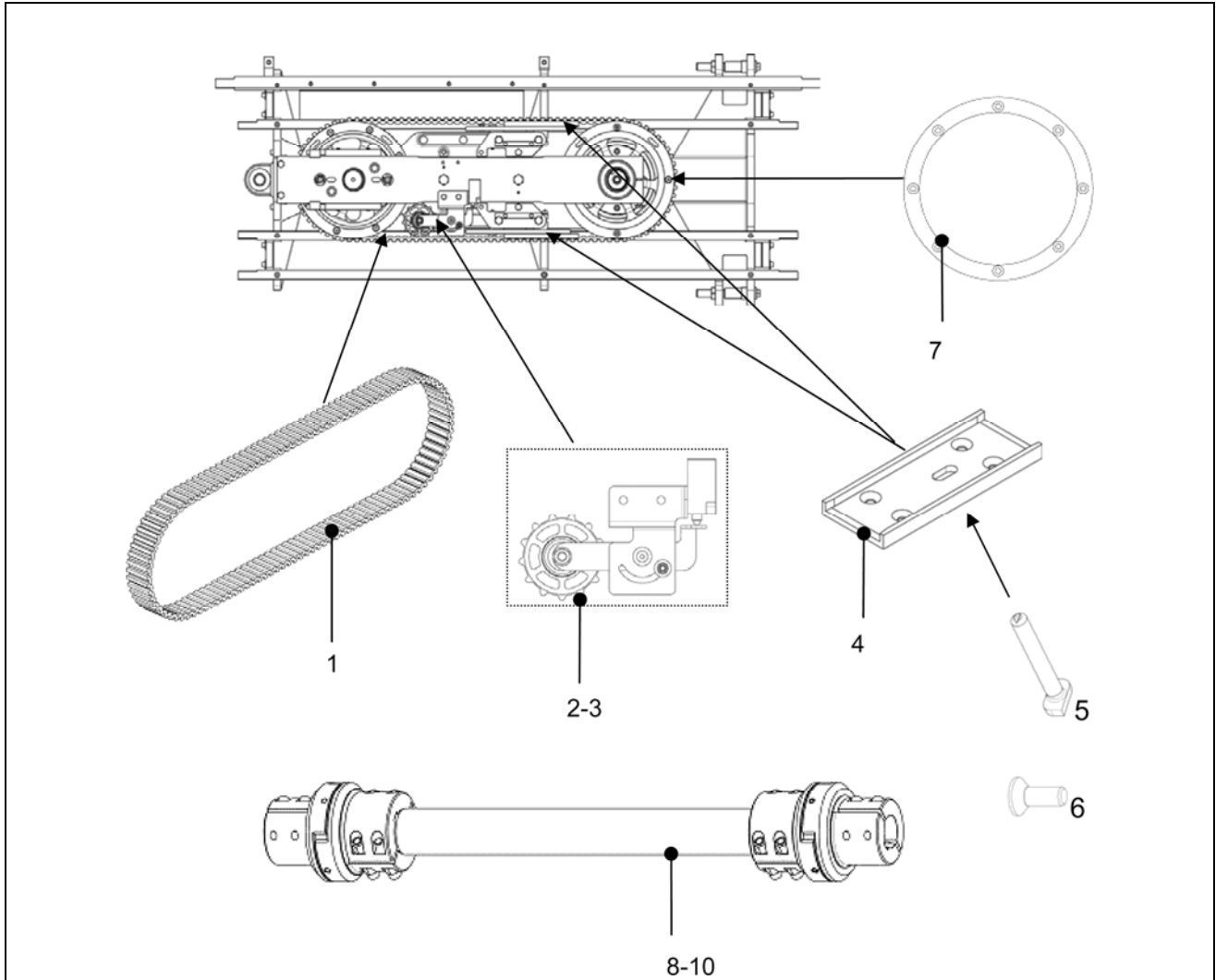
Name	Department
Chen, Zheng	SIT-GUANGZHOU

### About Spare Parts Leaflets...

This document lists the lowest replaceable units (LRUs) for the standard version of the product. The LRUs are chosen by a team of Otis associates representing engineering and manufacturing.

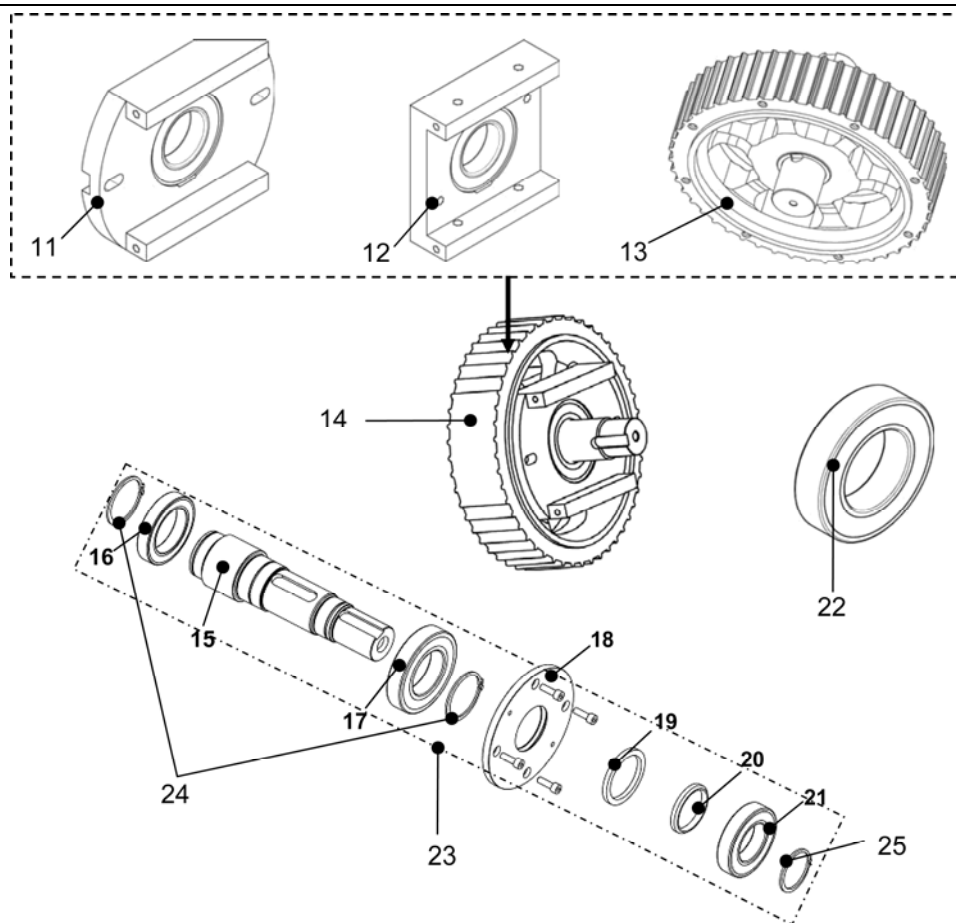
While goal of this document is to make parts identification as easy as possible, the document cannot be all-inclusive. Elevator and escalator contracts classified as "special" or "custom" are not addressed here. For such contracts, please refer to specified information, the contract folder, TIPS, Field Education Articles, Construction Letters, etc. for further information.

If you have any suggestions about this document, please contact the subject matter expert listed on this page.

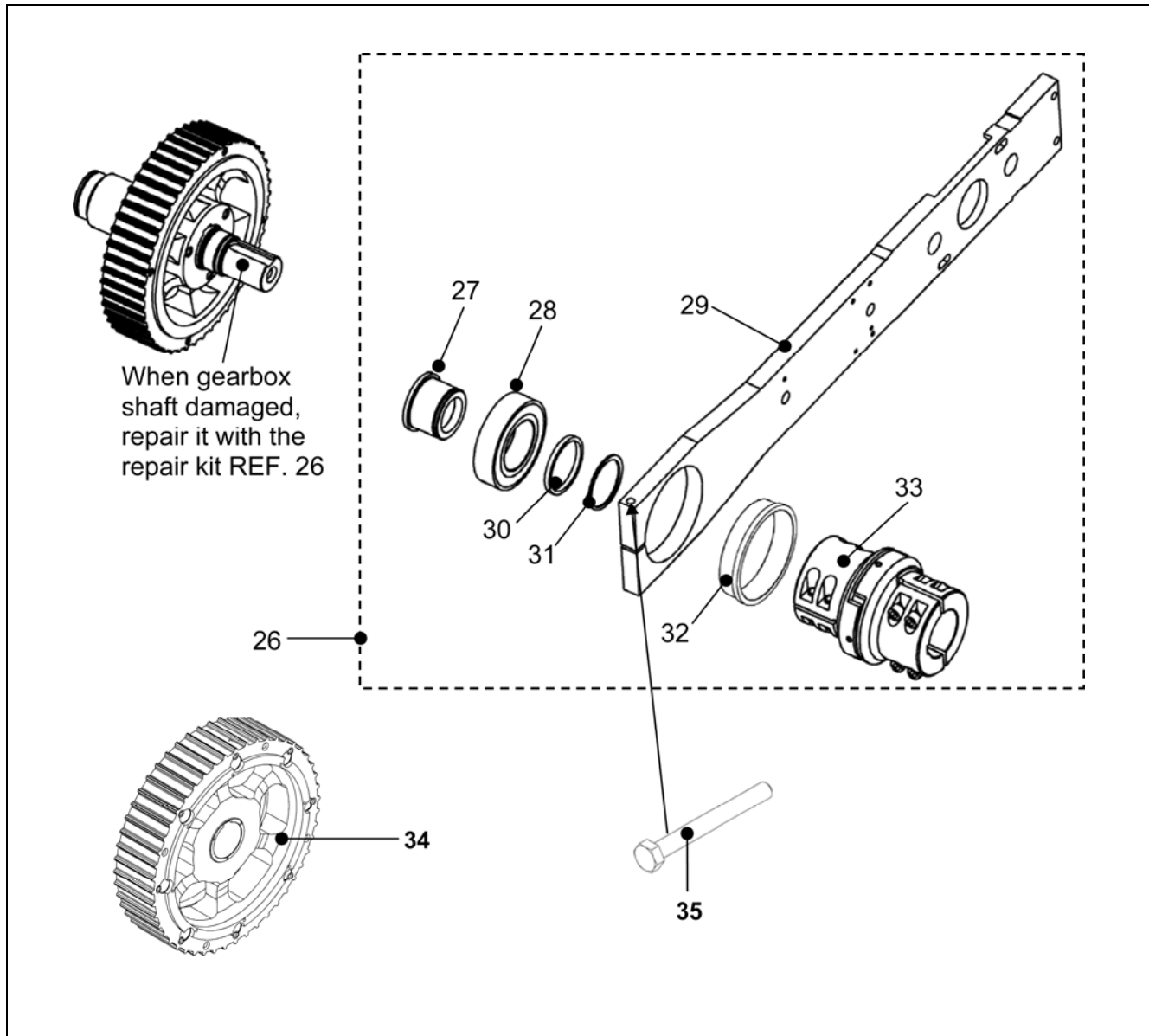


GBA20401K &  
GCA20401R

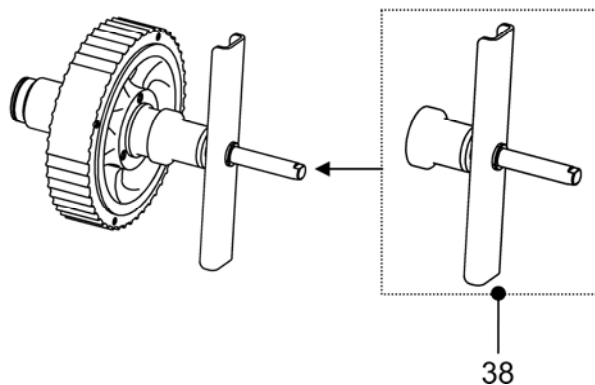
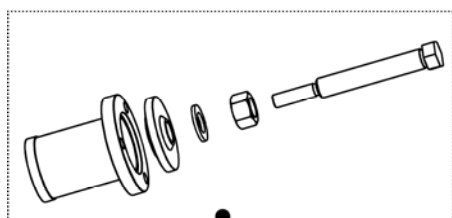
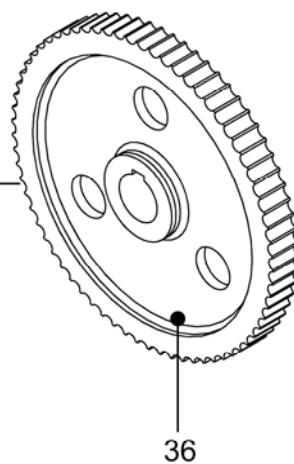
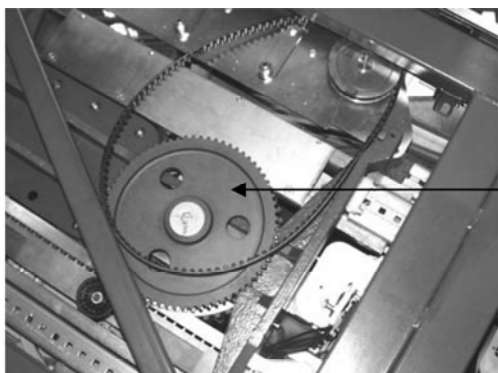
REF. No.	PART No.	DESCRIPTION
1	GAA717N1	Main Drive Belt
2	GAA26220CD1	Missing Belt Detector, Drive Unit Left Side, See SPL 10-GCA26200BA for Switch
3	GAA26220CD2	Missing Belt Detector, Drive Unit Right Side, See SPL 10-GCA26200BA for Switch
4	GCA380CE1	Gib of Belt Guide Shoe, Upper & Lower
5	GAA65DP4	T-Bolt for Fixing Gib
6	ISO10642M8X20	Screw for Fixing Gib
7	GAA195PN1	Sprocket, Outer
8	GAA494NE1	Coupling + Shaft, Type 600
9	GAA494NE2	Coupling + Shaft, Type 800
10	GAA494NE3	Coupling + Shaft, Type 1000



REF. No.	GCA20401R PART No.	DESCRIPTION
11	GCA472BX1	Bearing Housing with Ball Bearing, Outer, Left Side & Right Side
12	GCA472BX2	Bearing Housing with Ball Bearing, Inner, Left Side & Right Side
13	GBA494MY1	Shaft with Idle Pulley
14	GBA494NQ1	Assemble of Idler Pulley with Shaft, Bearing Block and Bearing
15	GAA494MZ1	Shaft of Drive Pulley
16	DIN625-6013-2RS	Ball Bearing
17	DIN625-6213-2RS	Ball Bearing
18	GAA328AA1	Cap Bearing
19	DIN 5419-65-F2	Felt Ring
20	GAA462EM1	Spacer
21	BRG 6211-2RS1/C3	Ball Bearing
22	BRG 2211E-2RS1TN9/C3	Self-Aligning Ball Bearing of Bearing Housing Both Outer and Inner
23	DAA494AQ1	The Whole Assembly, Including Shaft, Bearing, etc.
24	DIN471-65x2.5	Retaining Ring
25	DIN471-55x2	Retaining Ring



REF. No.	PART No.	DESCRIPTION
	GAA494NT	
26	GAA494NT1	Repair Kit of Gear Box Shaft
27	GAA321HV1	Inner Bushing
28	BRG 62214-2RS/C3	Ball Bearing
29	GAA374AJJ1	Frame
30	GAA462GD1	Spacer
31	GB/T 894.1 70	Retainer Ring
32	GAA321HW1	Outer Bushing
33	GAA214G1	Coupling
34	GAA198AM1	Drive Pulley
35	ISO4017 M10X100-8.8A4J	Screw



REF. No.	PART No.	DESCRIPTION
	GAA494NT	
36	GAA198BC1	Handrail Drive Belt Sprocket
37	DAA27AA2	Assembly Tool to Press Pulley on the Shaft
38	GAA124DB	Mounting Tool for Gearbox Repair Kit