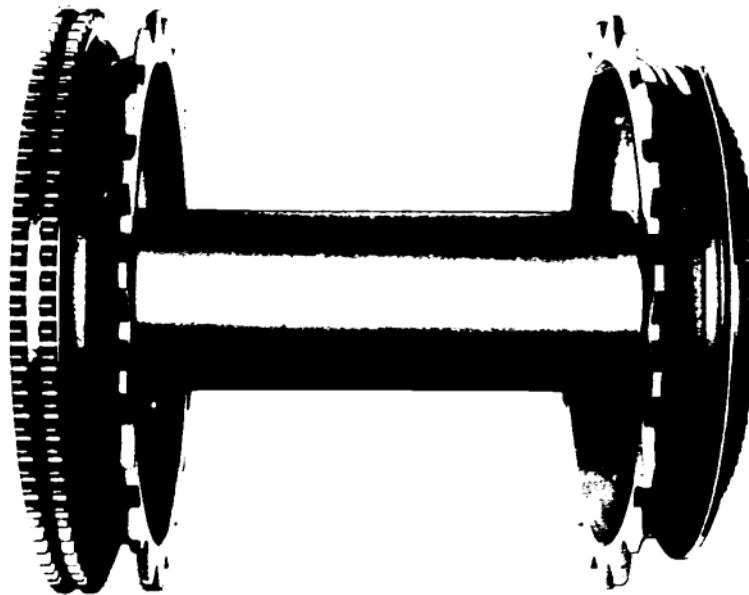
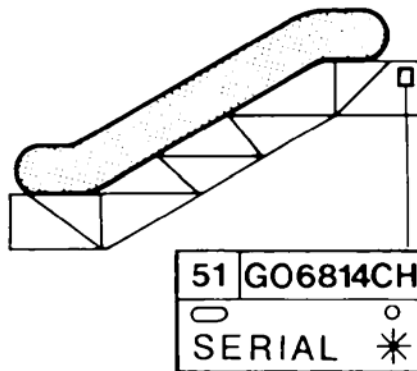


Escalator Main Drive, Shaft Bearings

Spare Parts Leaflet

51-GO6814CH

December 13, 2006 / Page 1 of 3



Unpublished Work—© Otis Elevator Co.; 2006

OTIS

Safety First!

SERVICE ENGINEERING
Otis Elevator Company
Bloomfield, Connecticut USA

Leaflet Description

This SPL describes the LRUs (lowest replaceable units) for the shaft bearings of the escalator main drive.

Leaflet Revisions

Date Revised	Subject Matter Expert	Reason for Revision
July 1976	---	New SPL (ETO publication)
December 13, 2006	Tom Charney	Update SPL for NSAA

Related Drawings

Drawing No.	Title	Drawing No.	Title
GO6814CH	Main Drive		

Related Documents

Document ID	Title
---	---

Subject Matter Expert

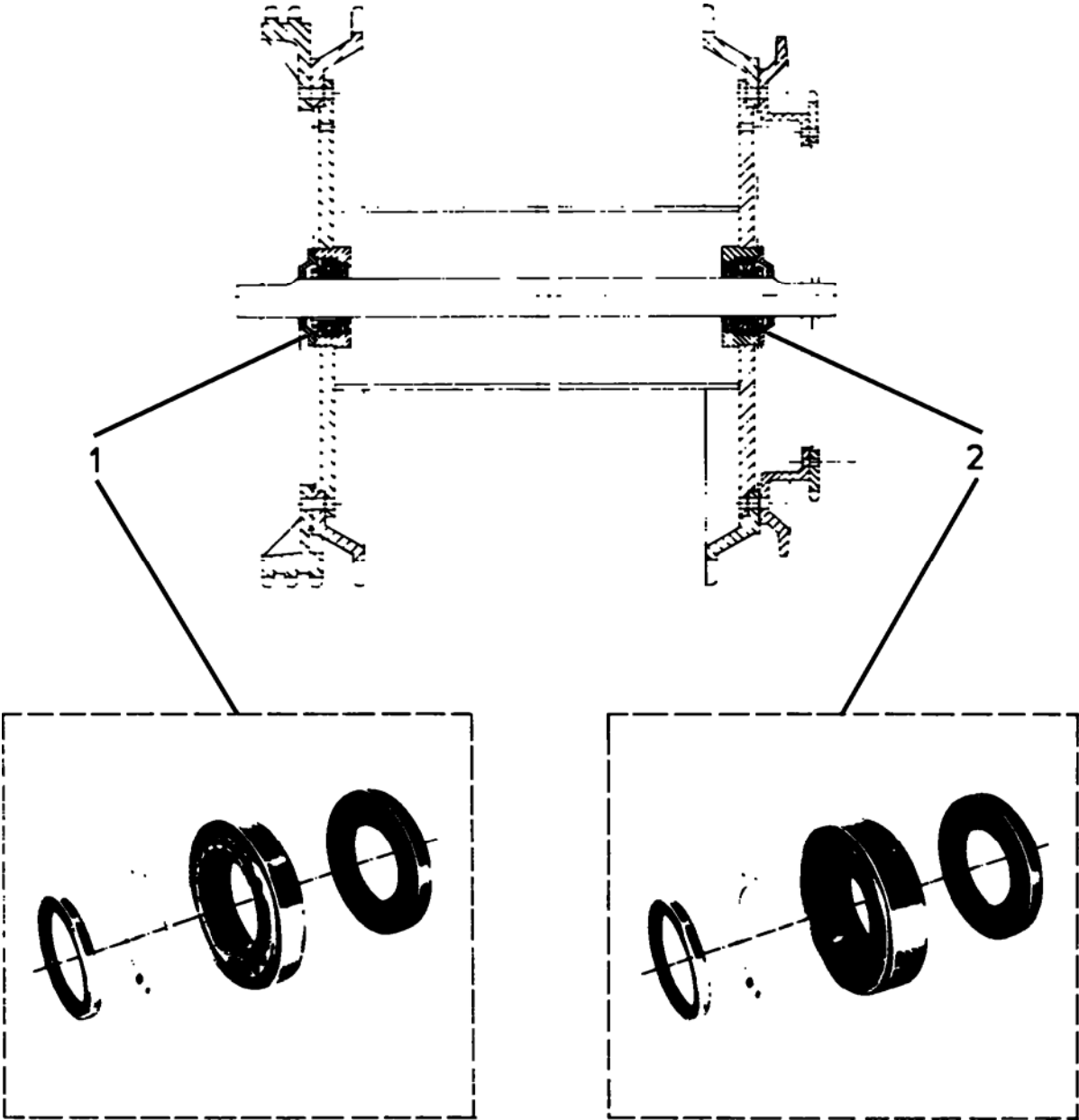
Name	Department
Tom Charney	OSC Service Engineering

About Spare Parts Leaflets...

This document lists the lowest replaceable units (LRUs) for the standard version of the product. The LRUs are chosen by a team of Otis associates representing engineering and manufacturing.

While goal of this document is to make parts identification as easy as possible, the document cannot be all-inclusive. Elevator and escalator contracts classified as "special" or "custom" are not addressed here. For such contracts, please refer to specified information, the contract folder, TIPs, Field Education Articles, Construction Letters, etc. for further information.

If you have any suggestions about this document, please contact the subject matter expert listed on this page.



		SERIAL G.01
REF. No.	DESCRIPTION	PART No.
1	Barrel Bearing Kit	GO2215H1
2	Roller Bearing Kit	GO2215H2