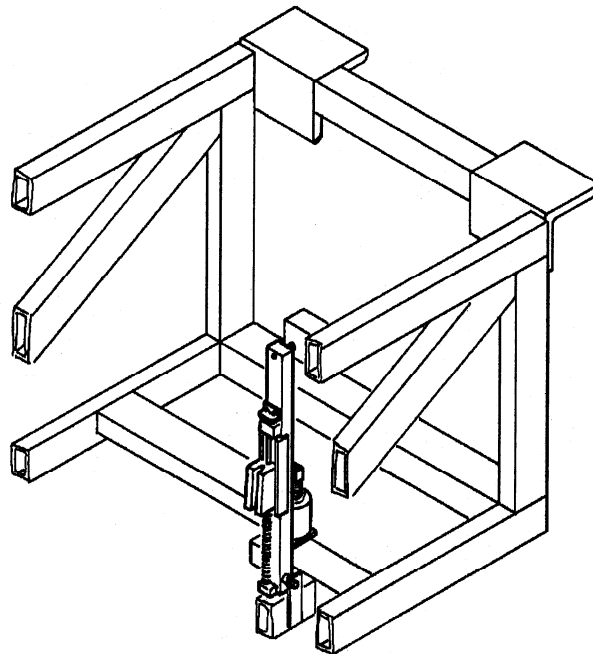
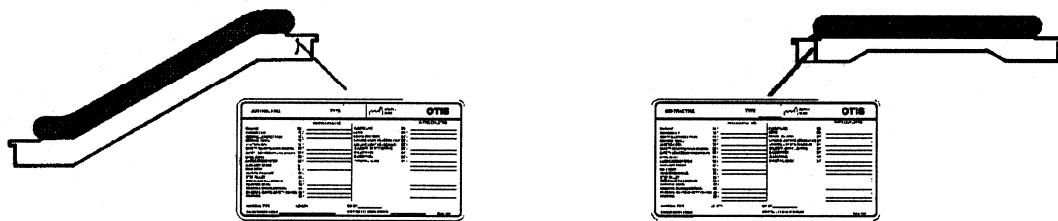


Escalator 510/513 NPE/MPE,
512 NCE/515 NPE-S,
Trav-O-Lator® 610 NPT
Auxiliary Brake

Spare Parts Leaflet
51-GO9704BX

March 30, 2010 / Page 1 of 10



Unpublished Work—© Otis Elevator Co.; 2010

OTIS

Safety First!

ESCALATOR ENGINEERING
Otis Elevator Company
SIT Guangzhou

Leaflet Description

This document shows detailed information about auxiliary brake “wedge type” mechanical or electrical released.

Leaflet Revisions

Date Revised	Subject Matter Expert	Reason for Revision
May 23, 2003	Wilfried Gohlke	Part No. Corrected
March 30, 2010	Wan Ji An	Add product types 512NCE & 515NPE-S

Related Drawings

Drawing No.	Title	Drawing No.	Title
GO9704BX	Emergency Brake		

Related Documents

Document ID	Title

Subject Matter Expert

Name	Department
Thorsten Ackmann	Engineering Stadthagen, Germany

About Spare Parts Leaflets...

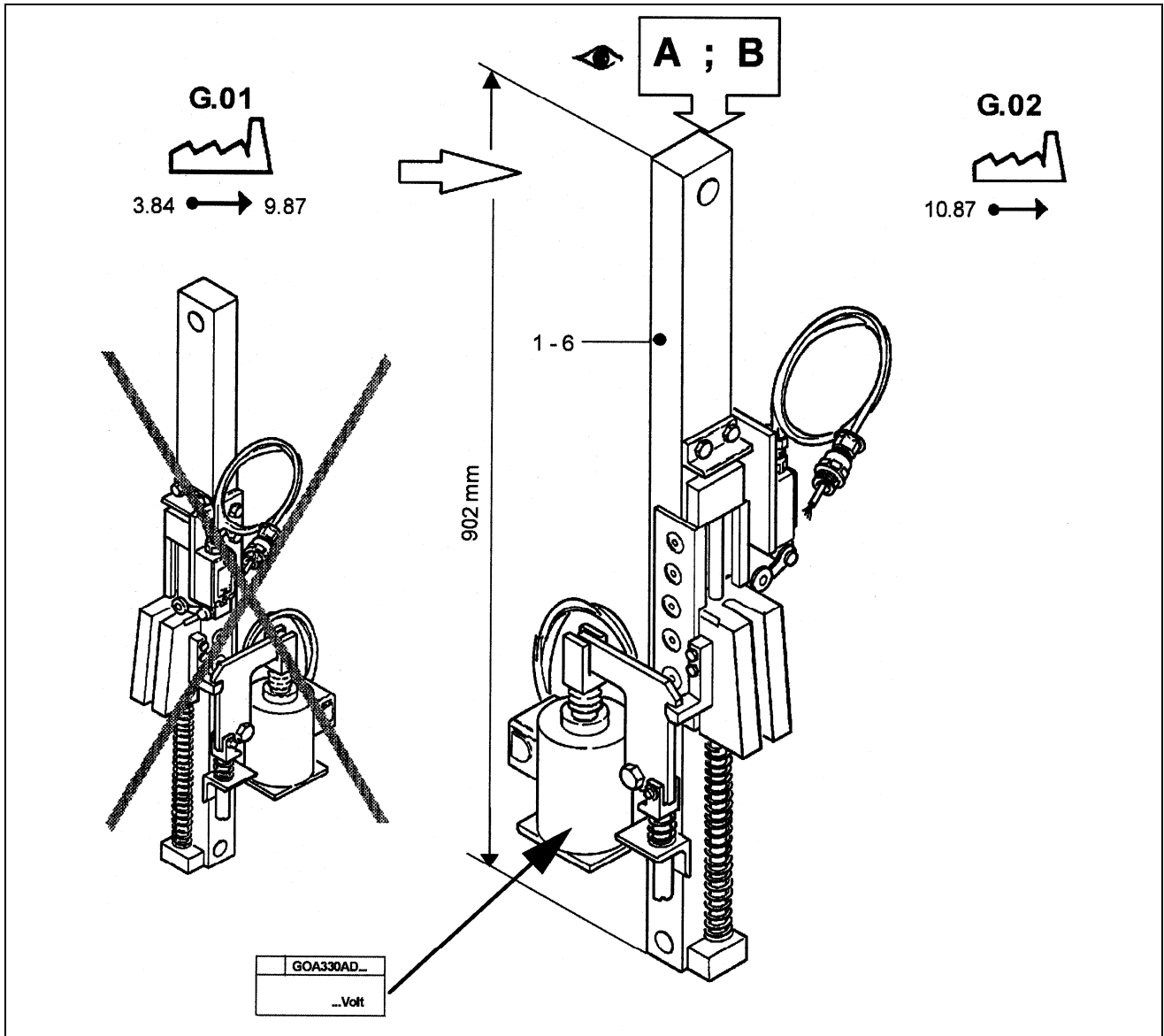
This document lists the lowest replaceable units (LRUs) for the standard version of the product. The LRUs are chosen by a team of Otis associates representing engineering and manufacturing.

While goal of this document is to make parts identification as easy as possible, the document cannot be all-inclusive. Elevator and escalator contracts classified as “special” or “custom” are not addressed here. For such contracts, please refer to specified information, the contract folder, TIPs, Field Education Articles, Construction Letters, etc. for further information.

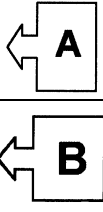
If you have any suggestions about this document, please contact the subject matter expert listed on this page.

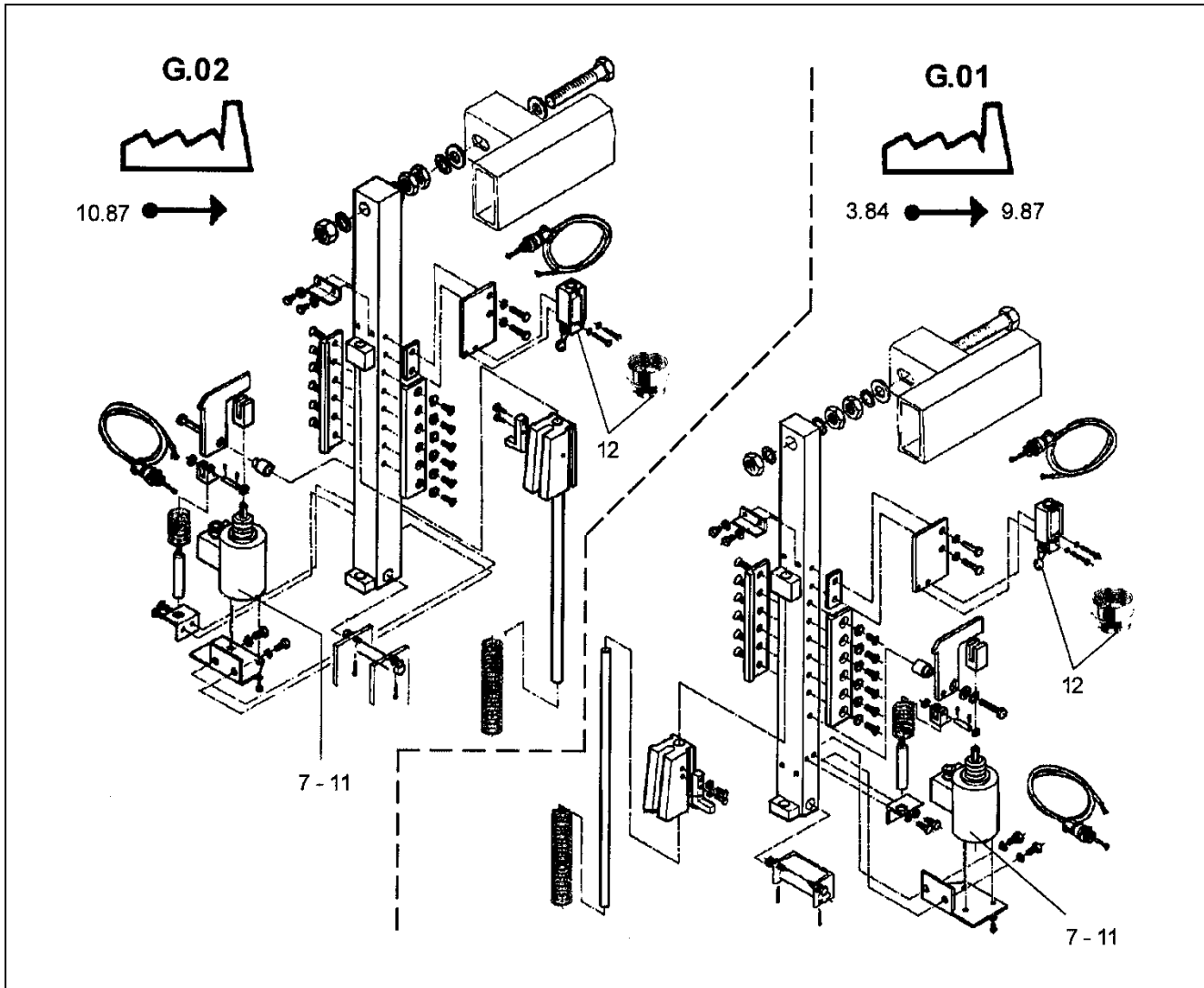
Escalator 510 / 513 NPE/MPE
515 NPE-S Auxiliary Brake


51-GO9704BX



REF. No.	PART No.	DESCRIPTION
	GO9704BX	
1	GO9704BX4	Auxiliary Brake 24 Volt
2	GO9704BX5	Auxiliary Brake 120 Volt
3	GO9704BX6	Auxiliary Brake 230 Volt
4	GO9704BX8	Auxiliary Brake 48 Volt
5	GO9704BX11	Auxiliary Brake 110 Volt
	GO9704BX14	Auxiliary Brake 120 Volt
6	GO9704BX12	Auxiliary Brake 230 Volt

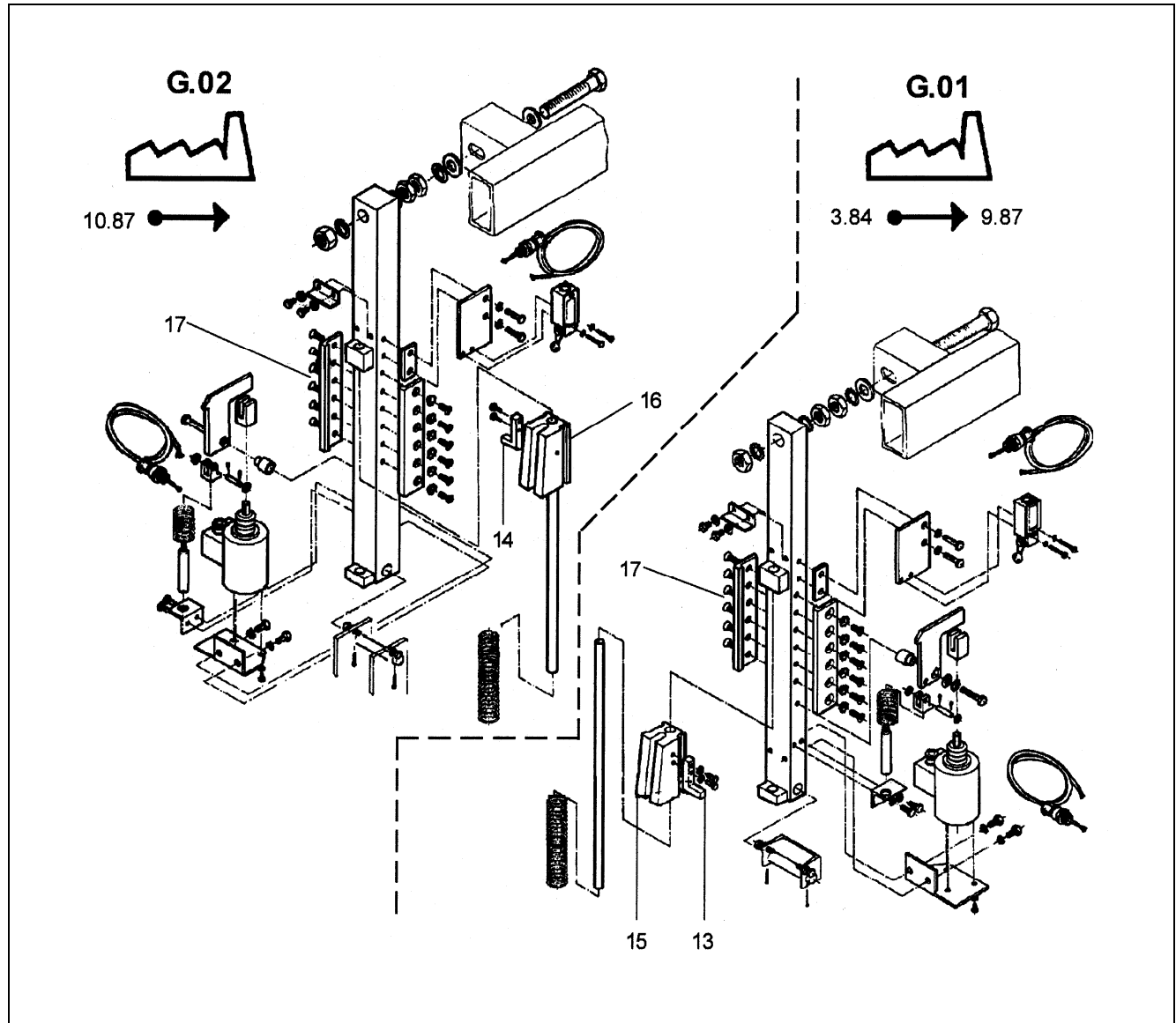




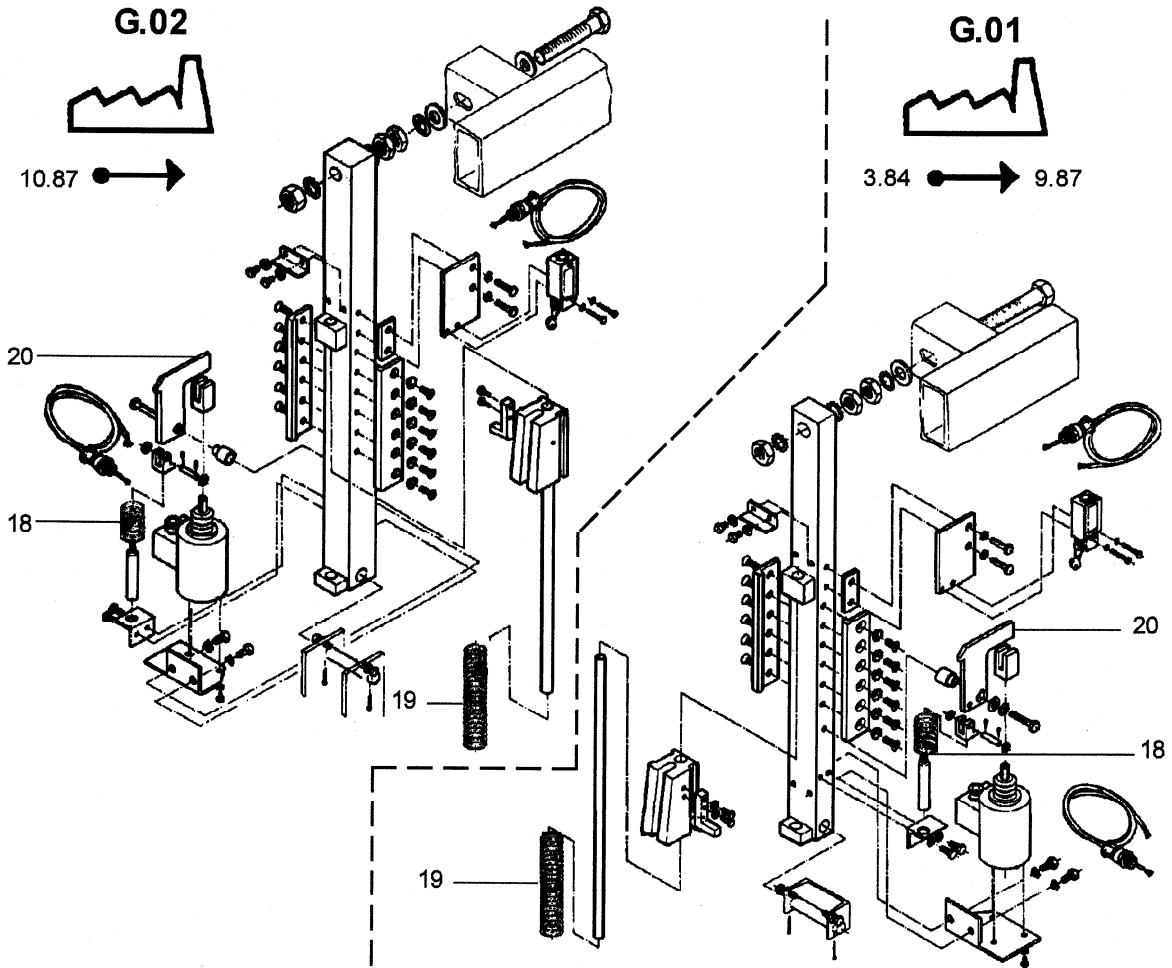
REF. No.	PART No.	DESCRIPTION
	GO9704BX	
7	GO330AD4 GOA330AD1	Brake Magnet 230 VoltAC
8	GOA330AD6 GOA330AD2	Brake Magnet 120 VoltAC
9	GO330AD3 GOA330AD3	Brake Magnet 48 VoltAC
10	GO330AD4 GOA330AD4	Brake Magnet 24 VoltAC
11	GOA330AD9 GOA330AD10	Brake Magnet 120 VoltAC 
12	GO177AM3 GOA177AM3	Switch
	GAA381H1	Adapter (PG11-M20 x 1,5)

Escalator 510/513 NPE/MPE,
515 NPE-S Auxiliary Brake


51-GO9704BX

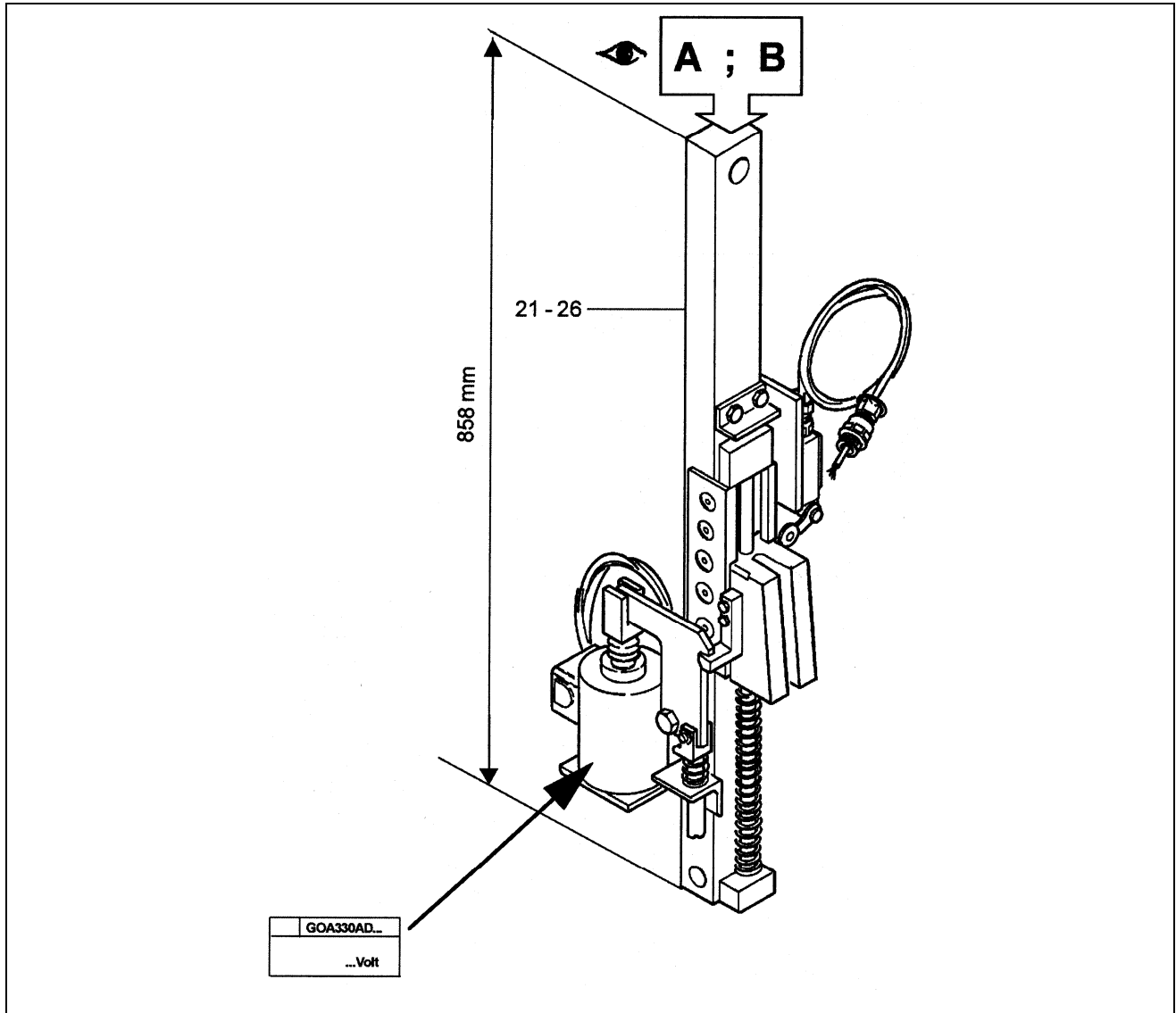


REF. No.	VINTAGE		DESCRIPTION
	G.01	G.02	
	PART No.		
13	GO2215J6	---	Angle &
14	---	GO2215J7	Angle &
15	GOA415F3	---	Shoe
16	---	GOA415F6	Shoe
17	GO2215J3		Guide &



VINTAGE	
G.01	G.02

REF. No.	PART No.	DESCRIPTION
18	GO90BD1	Spring
19	GO90BH2	Spring
20	GO2215J5	Lever & 

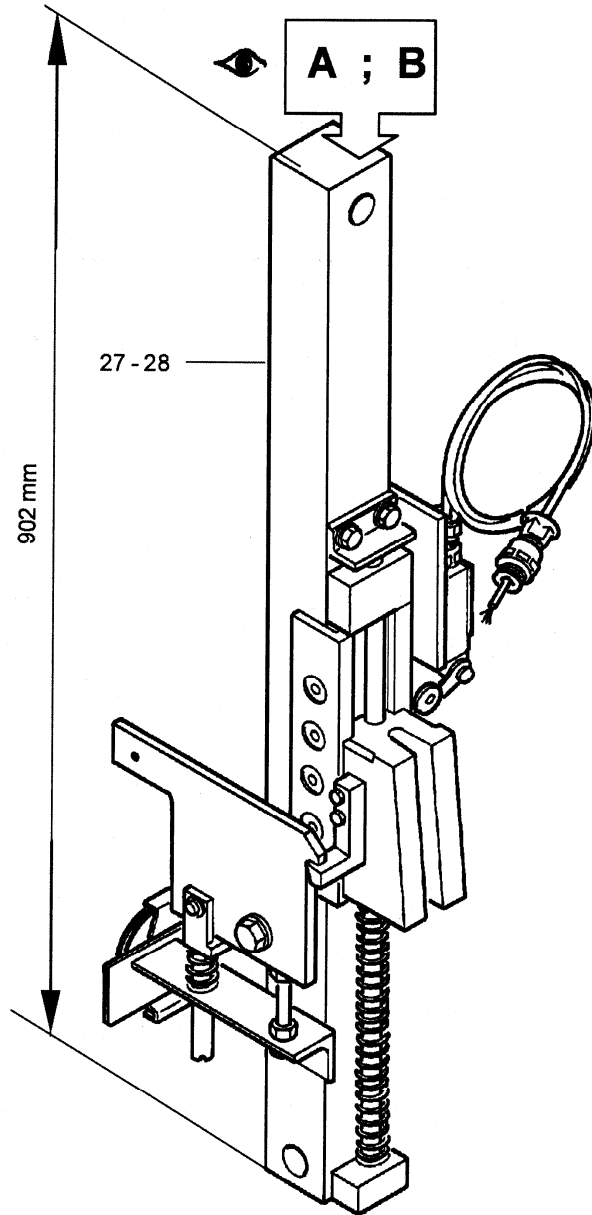


REF. No.	PART No.	DESCRIPTION	
	GO9704BX		
21	GO9704BX54	Auxiliary Brake 24 Volt	← A
22	GO9704BX55	Auxiliary Brake 120 Volt	
23	GO9704BX56	Auxiliary Brake 230 Volt	
24	GO9704BX58	Auxiliary Brake 48 Volt	
25	GO9704BX64	Auxiliary Brake 120 Volt	← B
26	GO9704BX62	Auxiliary Brake 230 Volt	

For single parts look sheets before.

51-GO9704BX

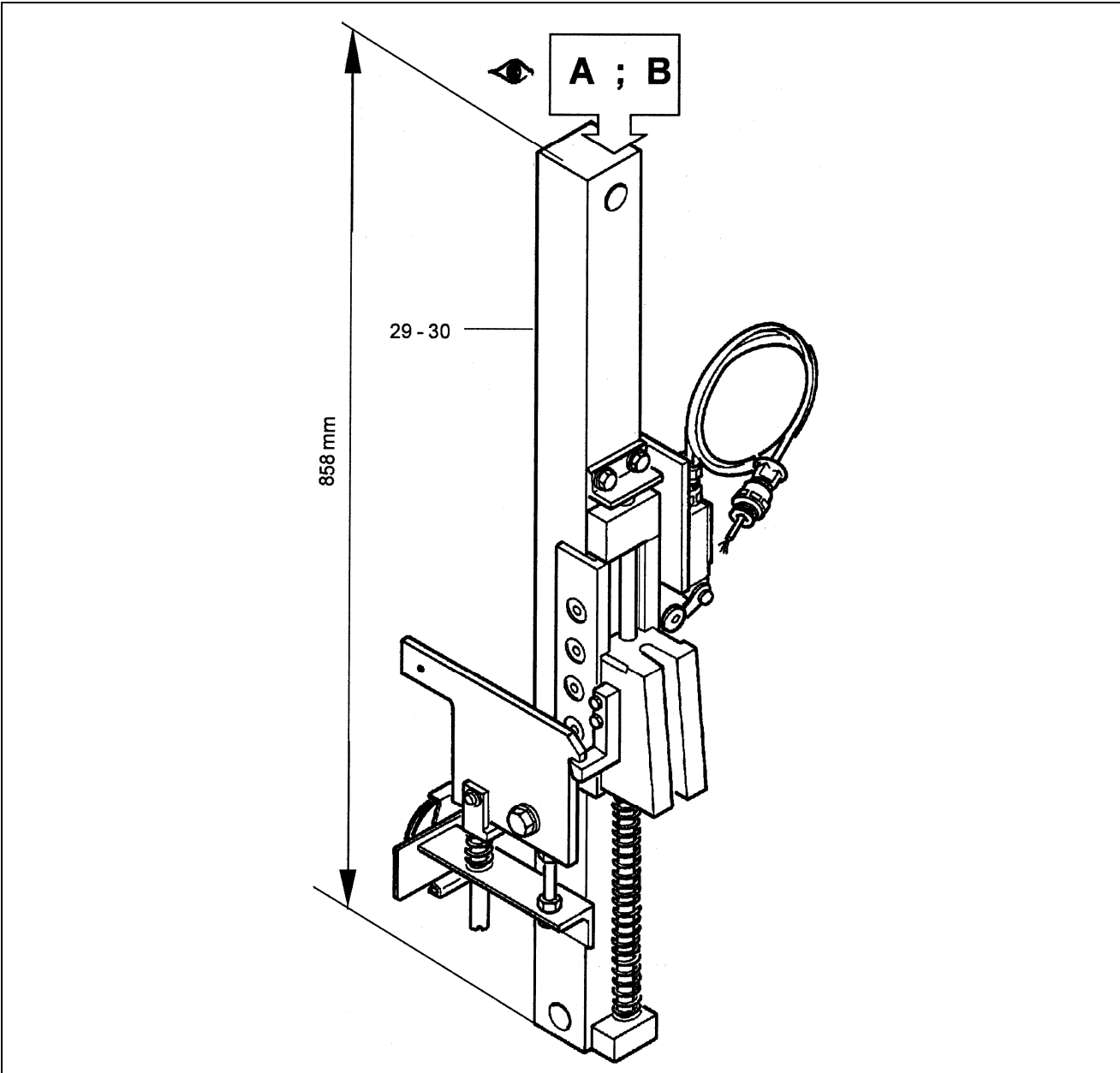
Escalator 510/513 NPE/MPE,
512 NCE Auxiliary Brake



REF. No.	PART No.	DESCRIPTION	
	GO9704BX		
27	GO9704BX13	Auxiliary Brake Mechanical Release	← A
28	GO9704BX15	Auxiliary Brake Mechanical Release, ASME A17.1	← B

Trav-O-Lator® 610 NPT
 Auxiliary Brake

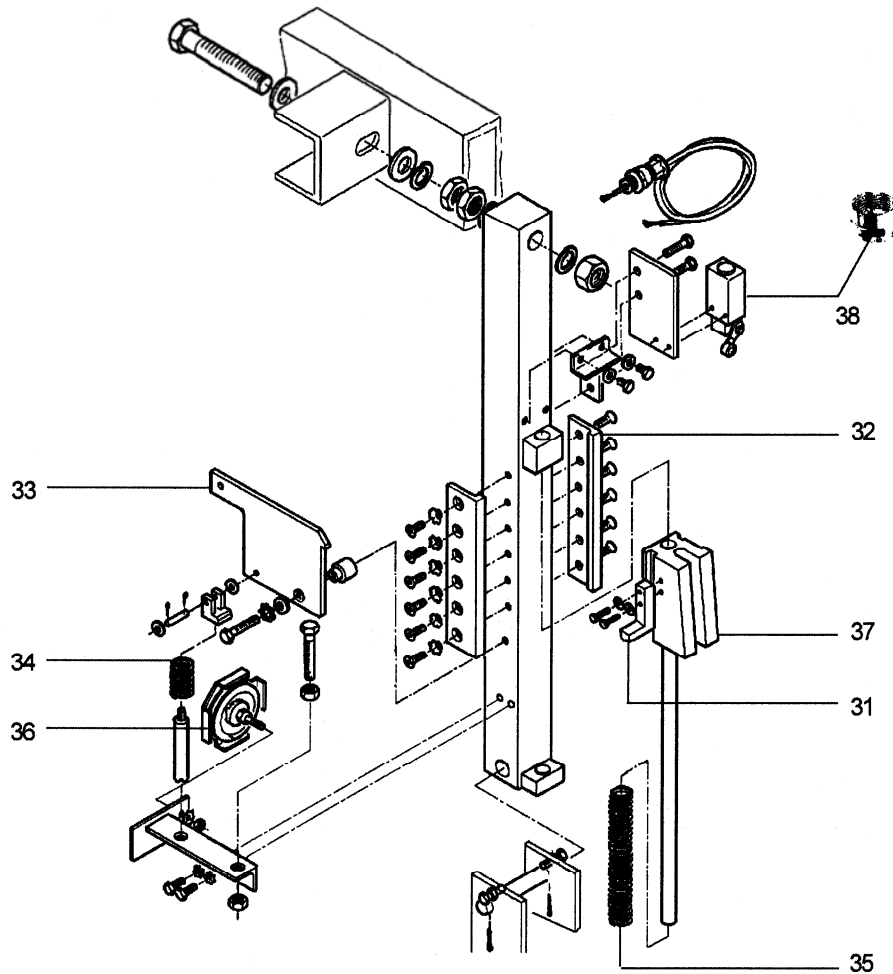
51-GO9704BX









	GO9704BX		
REF. No.	PART No.	DESCRIPTION	
29	GO9704BX63	Auxiliary Brake Mechanical Release	← A
30	GO9704BX65	Auxiliary Brake Mechanical Release, ASME A17.1	← B

51-GO9704BX

Escalator 510/513 NPE/MPE,
512 NCE, Trav-O-Lator® 610 NPT
Auxiliary Brake



REF. No.	PART No.	DESCRIPTION
	GO9704BX	
31	GO2215J7	Angle &  
32	GO2215J3	Guide &  
33	GO2215J2 GO2215J22	Lever &  
34	GO90BD1	Spring
35	GO90BH2	Spring
36	GX265BD3	Sheave
37	GOA415F5	Shoe
38	GO177AM3 GOA177AM3	Switch
	GAA381H1	Adapter (PG11-M20 x 1,5)