

Escalator Main Chain
Drive, Tension Device
Gib

Spare Parts Leaflet

51-GX237AW

December 14, 2006 / Page 1 of 3



51	GX 237 AW
○	○
SERIAL	*

Unpublished Work—© Otis Elevator Co.; 2006

OTIS

Safety First!

SERVICE ENGINEERING
Otis Elevator Company
Bloomfield, Connecticut USA

Leaflet Description

This SPL lists the LRUs (lowest replaceable units) for an escalator main chain drive tension device.

Leaflet Revisions

Date Revised	Subject Matter Expert	Reason for Revision
July 1976	Stadhagen Germany	New SPL
December 14, 2006	Tom Charney	Publish SPL in NSAA

Related Drawings

Drawing No.	Title	Drawing No.	Title
GX237AW	Guide Shoe		

Related Documents

Document ID	Title
---	---

Subject Matter Expert

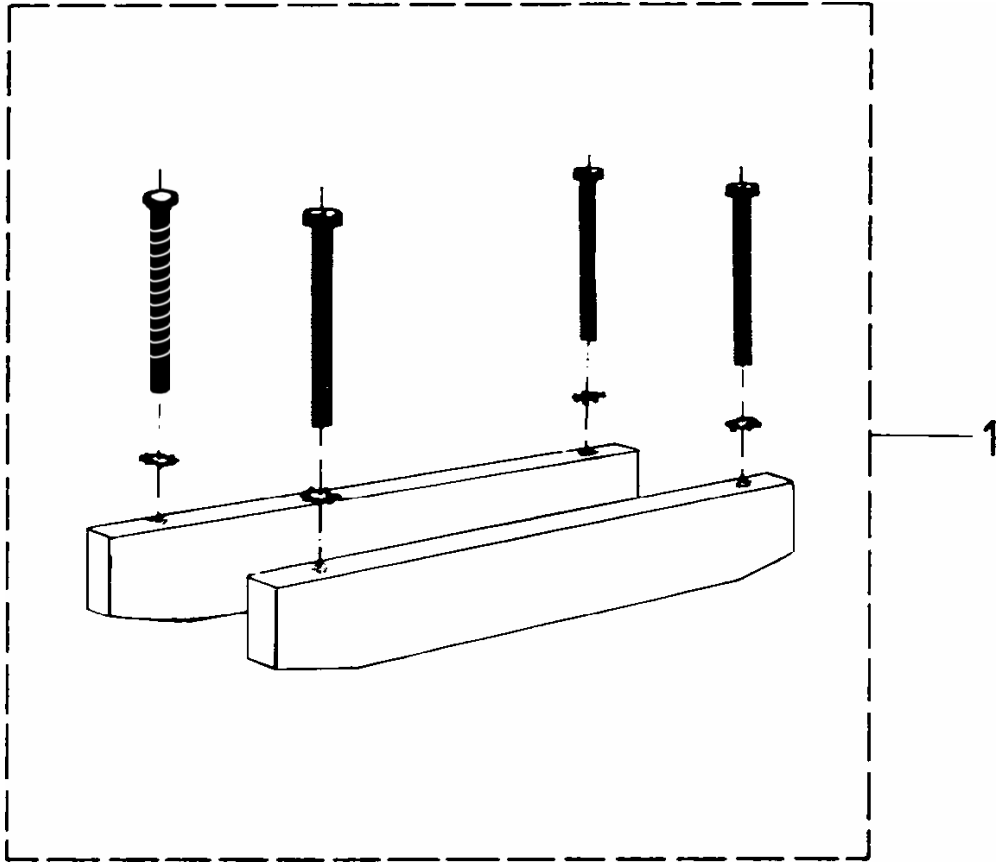
Name	Department
Tom Charney	OSC Service Engineering

About Spare Parts Leaflets...

This document lists the lowest replaceable units (LRUs) for the standard version of the product. The LRUs are chosen by a team of Otis associates representing engineering and manufacturing.

While goal of this document is to make parts identification as easy as possible, the document cannot be all-inclusive. Elevator and escalator contracts classified as "special" or "custom" are not addressed here. For such contracts, please refer to specified information, the contract folder, TIPs, Field Education Articles, Construction Letters, etc. for further information.

If you have any suggestions about this document, please contact the subject matter expert listed on this page.



	SERIAL G. 01	
REF. No.	PART No.	DESCRIPTION
1	GO2215J1	Slide and Hardware