



# History

**51-HAA26131AG**

## Leaflet Description

Upper track system for Link (Common 508, Star, Link)

### Leaflet Revisions

Date Revised	Subject Matter Expert	Reason for Revision
Mar. 5, 2019	Wang, Tianci	Original document (CN No.: CNT1900819)
Feb. 10 <sup>th</sup> , 2023	Pan, Na	Revise (CN No.: CNT2300186)

### Related Drawings

Drawing No.	Title	Drawing No.	Title
HAA26131AV	TRACK SYSTEM	HAA483AT	TRACK
HAA26131AG	UPPER TRACK	XAA483VP	STEP ROLLER RETURN

### Related Documents

Document ID	Title
HE0501D	ODS - UPPER LANDING TRACK
HAA26131AG	EBOM - UPPER LANDING TRACK

### Subject Matter Expert

Name	Department
Wang, Tianci	SIT-HANGZHOU

### About Spare Parts Leaflets...

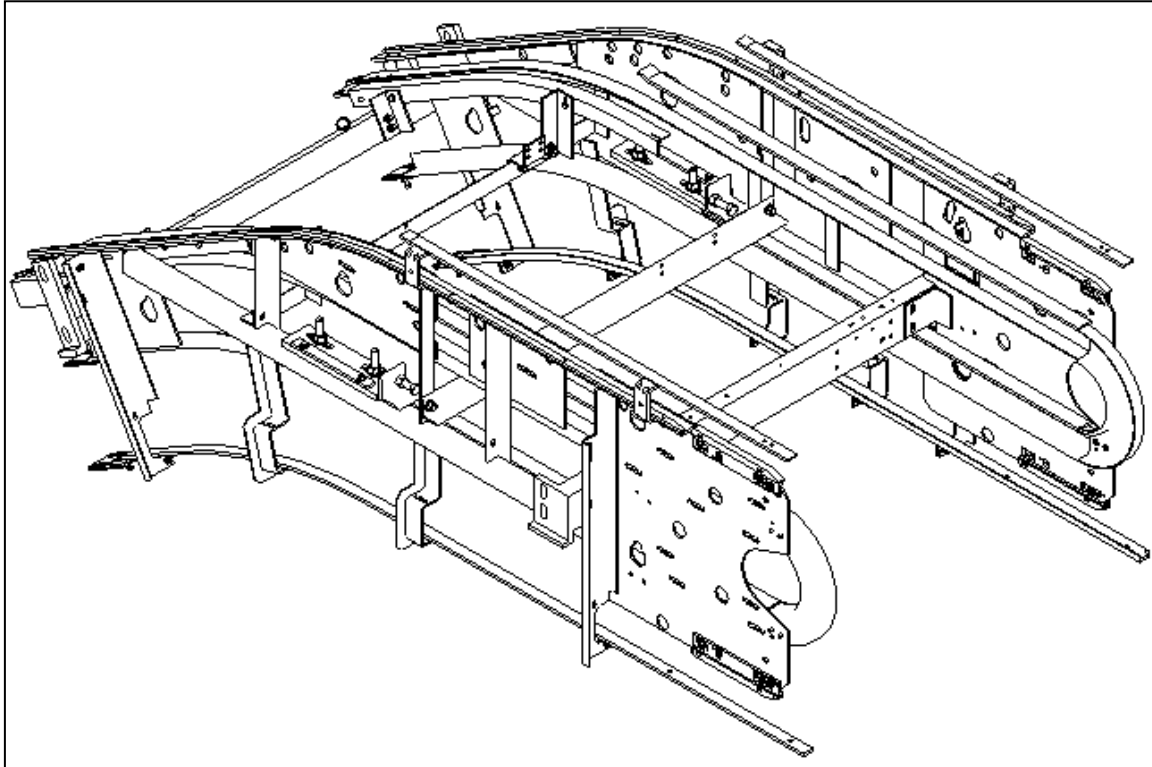
This document lists the lowest replaceable units (LRUs) for the standard version of the product. The LRUs are chosen by a team of Otis associates representing engineering and manufacturing.

While goal of this document is to make parts identification as easy as possible, the document cannot be all-inclusive. Elevator and escalator contracts classified as "special" or "custom" are not addressed here. For such contracts, please refer to specified information, the contract folder, TIPs, Field Education Articles, Construction Letters, etc. for further information.

If you have any suggestions about this document, please contact the subject matter expert listed on this page.

# Escalator Upper Track System

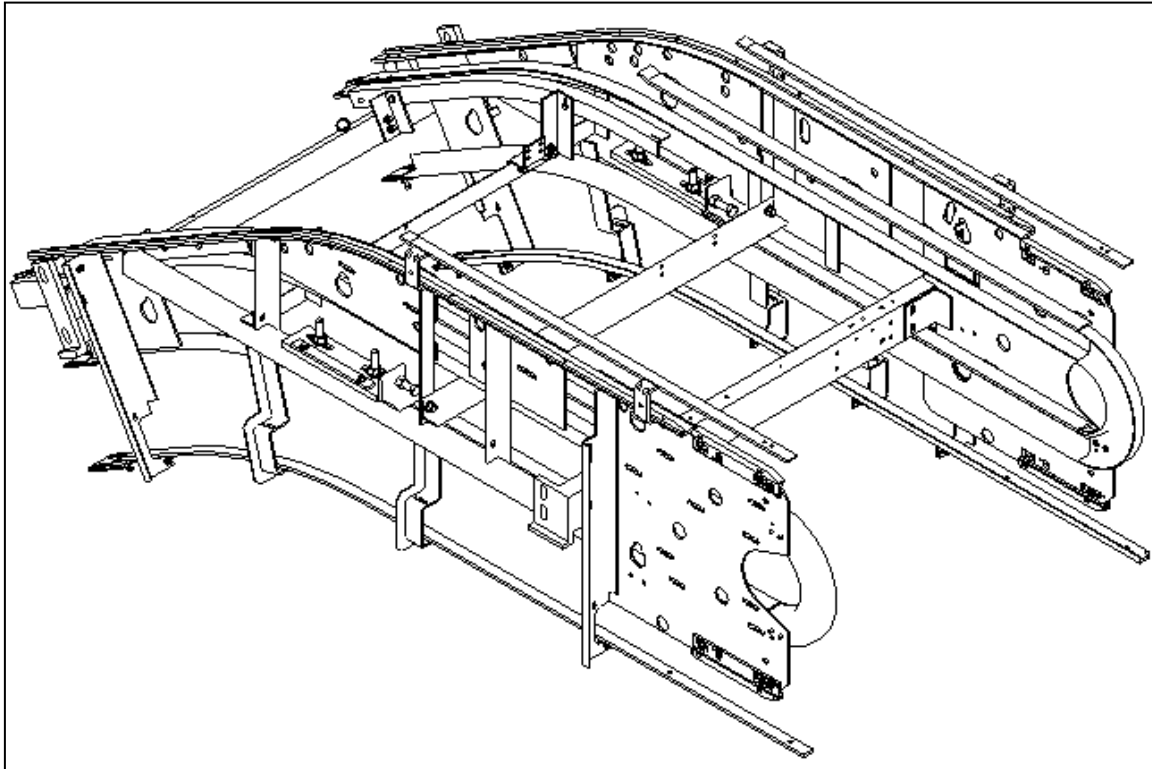
**51-HAA26131AG**



**INCLI**=Inclination angle  
**FLSTL**=Number of flat steps at both landings  
**STEPW**=Step width  
**ENVIRMT** = Environment  
**COMPY** = Country or region codes  
**18CA**= Canada  
**10US**= United States

1

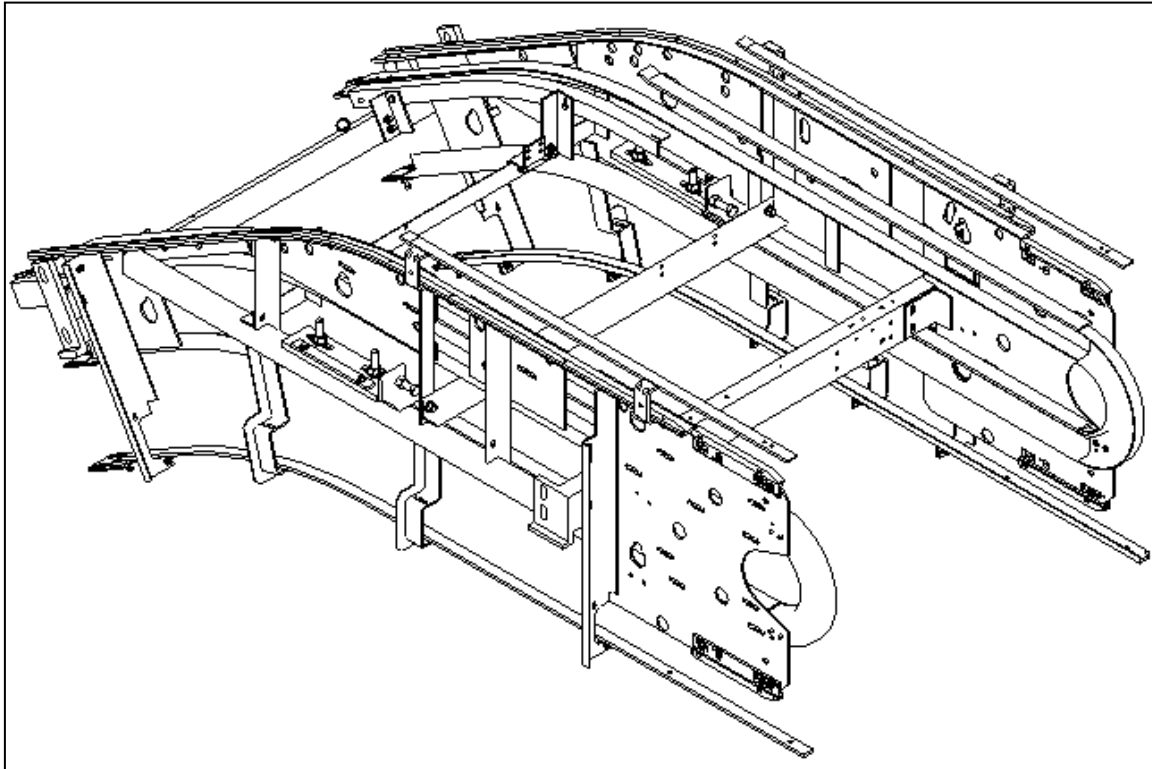
<b>HAA26131AG</b>		
<b>REF. No.</b>	<b>PART No.</b>	<b>DESCRIPTION</b>
1	HAA26131AG1 HAA26131AG901	INCLI =30° , FLSTL=2FS, STEPW=1000, ENVIRMT=INDOOR, COMPY ≠(18CA,10US)
	HAA26131AG2 HAA26131AG902	INCLI =30° , FLSTL=2FS, STEPW=800, ENVIRMT=INDOOR, COMPY ≠(18CA,10US)
	HAA26131AG3 HAA26131AG903	INCLI =30° , FLSTL=2FS, STEPW=600, ENVIRMT=INDOOR, COMPY ≠(18CA,10US)
	HAA26131AG4 HAA26131AG904	INCLI =30° , FLSTL=3FS, STEPW=1000, ENVIRMT=INDOOR, COMPY ≠(18CA,10US)
	HAA26131AG5 HAA26131AG905	INCLI =30° , FLSTL=3FS, STEPW=800, ENVIRMT=INDOOR, COMPY ≠(18CA,10US)
	HAA26131AG6 HAA26131AG906	INCLI =30° , FLSTL=3FS, STEPW=600, ENVIRMT=INDOOR, COMPY ≠(18CA,10US)



**INCLI**=Inclination angle  
**FLSTL**=Number of flat steps at both landings  
**STEPW**=Step width  
**ENVIRMT** = Environment  
**COMPY** = Country or region codes  
**18CA**= Canada  
**10US**= United States

1

		<b>HAA26131AG</b>	
<b>REF. No.</b>	<b>PART No.</b>	<b>DESCRIPTION</b>	
1	HAA26131AG7 HAA26131AG907	↻	INCLI =35° , FLSTL=2FS, STEPW=1000, ENVIRMT=INDOOR, COMPY ≠(18CA,10US)
	HAA26131AG8 HAA26131AG908	↻	INCLI =35° , FLSTL=2FS, STEPW=800, ENVIRMT=INDOOR, COMPY ≠(18CA,10US)
	HAA26131AG9 HAA26131AG909	↻	INCLI =35° , FLSTL=2FS, STEPW=600, ENVIRMT=INDOOR, COMPY ≠(18CA,10US)
	HAA26131AG10 HAA26131AG910	↻	INCLI =35° , FLSTL=3FS, STEPW=1000, ENVIRMT=INDOOR, COMPY ≠(18CA,10US)
	HAA26131AG11 HAA26131AG911	↻	INCLI =35° , FLSTL=3FS, STEPW=800, ENVIRMT=INDOOR, COMPY ≠(18CA,10US)
	HAA26131AG12 HAA26131AG912	↻	INCLI =35° , FLSTL=3FS, STEPW=600, ENVIRMT=INDOOR, COMPY ≠(18CA,10US)



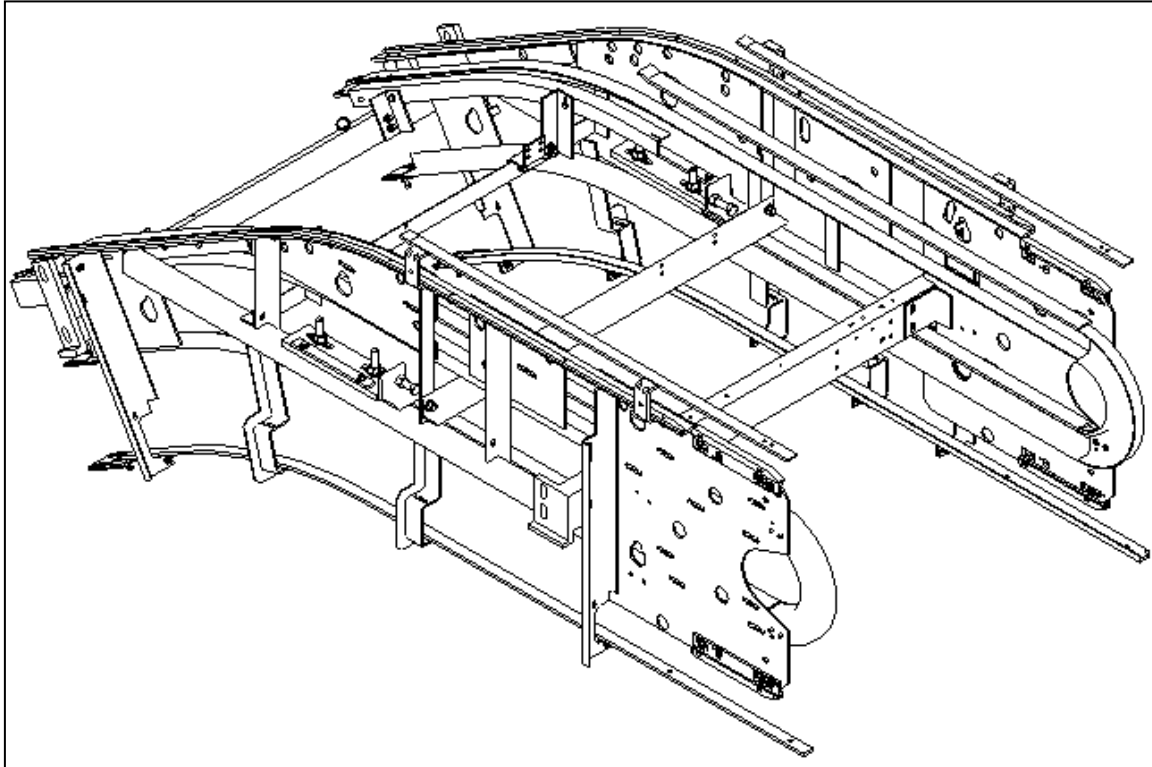
**INCLI**=Inclination angle  
**FLSTL**=Number of flat steps at both landings  
**STEPW**=Step width  
**ENVIRMT** = Environment  
**COMPY** = Country or region codes  
**18CA**= Canada  
**10US**= United States

1

<b>HAA26131AG</b>		
<b>REF. No.</b>	<b>PART No.</b>	<b>DESCRIPTION</b>
1	HAA26131AG13 HAA26131AG913	INCLI =30° , FLSTL=2FS, STEPW=1000, ENVIRMT=OUTDOOR, COMPY≠(18CA,10US)
	HAA26131AG14 HAA26131AG914	INCLI =30° , FLSTL=2FS, STEPW=800, ENVIRMT=OUTDOOR, COMPY≠(18CA,10US)
	HAA26131AG15 HAA26131AG915	INCLI =30° , FLSTL=2FS, STEPW=600, ENVIRMT=OUTDOOR, COMPY≠(18CA,10US)
	HAA26131AG16 HAA26131AG916	INCLI =30° , FLSTL=3FS, STEPW=1000, ENVIRMT=OUTDOOR, COMPY≠(18CA,10US)
	HAA26131AG17 HAA26131AG917	INCLI =30° , FLSTL=3FS, STEPW=800, ENVIRMT=OUTDOOR, COMPY≠(18CA,10US)
	HAA26131AG18 HAA26131AG918	INCLI =30° , FLSTL=3FS, STEPW=600, ENVIRMT=OUTDOOR, COMPY≠(18CA,10US)

# Escalator Upper Track System

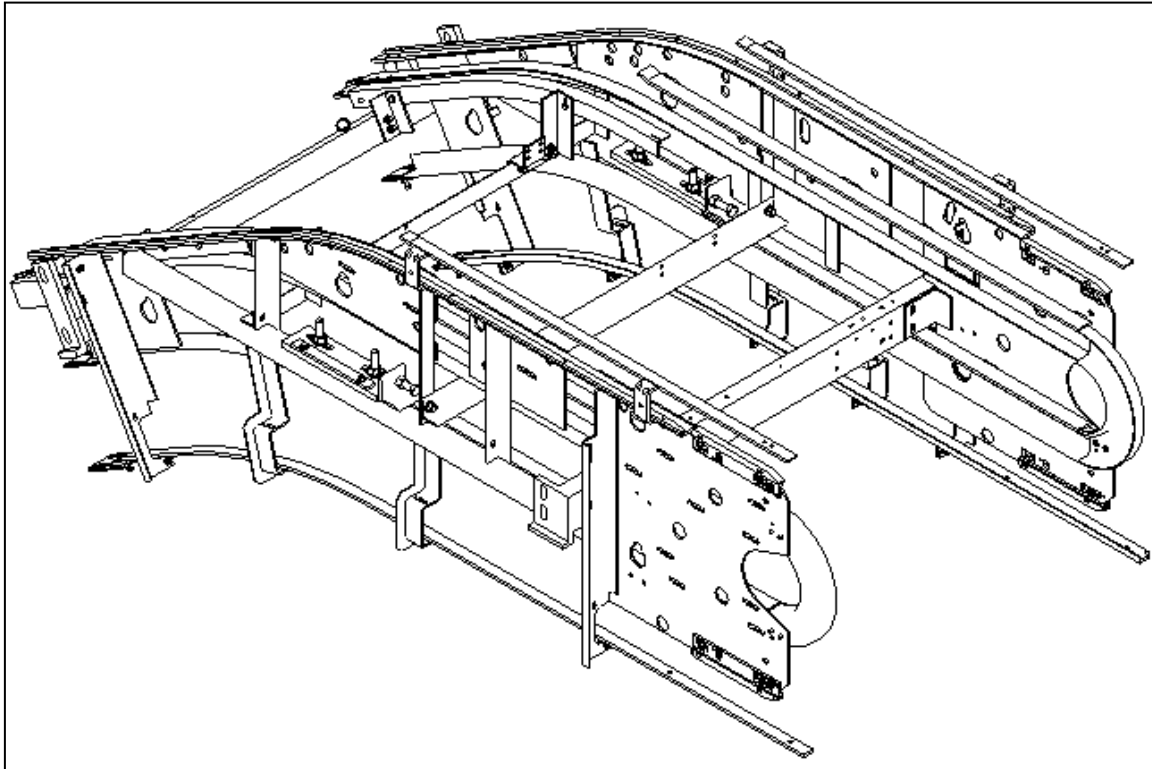
**51-HAA26131AG**



**INCLI**=Inclination angle  
**FLSTL**=Number of flat steps at both landings  
**STEPW**=Step width  
**ENVIRMT** = Environment  
**COMPY** = Country or region codes  
**18CA**= Canada  
**10US**= United States

1

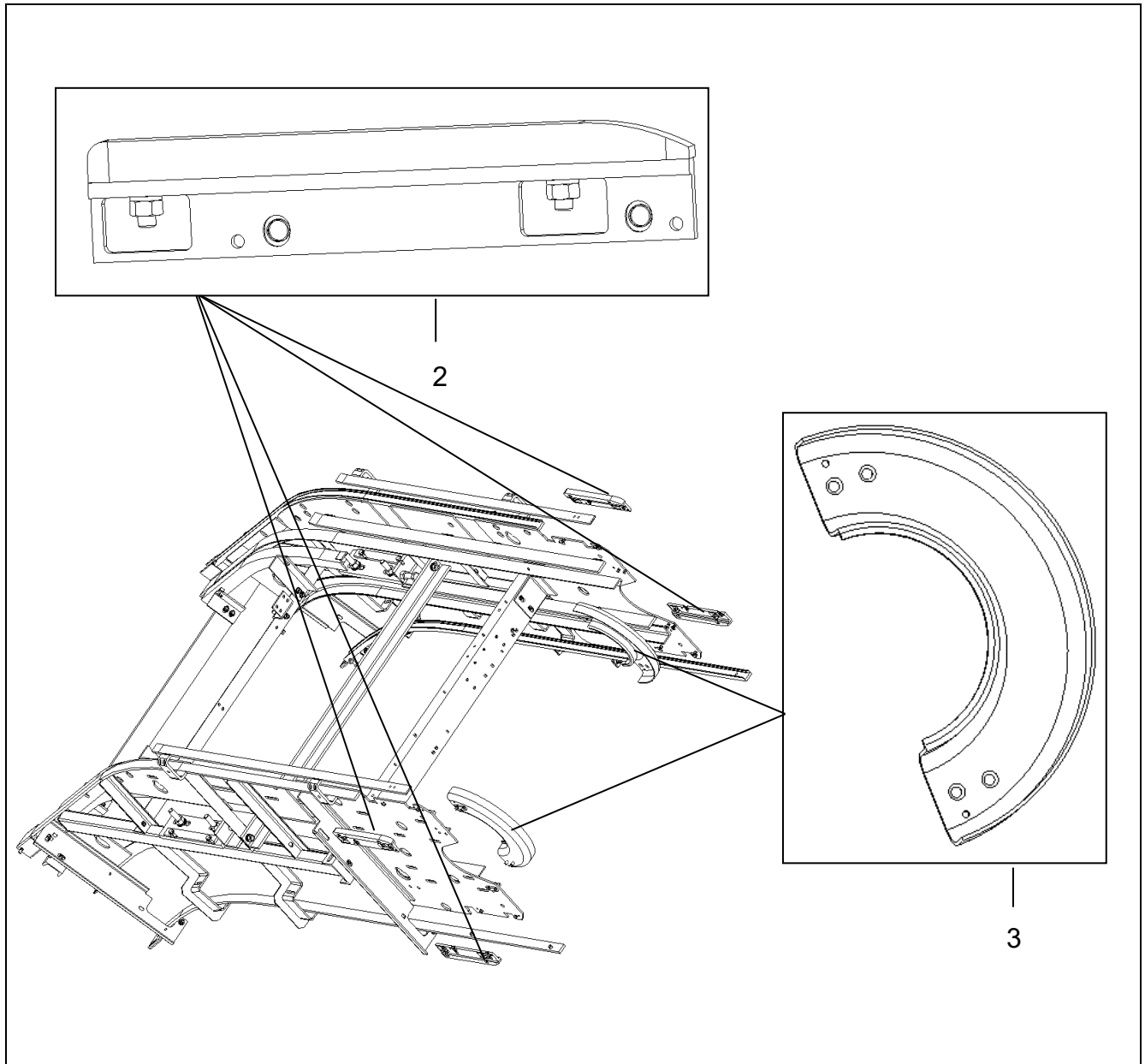
<b>HAA26131AG</b>		
<b>REF. No.</b>	<b>PART No.</b>	<b>DESCRIPTION</b>
	HAA26131AG19 HAA26131AG919	INCLI =35° , FLSTL=2FS, STEPW=1000, ENVIRMT=OUTDOOR, COMPY≠(18CA,10US)
	HAA26131AG20 HAA26131AG920	INCLI =35° , FLSTL=2FS, STEPW=800, ENVIRMT=OUTDOOR, COMPY≠(18CA,10US)
	HAA26131AG24 HAA26131AG921	INCLI =35° , FLSTL=2FS, STEPW=600, ENVIRMT=OUTDOOR, COMPY≠(18CA,10US)
	HAA26131AG22 HAA26131AG922	INCLI =35° , FLSTL=3FS, STEPW=1000, ENVIRMT=OUTDOOR, COMPY≠(18CA,10US)
	HAA26131AG23 HAA26131AG923	INCLI =35° , FLSTL=3FS, STEPW=800, ENVIRMT=OUTDOOR, COMPY≠(18CA,10US)
	HAA26131AG24 HAA26131AG924	INCLI =35° , FLSTL=3FS, STEPW=600, ENVIRMT=OUTDOOR, COMPY≠(18CA,10US)



**INCLI**=Inclination angle  
**FLSTL**=Number of flat steps at both landings  
**STEPW**=Step width  
**ENVIRMT** = Environment  
**COMPY** = Country or region codes  
**18CA**= Canada  
**10US**= United States

1

<b>HAA26131AG</b>		
<b>REF. No.</b>	<b>PART No.</b>	<b>DESCRIPTION</b>
1	HAA26131AG925	INCLI =30° , FLSTL=3FS, STEPW=1000, ENVIRMT=INDOOR, COMPY=(18CA,10US)
	HAA26131AG926	INCLI =30° , FLSTL=3FS, STEPW=800, ENVIRMT=INDOOR, COMPY=(18CA,10US)
	HAA26131AG927	INCLI =30° , FLSTL=3FS, STEPW=600, ENVIRMT=INDOOR, COMPY=(18CA,10US)
	HAA26131AG928	INCLI =30° , FLSTL=3FS, STEPW=1000, ENVIRMT=OUTDOOR, COMPY=(18CA,10US)
	HAA26131AG929	INCLI =30° , FLSTL=3FS, STEPW=800, ENVIRMT=OUTDOOR, COMPY=(18CA,10US)
	HAA26131AG930	INCLI =30° , FLSTL=3FS, STEPW=600, ENVIRMT=OUTDOOR, COMPY=(18CA,10US)



HAA26131AG		
REF. No.	PART No.	DESCRIPTION
2	HAA483AT1	TANGENTIAL TRACK, INDOOR, RIGHT SIDE, RETURN
	HAA483AT2	TANGENTIAL TRACK, INDOOR, LEFT SIDE, RETURN
	HAA483AT3	TANGENTIAL TRACK, INDOOR, LEFT SIDE, PASSENGER
	HAA483AT4	TANGENTIAL TRACK, INDOOR, RIGHT SIDE, PASSENGER
	HAA483AT5	TANGENTIAL TRACK, OUTDOOR, RIGHT SIDE, RETURN
	HAA483AT6	TANGENTIAL TRACK, OUTDOOR, LEFT SIDE, RETURN
	HAA483AT7	TANGENTIAL TRACK, OUTDOOR, LEFT SIDE, PASSENGER
	HAA483AT8	TANGENTIAL TRACK, OUTDOOR, RIGHT SIDE, PASSENGER
3	XAA483VP1	STEP ROLLER RETURN, INDOOR, LEFT SIDE
	XAA483VP2	STEP ROLLER RETURN, INDOOR, RIGHT SIDE
	XAA483VP3	STEP ROLLER RETURN, OUTDOOR, LEFT SIDE
	XAA483VP4	STEP ROLLER RETURN, OUTDOOR, RIGHT SIDE