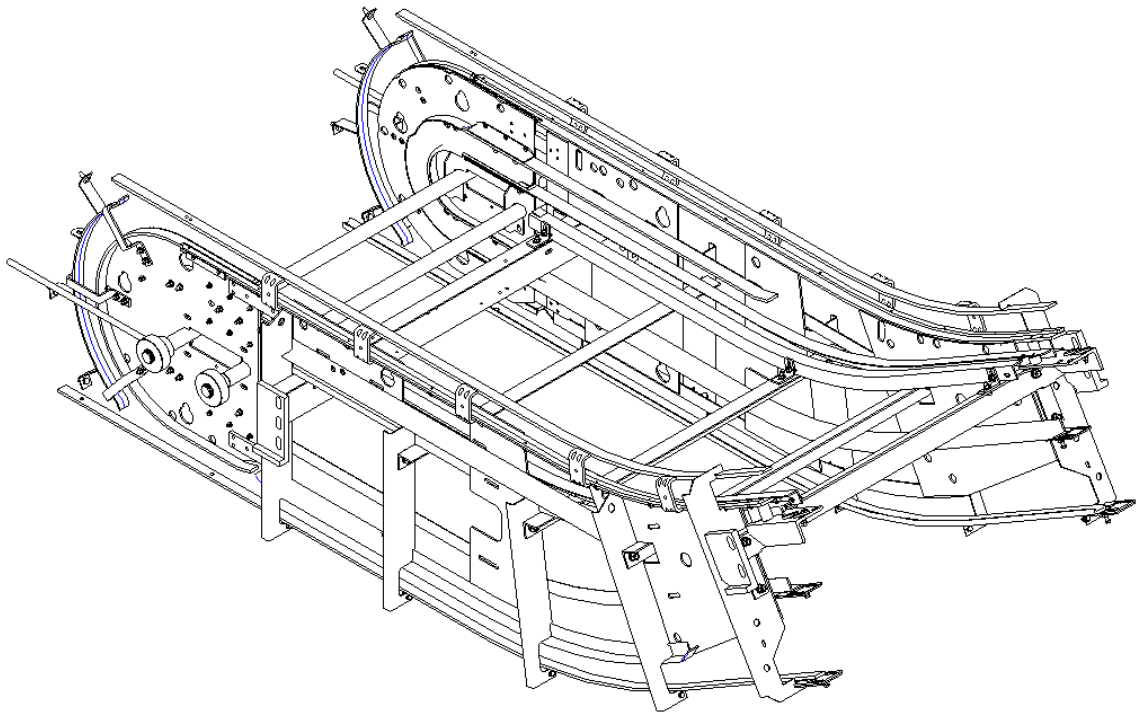
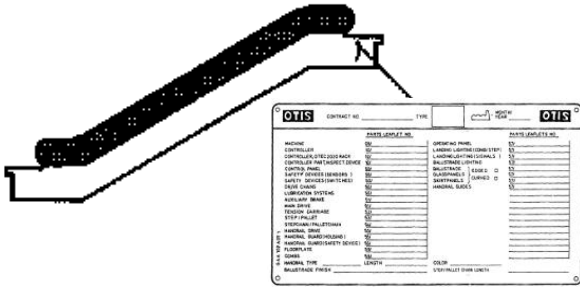


Link ESCALATOR
LOWER TRACK SYSTEM
 (2FS/3FS)

Spare Parts Leaflet
51-HAA26131AJ
 Mar. 11th, 2019 / Page 1 of 8



Unpublished Work—© Otis Elevator Co.



This document does not contain
 any technical data subject to
 EAR or ITAR

ESCALATOR ENGINEERING
OTIS ENGINEERING CHINA
ESCALATOR

History

51-HAA26131AJ

Leaflet Description

Lower track system for Link (Common 508, Star, Link)

Leaflet Revisions

Date Revised	Subject Matter Expert	Reason for Revision
Mar. 5, 2019	Wang, Tianci	Original document (CN No.: CNT1900819)
Feb. 10 th , 2023	Pan, Na	Revise (CN No.: CNT2300186)

Related Drawings

Drawing No.	Title	Drawing No.	Title
HAA26131AV	TRACK SYSTEM	XAA483QE	STEP ROLLER RETURN
HAA26131AJ	LOWER TRACK	XAA90J	SPRING

Related Documents

Document ID	Title
HE0502D	ODS - LOWER LANDING TRACK
HAA26131AJ	EBOM - LOWER LANDING TRACK

Subject Matter Expert

Name	Department
Wang, Tianci	SIT-HANGZHOU

About Spare Parts Leaflets...

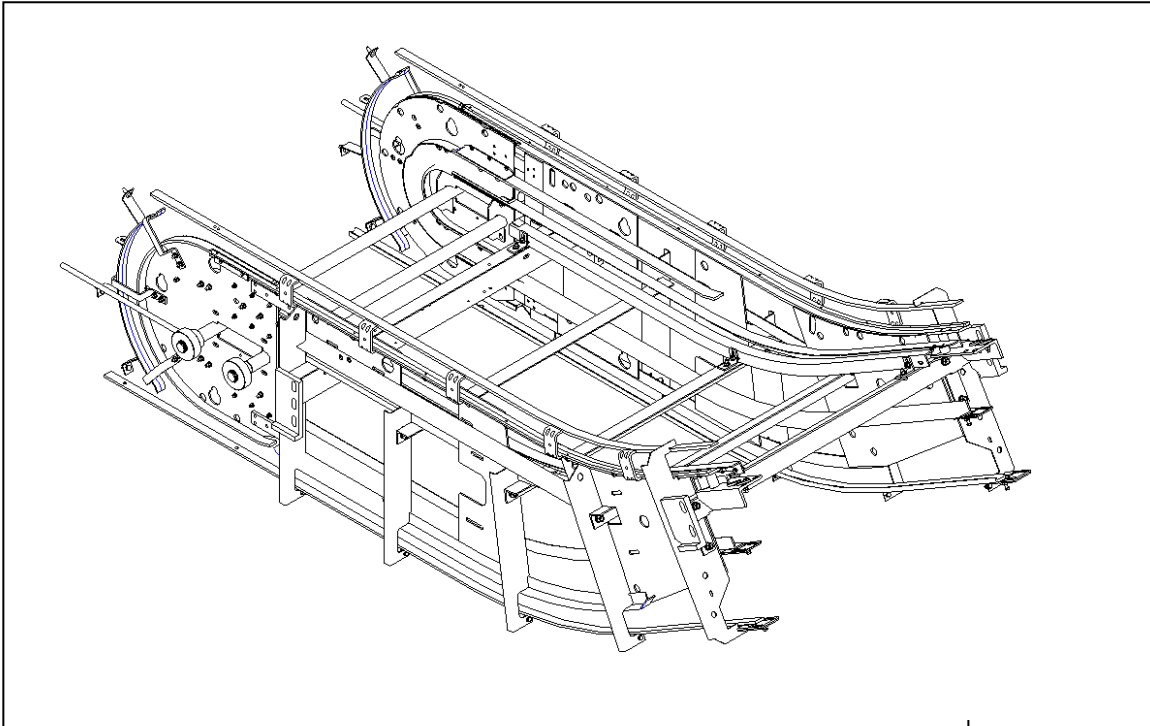
This document lists the lowest replaceable units (LRUs) for the standard version of the product. The LRUs are chosen by a team of Otis associates representing engineering and manufacturing.

While goal of this document is to make parts identification as easy as possible, the document cannot be all-inclusive. Elevator and escalator contracts classified as "special" or "custom" are not addressed here. For such contracts, please refer to specified information, the contract folder, TIPs, Field Education Articles, Construction Letters, etc. for further information.

If you have any suggestions about this document, please contact the subject matter expert listed on this page.

Lower Track System

51-HAA26131AJ



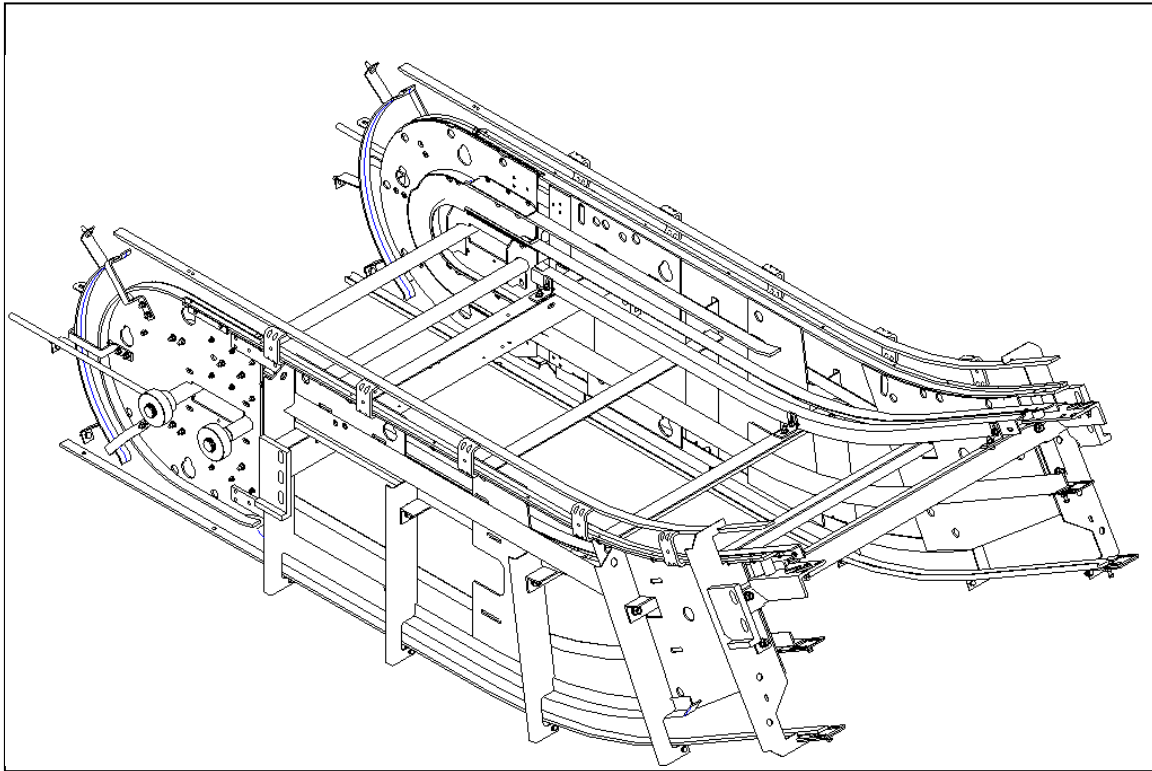
INCLI=Inclination angle
FLSTL=Number of flat steps at both landings
STEPW=Step width
ENVIRMT = Environment
COMPY = Country or region codes
18CA= Canada
10US= United States

1

HAA26131AJ		
REF. No.	PART No.	DESCRIPTION
1	HAA26131AJ1 HAA26131AJ901	INCLI =30° , FLSTL=2FS, STEPW=1000, ENVIRMT=INDOOR, COMPY ≠(18CA,10US)
	HAA26131AJ2 HAA26131AJ902	INCLI =30° , FLSTL=2FS, STEPW=800, ENVIRMT=INDOOR, COMPY ≠(18CA,10US)
	HAA26131AJ3 HAA26131AJ903	INCLI =30° , FLSTL=2FS, STEPW=600, ENVIRMT=INDOOR, COMPY ≠(18CA,10US)
	HAA26131AJ4 HAA26131AJ904	INCLI =30° , FLSTL=3FS, STEPW=1000, ENVIRMT=INDOOR, COMPY ≠(18CA,10US)
	HAA26131AJ5 HAA26131AJ905	INCLI =30° , FLSTL=3FS, STEPW=800, ENVIRMT=INDOOR, COMPY ≠(18CA,10US)
	HAA26131AJ6 HAA26131AJ906	INCLI =30° , FLSTL=3FS, STEPW=600, ENVIRMT=INDOOR, COMPY ≠(18CA,10US)

Lower Track System

51-HAA26131AJ



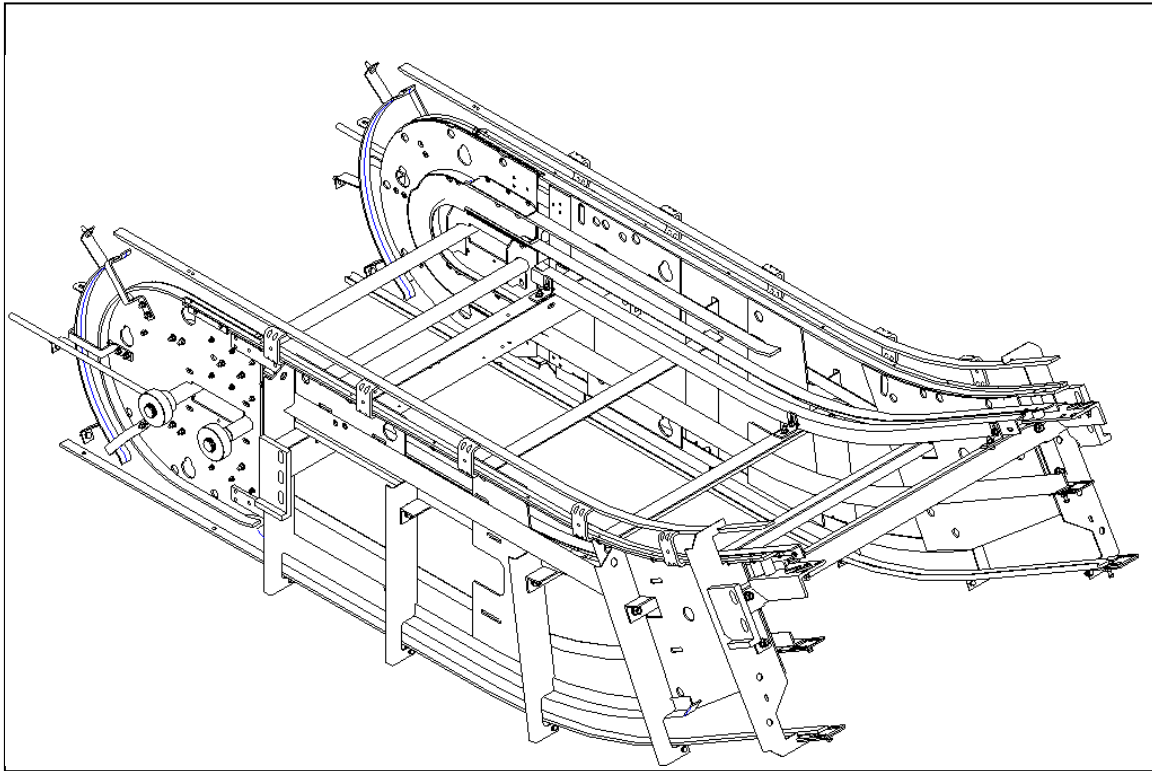
INCLI=Inclination angle
FLSTL=Number of flat steps at both landings
STEPW=Step width
ENVIRMT = Environment
COMPY = Country or region codes
18CA= Canada
10US= United States

1

		HAA26131AJ	
REF. No.	PART No.	DESCRIPTION	
1	HAA26131AJ7 HAA26131AJ907	↻	INCLI =35° , FLSTL=2FS, STEPW=1000, ENVIRMT=INDOOR, COMPY ≠(18CA,10US)
	HAA26131AJ8 HAA26131AJ908	↻	INCLI =35° , FLSTL=2FS, STEPW=800, ENVIRMT=INDOOR, COMPY ≠(18CA,10US)
	HAA26131AJ9 HAA26131AJ909	↻	INCLI =35° , FLSTL=2FS, STEPW=600, ENVIRMT=INDOOR, COMPY ≠(18CA,10US)
	HAA26131AJ10 HAA26131AJ910	↻	INCLI =35° , FLSTL=3FS, STEPW=1000, ENVIRMT=INDOOR, COMPY ≠(18CA,10US)
	HAA26131AJ11 HAA26131AJ911	↻	INCLI =35° , FLSTL=3FS, STEPW=800, ENVIRMT=INDOOR, COMPY ≠(18CA,10US)
	HAA26131AJ12 HAA26131AJ912	↻	INCLI =35° , FLSTL=3FS, STEPW=600, ENVIRMT=INDOOR, COMPY ≠(18CA,10US)

Lower Track System

51-HAA26131AJ



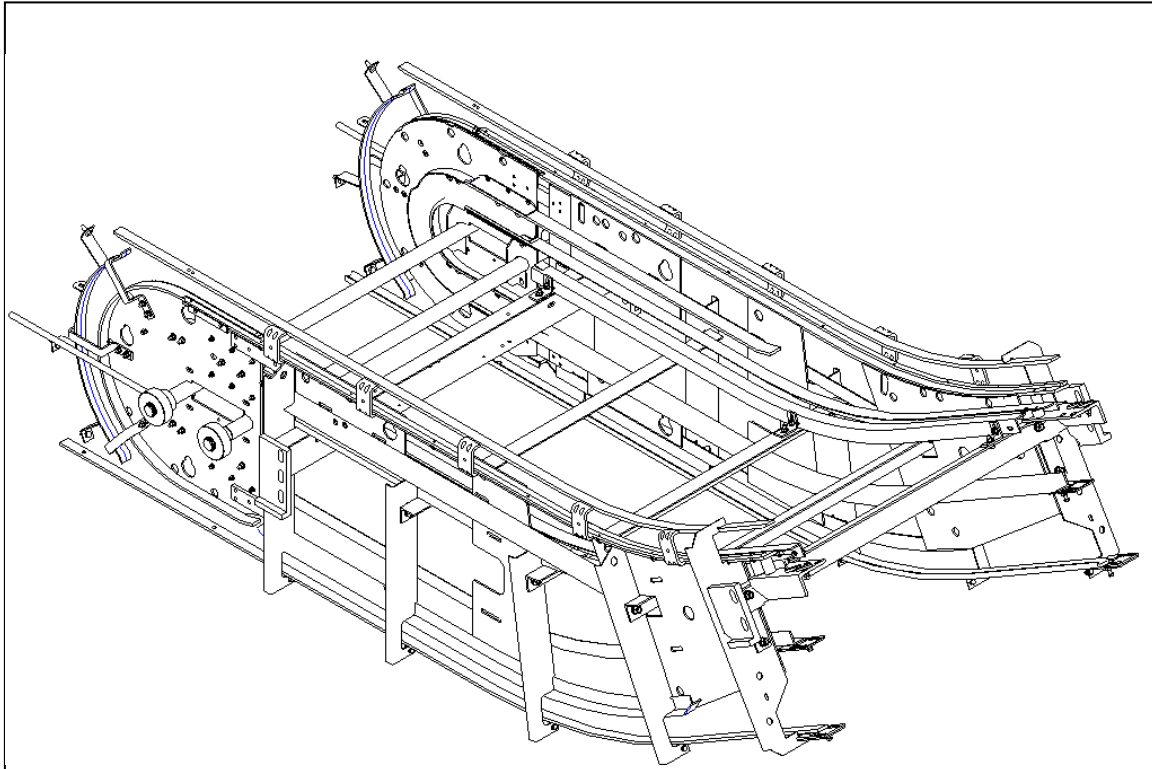
INCLI=Inclination angle
FLSTL=Number of flat steps at both landings
STEPW=Step width
ENVIRMT = Environment
COMPY = Country or region codes
18CA= Canada
10US= United States

1

HAA26131AJ		
REF. No.	PART No.	DESCRIPTION
1	HAA26131AJ13 HAA26131AJ913	INCLI =30° , FLSTL=2FS, STEPW=1000, ENVIRMT=OUTDOOR, COMPY≠(18CA,10US)
	HAA26131AJ14 HAA26131AJ914	INCLI =30° , FLSTL=2FS, STEPW=800, ENVIRMT=OUTDOOR, COMPY≠(18CA,10US)
	HAA26131AJ15 HAA26131AJ915	INCLI =30° , FLSTL=2FS, STEPW=600, ENVIRMT=OUTDOOR, COMPY≠(18CA,10US)
	HAA26131AJ16 HAA26131AJ916	INCLI =30° , FLSTL=3FS, STEPW=1000, ENVIRMT=OUTDOOR, COMPY≠(18CA,10US)
	HAA26131AJ17 HAA26131AJ917	INCLI =30° , FLSTL=3FS, STEPW=800, ENVIRMT=OUTDOOR, COMPY≠(18CA,10US)
	HAA26131AJ18 HAA26131AJ918	INCLI =30° , FLSTL=3FS, STEPW=600, ENVIRMT=OUTDOOR, COMPY≠(18CA,10US)

Lower Track System

51-HAA26131AJ



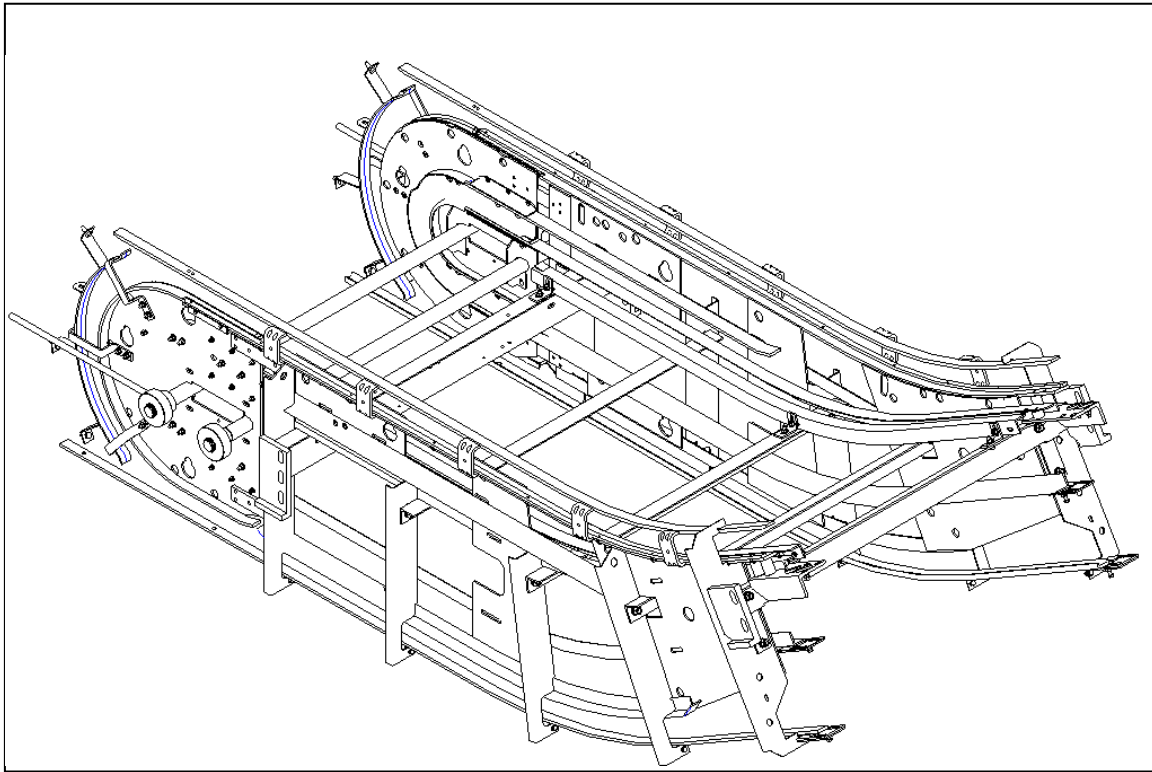
INCLI=Inclination angle
FLSTL=Number of flat steps at both landings
STEPW=Step width
ENVIRMT = Environment
COMPY = Country or region codes
18CA= Canada
10US= United States

1

HAA26131AJ		
REF. No.	PART No.	DESCRIPTION
1	HAA26131AJ19 HAA26131AJ919	INCLI =35° , FLSTL=2FS, STEPW=1000, ENVIRMT=OUTDOOR, COMPY ≠(18CA,10US)
	HAA26131AJ20 HAA26131AJ920	INCLI =35° , FLSTL=2FS, STEPW=800, ENVIRMT=OUTDOOR, COMPY ≠(18CA,10US)
	HAA26131AJ24 HAA26131AJ921	INCLI =35° , FLSTL=2FS, STEPW=600, ENVIRMT=OUTDOOR, COMPY ≠(18CA,10US)
	HAA26131AJ22 HAA26131AJ922	INCLI =35° , FLSTL=3FS, STEPW=1000, ENVIRMT=OUTDOOR, COMPY ≠(18CA,10US)
	HAA26131AJ23 HAA26131AJ923	INCLI =35° , FLSTL=3FS, STEPW=800, ENVIRMT=OUTDOOR, COMPY ≠(18CA,10US)
	HAA26131AJ24 HAA26131AJ924	INCLI =35° , FLSTL=3FS, STEPW=600, ENVIRMT=OUTDOOR, COMPY ≠(18CA,10US)

Lower Track System

51-HAA26131AJ



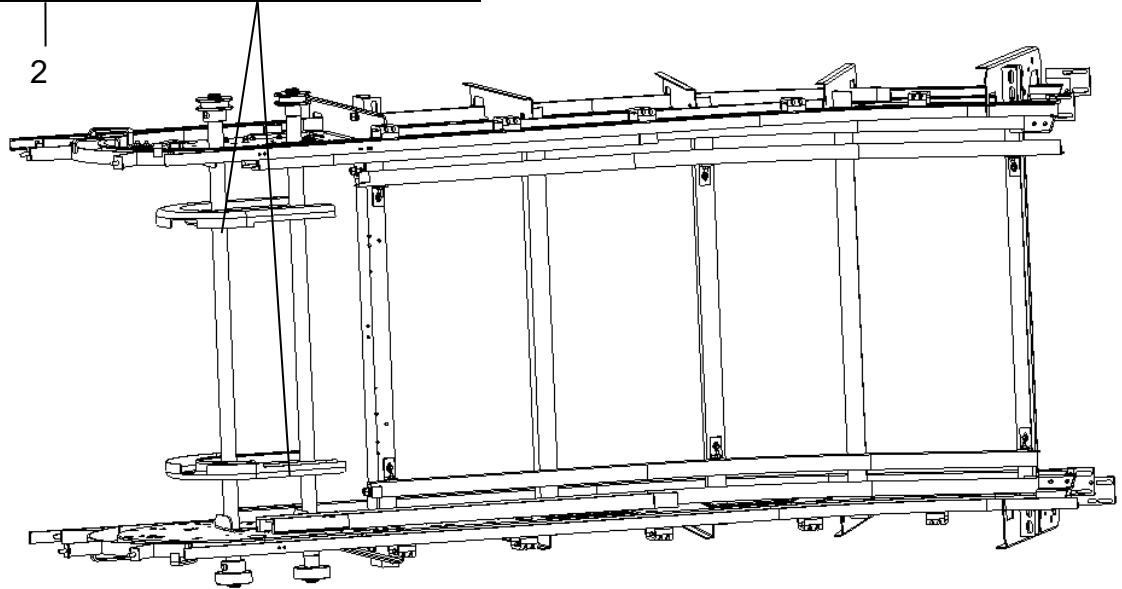
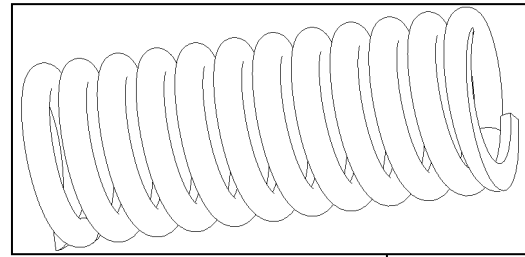
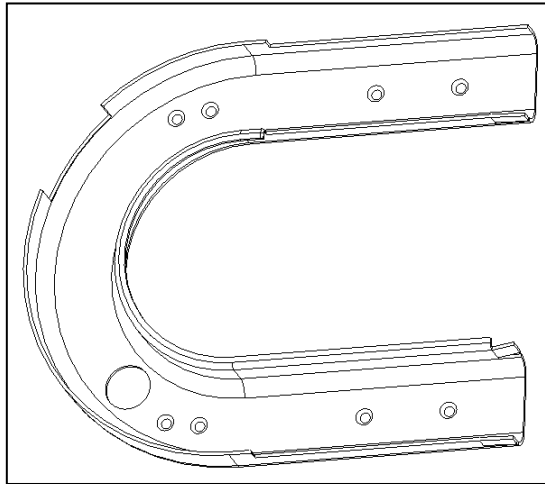
INCLI=Inclination angle
FLSTL=Number of flat steps at both landings
STEPW=Step width
ENVIRMT = Environment
COMPY = Country or region codes
18CA= Canada
10US= United States

1

		HAA26131AJ
REF. No.	PART No.	DESCRIPTION
1	HAA26131AJ925	INCLI =30° , FLSTL=3FS, STEPW=1000, ENVIRMT=INDOOR, COMPY=(18CA,10US)
	HAA26131AJ926	INCLI =30° , FLSTL=3FS, STEPW=800, ENVIRMT=INDOOR, COMPY=(18CA,10US)
	HAA26131AJ927	INCLI =30° , FLSTL=3FS, STEPW=600, ENVIRMT=INDOOR, COMPY=(18CA,10US)
	HAA26131AJ928	INCLI =30° , FLSTL=3FS, STEPW=1000, ENVIRMT=OUTDOOR, COMPY=(18CA,10US)
	HAA26131AJ929	INCLI =30° , FLSTL=3FS, STEPW=800, ENVIRMT=OUTDOOR, COMPY=(18CA,10US)
	HAA26131AJ930	INCLI =30° , FLSTL=3FS, STEPW=600, ENVIRMT=OUTDOOR, COMPY=(18CA,10US)

Lower Track System

51-HAA26131AJ



HAA26131AJ		
REF. No.	PART No.	DESCRIPTION
2	XAA483QE1	STEP ROLLER RETURN, INDOOR, LEFT SIDE
	XAA483QE2	STEP ROLLER RETURN, INDOOR, RIGHT SIDE
	XAA483QE3	STEP ROLLER RETURN, OUTDOOR, LEFT SIDE
	XAA483QE4	STEP ROLLER RETURN, OUTDOOR, RIGHT SIDE
3	XAA90J1	SPRING, INDOOR
	XAA90J2	SPRING, OUTDOOR