



## Leaflet Description

Lower track system for Link\_ANSI

### Leaflet Revisions

Date Revised	Subject Matter Expert	Reason for Revision
Dec. 12, 2019	Lv, Haijian	Original document (CN NO.: CNT2001404)
Feb. 10 <sup>th</sup> , 2023	Pan, Na	Revise (CN No.: CNT2300186)

### Related Drawings

Drawing No.	Title	Drawing No.	Title
HAA26131AV	TRACK SYSTEM	XAA483QE	STEP ROLLER RETURN
HAA26131AP	LOWER TRACK	XAA90J	SPRING

### Related Documents

Document ID	Title
HE0502D	ODS - LOWER LANDING TRACK
HAA26131AP	EBOM - LOWER LANDING TRACK

### Subject Matter Expert

Name	Department
Lv, Haijian	SIT-HANGZHOU

### About Spare Parts Leaflets...

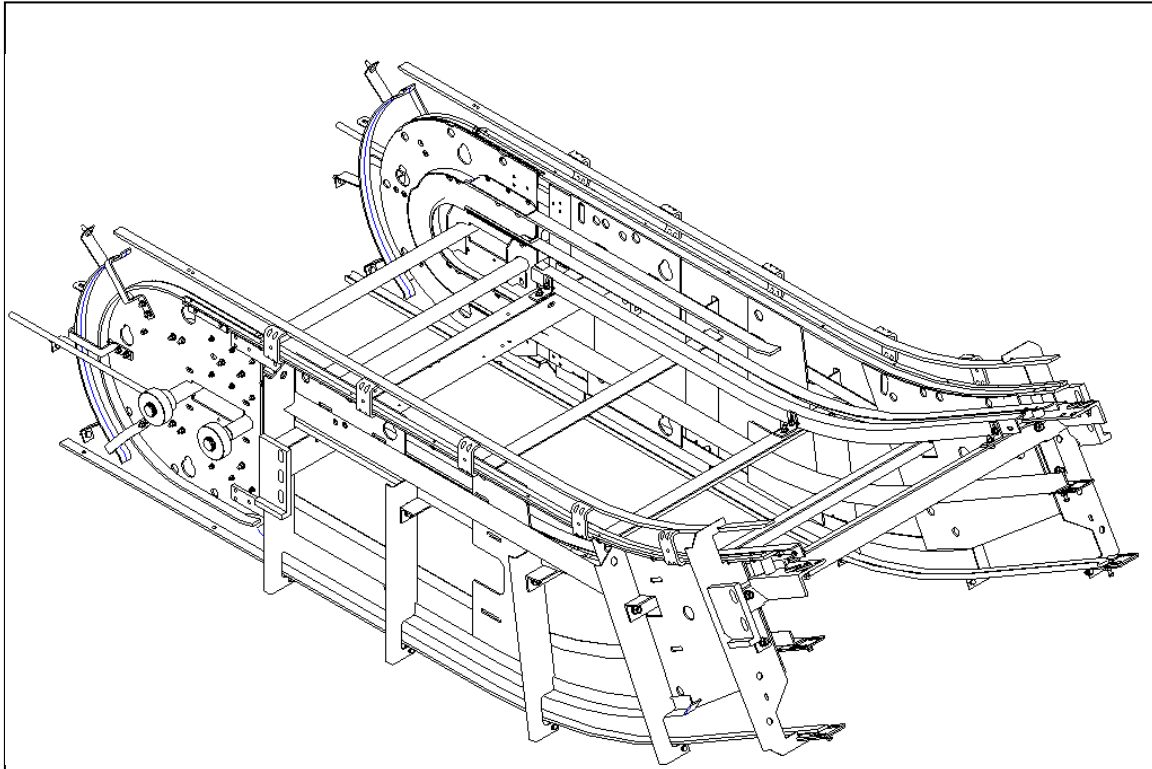
This document lists the lowest replaceable units (LRUs) for the standard version of the product. The LRUs are chosen by a team of Otis associates representing engineering and manufacturing.

While goal of this document is to make parts identification as easy as possible, the document cannot be all-inclusive. Elevator and escalator contracts classified as "special" or "custom" are not addressed here. For such contracts, please refer to specified information, the contract folder, TIPs, Field Education Articles, Construction Letters, etc. for further information.

If you have any suggestions about this document, please contact the subject matter expert listed on this page.

# Lower Track System

**51-HAA26131AP**



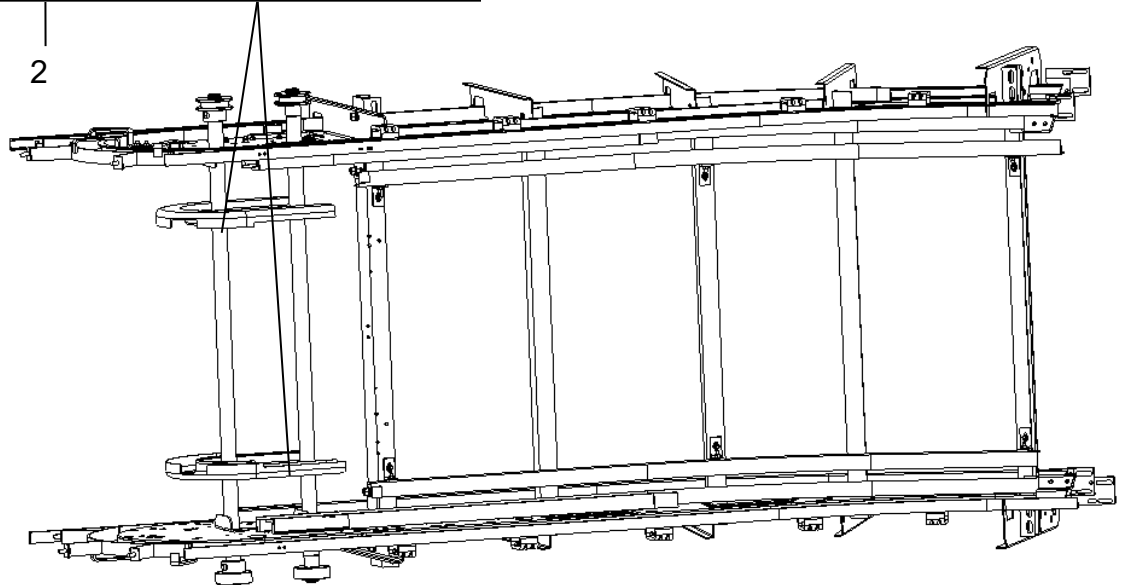
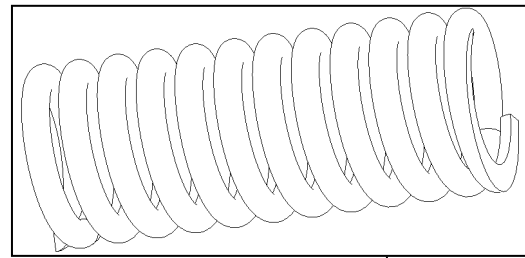
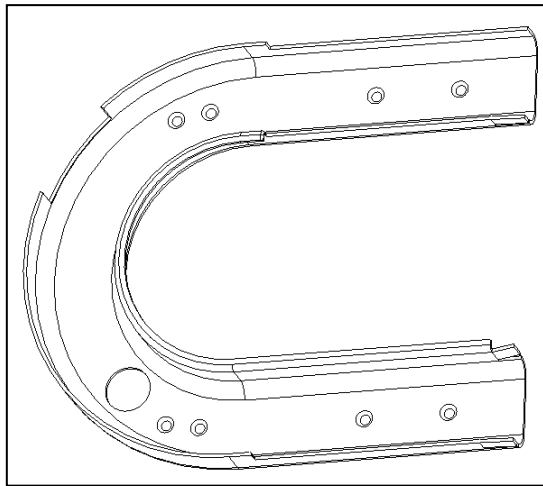
**INCLI**=Inclination angle  
**FLSTL**=Number of flat steps at both landings  
**STEPW**=Step width  
**ENVIRMT** = Environment  
**COMPY** = Country or region codes  
**18CA**= Canada  
**10US**= United States

1

<b>HAA26131AP</b>		
<b>REF. No.</b>	<b>PART No.</b>	<b>DESCRIPTION</b>
1	HAA26131AP4 HAA26131AP11	INCLI =30° , FLSTL=2FSReal, STEPW=1000, ENVIRMT=INDOOR, COMPY=(18CA,10US)
	HAA26131AP2 HAA26131AP12	INCLI =30° , FLSTL=2FSReal, STEPW=800, ENVIRMT=INDOOR, COMPY=(18CA,10US)
	HAA26131AP3 HAA26131AP13	INCLI =30° , FLSTL=2FSReal, STEPW=600, ENVIRMT=INDOOR, COMPY=(18CA,10US)
	HAA26131AP4 HAA26131AP14	INCLI =30° , FLSTL=2FSReal, STEPW=1000, ENVIRMT=OUTDOOR, COMPY=(18CA,10US)
	HAA26131AP5 HAA26131AP15	INCLI =30° , FLSTL=2FSReal, STEPW=800, ENVIRMT=OUTDOOR, COMPY=(18CA,10US)
	HAA26131AP6 HAA26131AP16	INCLI =30° , FLSTL=2FSReal, STEPW=600, ENVIRMT=OUTDOOR, COMPY=(18CA,10US)

# Lower Track System

**51-HAA26131AP**



<b>HAA26131AP</b>		
<b>REF. No.</b>	<b>PART No.</b>	<b>DESCRIPTION</b>
2	XAA483QE1	STEP ROLLER RETURN, INDOOR, LEFT SIDE
	XAA483QE2	STEP ROLLER RETURN, INDOOR, RIGHT SIDE
	XAA483QE3	STEP ROLLER RETURN, OUTDOOR, LEFT SIDE
	XAA483QE4	STEP ROLLER RETURN, OUTDOOR, RIGHT SIDE
3	XAA90J1	SPRING, INDOOR
	XAA90J2	SPRING, OUTDOOR