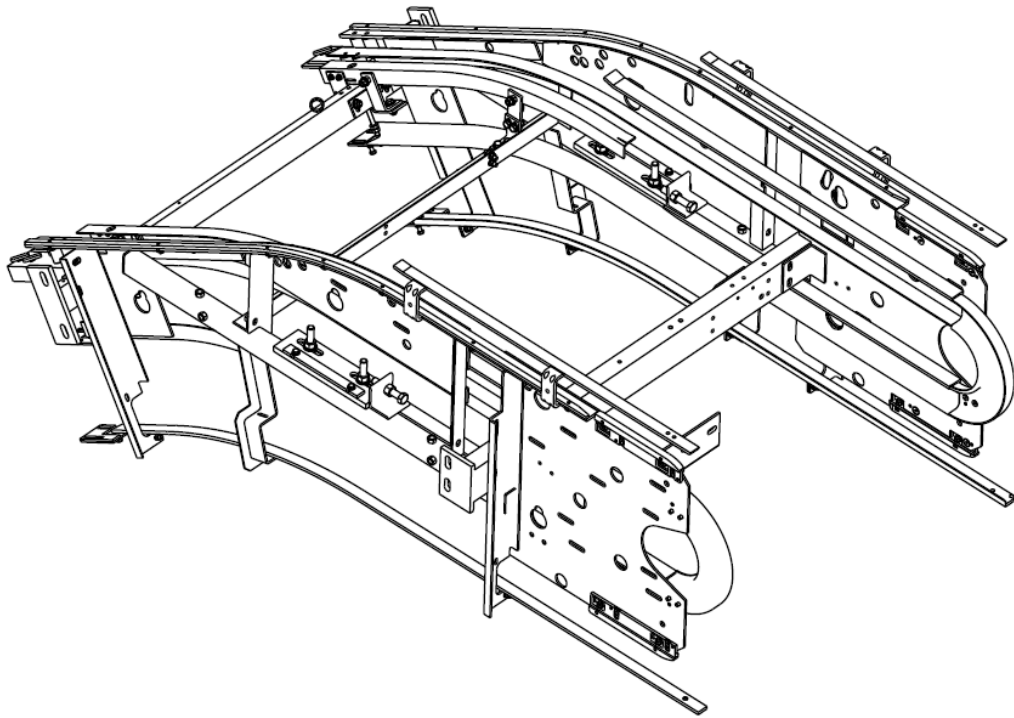
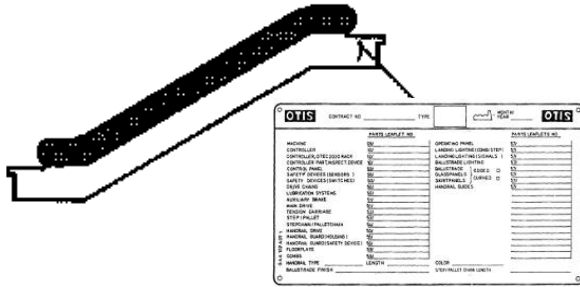


Link ESCALATOR UPPER TRACK SYSTEM (2FSReal)

Spare Parts Leaflet
51-HAA26131AR
Dec. 12th, 2019 / Page 1 of 5



Unpublished Work—© Otis Elevator Co.



This document does not contain technical information subject to EAR or ITAR

ESCALATOR ENGINEERING
Otis Elevator Company
OTIS ENGINEERING CHINA
ESCALATOR

Link ESCALATOR 51-HAA26131AR

History

Leaflet Description

Upper track system for Link_ANSI

Leaflet Revisions

Date Revised	Subject Matter Expert	Reason for Revision
Dec. 12, 2019	Lv, Haijian	Original document (CN NO.: CNT2001404)
Feb. 10 th , 2023	Pan, Na	Revise (CN No.: CNT2300186)

Related Drawings

Drawing No.	Title	Drawing No.	Title
HAA26131AV	TRACK SYSTEM	XAA483VP	STEP ROLLER RETURN
HAA26131AR	UPPER TRACK	HAA272MC	ANGLE
HAA483AT	TRACK		

Related Documents

Document ID	Title
HE0501D	ODS - UPPER LANDING TRACK
HAA26131AR	EBOM - UPPER LANDING TRACK

Subject Matter Expert

Name	Department
Lv, Haijian	SIT-HANGZHOU

About Spare Parts Leaflets...

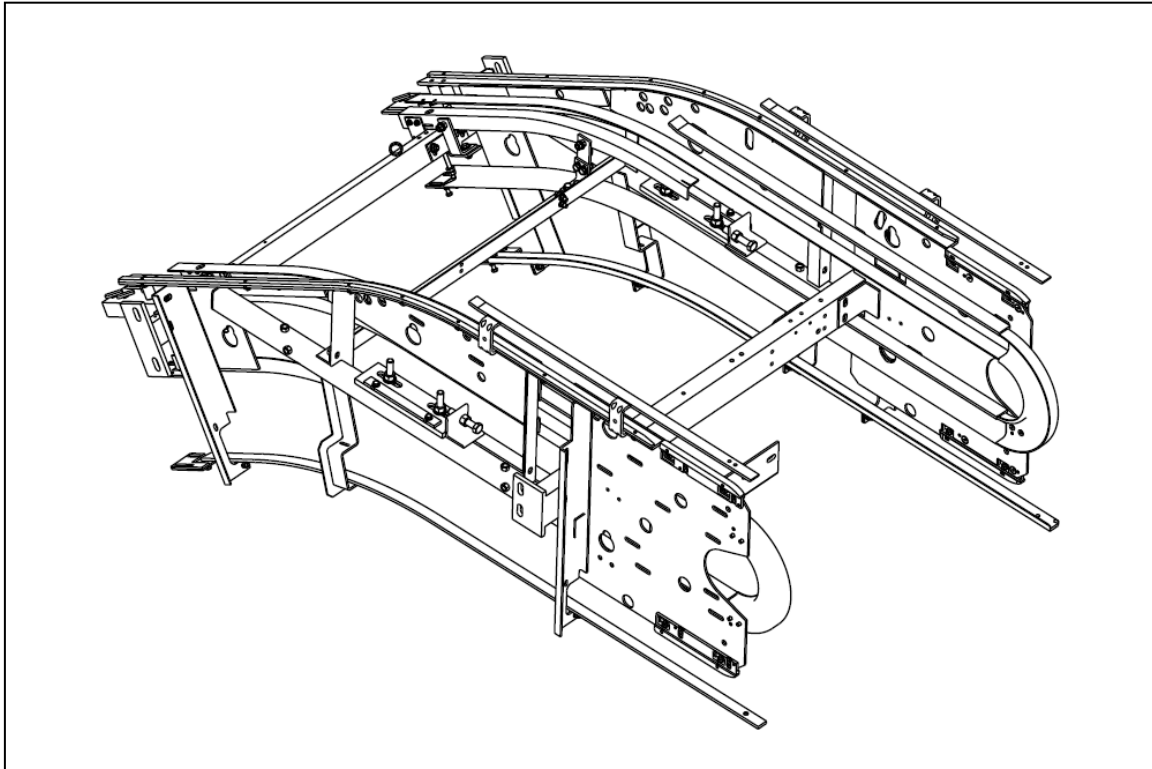
This document lists the lowest replaceable units (LRUs) for the standard version of the product. The LRUs are chosen by a team of Otis associates representing engineering and manufacturing.

While goal of this document is to make parts identification as easy as possible, the document cannot be all-inclusive. Elevator and escalator contracts classified as "special" or "custom" are not addressed here. For such contracts, please refer to specified information, the contract folder, TIPs, Field Education Articles, Construction Letters, etc. for further information.

If you have any suggestions about this document, please contact the subject matter expert listed on this page.

ESCALATOR UPPER TRACK SYSTEM

Spare Parts Leaflet 51-HAA26131AR



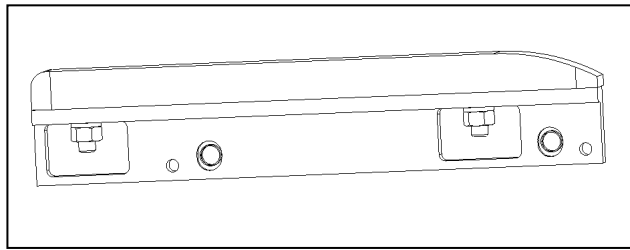
INCLI=Inclination angle
 FLSTL=Number of flat steps at both landings
 STEPW=Step width
 ENVIRMT = Environment
 COMPY = Country or region codes
 18CA= Canada
 10US= United States

1

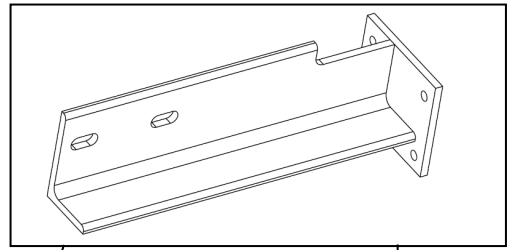
		HAA26131AR	
REF. No.	PART No.	DESCRIPTION	
1	HAA26131AR1	↷	INCLI =30° , FLSTL=2FSReal, STEPW=1000, ENVIRMT=INDOOR, COMPY=(18CA,10US)
	HAA26131AR11		
	HAA26131AR2	↷	INCLI =30° , FLSTL=2FSReal, STEPW=800, ENVIRMT=INDOOR, COMPY=(18CA,10US)
	HAA26131AR12		
	HAA26131AR3	↷	INCLI =30° , FLSTL=2FSReal, STEPW=600, ENVIRMT=INDOOR, COMPY=(18CA,10US)
	HAA26131AR13		
	HAA26131AR4	↷	INCLI =30° , FLSTL=2FSReal, STEPW=1000, ENVIRMT=OUTDOOR, COMPY=(18CA,10US)
	HAA26131AR14		
HAA26131AR5	↷	INCLI =30° , FLSTL=2FSReal, STEPW=800, ENVIRMT=OUTDOOR, COMPY=(18CA,10US)	
HAA26131AR15			
HAA26131AR6	↷	INCLI =30° , FLSTL=2FSReal, STEPW=600, ENVIRMT=OUTDOOR, COMPY=(18CA,10US)	
HAA26131AR16			

**ESCALATOR
UPPER TRACK SYSTEM**

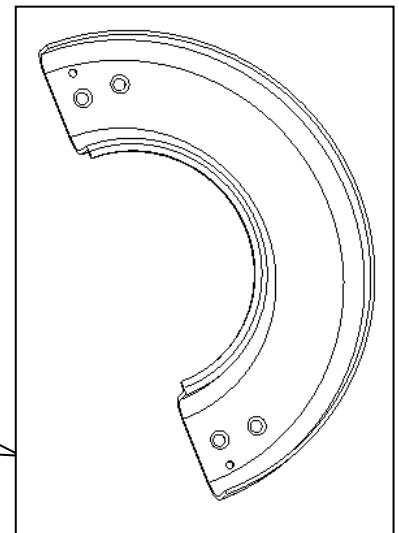
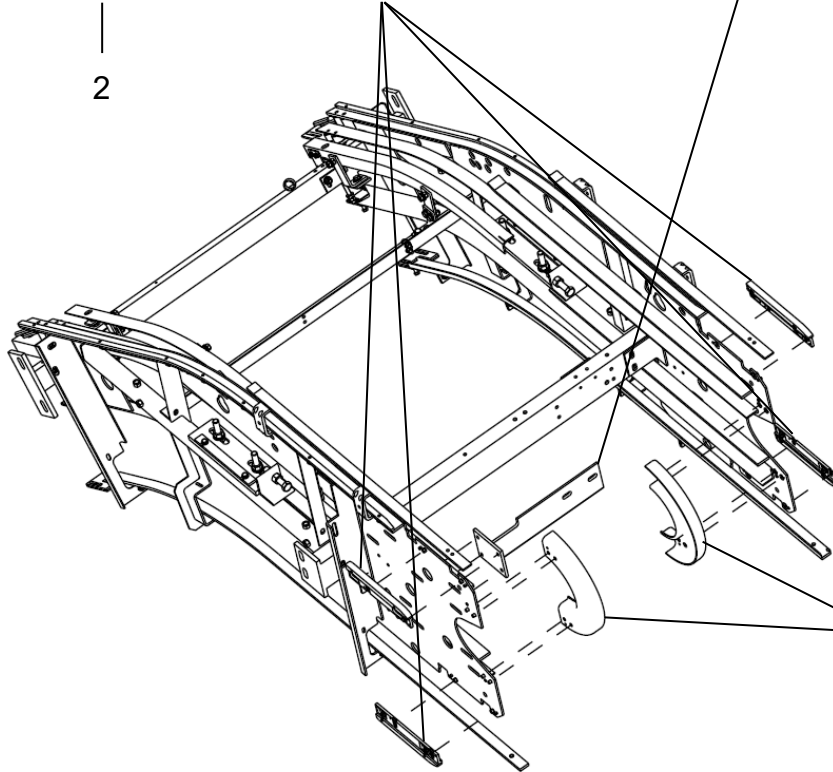
**Spare Parts Leaflet
51-HAA26131AR**



2



4

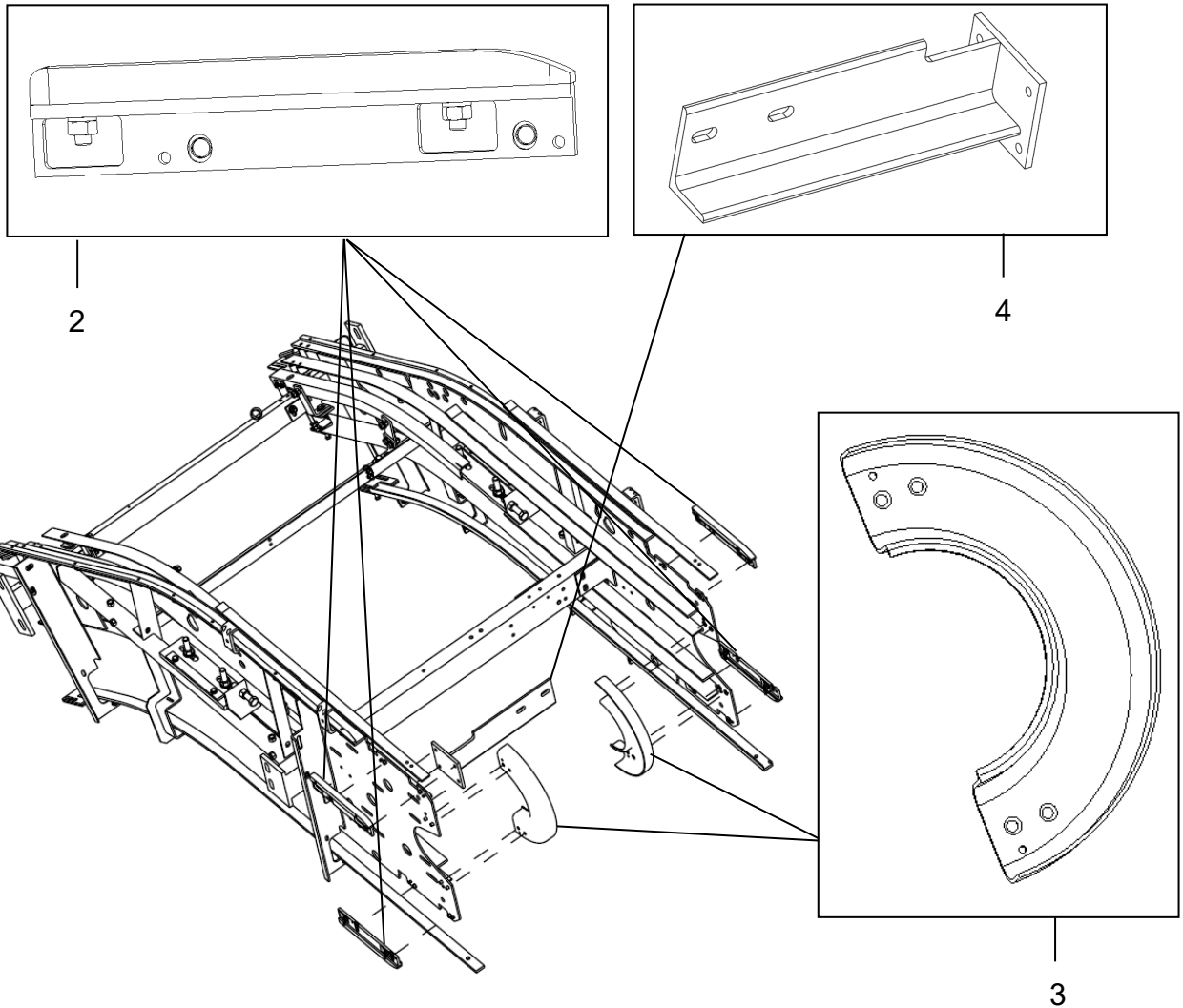


3

HAA26131AR		
REF. No.	PART No.	DESCRIPTION
2	HAA483AT1	TANGENTIAL TRACK, INDOOR, RIGHT SIDE, RETURN
	HAA483AT2	TANGENTIAL TRACK, INDOOR, LEFT SIDE, RETURN
	HAA483AT3	TANGENTIAL TRACK, INDOOR, LEFT SIDE, PASSENGER
	HAA483AT4	TANGENTIAL TRACK, INDOOR, RIGHT SIDE, PASSENGER
	HAA483AT5	TANGENTIAL TRACK, OUTDOOR, RIGHT SIDE, RETURN
	HAA483AT6	TANGENTIAL TRACK, OUTDOOR, LEFT SIDE, RETURN
	HAA483AT7	TANGENTIAL TRACK, OUTDOOR, LEFT SIDE, PASSENGER
	HAA483AT8	TANGENTIAL TRACK, OUTDOOR, RIGHT SIDE, PASSENGER
3	XAA483VP1	STEP ROLLER RETURN, INDOOR, LEFT SIDE
	XAA483VP2	STEP ROLLER RETURN, INDOOR, RIGHT SIDE
	XAA483VP3	STEP ROLLER RETURN, OUTDOOR, LEFT SIDE
	XAA483VP4	STEP ROLLER RETURN, OUTDOOR, RIGHT SIDE

**ESCALATOR
UPPER TRACK SYSTEM**

**Spare Parts Leaflet
51-HAA26131AR**



HAA26131AR		
REF. No.	PART No.	DESCRIPTION
4	HAA272MC1	ANGLE, STEP WIDTH 1000 - INDOOR
	HAA272MC 2	ANGLE, STEP WIDTH 1000 - OUTDOOR
	HAA272MC 3	ANGLE, STEP WIDTH 800 - INDOOR
	HAA272MC 4	ANGLE, STEP WIDTH 800 - OUTDOOR
	HAA272MC 5	ANGLE, STEP WIDTH 600 - INDOOR
	HAA272MC 6	ANGLE, STEP WIDTH 600 - OUTDOOR